

THIS DRAWING IS UNPUBLISHED.		RELEASED FOR PUBLICATION		EC	LOC	DIST	REVISIONS					
© COPYRIGHT - By -		ALL RIGHTS RESERVED.		-	-	-	P	LTR	DESCRIPTION	DATE	DWN	APVD
								A1	REVISED PER ECO-11-005150	19MAR11	RK	HMR

5. ITEMS PROVIDED TO THIS SPECIFICATION TO BE PERMANENTLY IDENTIFIED PER THE FOLLOWING IDENTIFIER:

TE CONNECTIVITY PART NUMBER DATE CODE (e.g. 0625) YEAR WEEK  
 XXXXXXXX-X XXXX

4. ALL DIMENSIONS SHOWN ACROSS A CENTERLINE (∅) SHALL BE CENTRALIZED WITHIN THE TOLERANCE INDICATED FOR THAT DIMENSION.


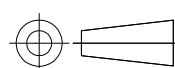
3. FINISHES:  
 CROWN HOLDER: GOLD PLATED, .000030 MIN THICK WITH OVERALL GOLD FLASH  
 OVER NICKEL PLATED, .000040 MIN THICK

2. MATERIALS:  
 INSULATOR: THERMOPLASTIC, GLASS REINFORCED, UL94V-0 FLAMMABILITY RATED, COLOR-BLACK  
 CROWN HOLDER: COPPER ALLOY  
 CROWN BAND: COPPER ALLOY  
 MATING BLADE: COPPER ALLOY WITH GOLD OR NICKEL PLATED

1. PART NUMBER CHANGES AND OR DESIGN CHANGES AFFECTING ITEM INTERCHANGEABILITY REQUIRE PRIOR ELCON APPROVAL AND AUTHORIZATION BY REVISION TO THIS DRAWING.

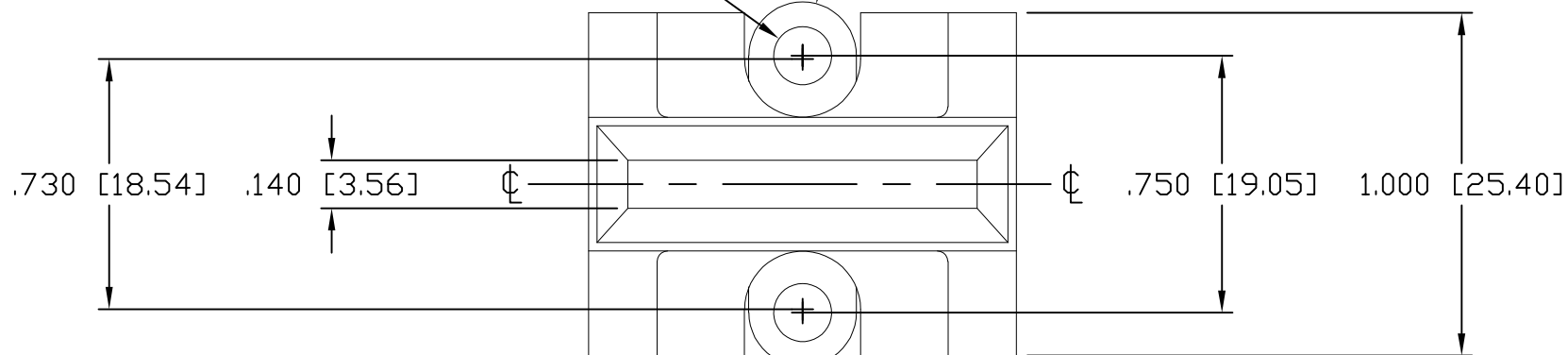
NOTES: UNLESS OTHERWISE SPECIFIED

1643906-1	AS SHOWN
PART NUMBER	DESCRIPTION

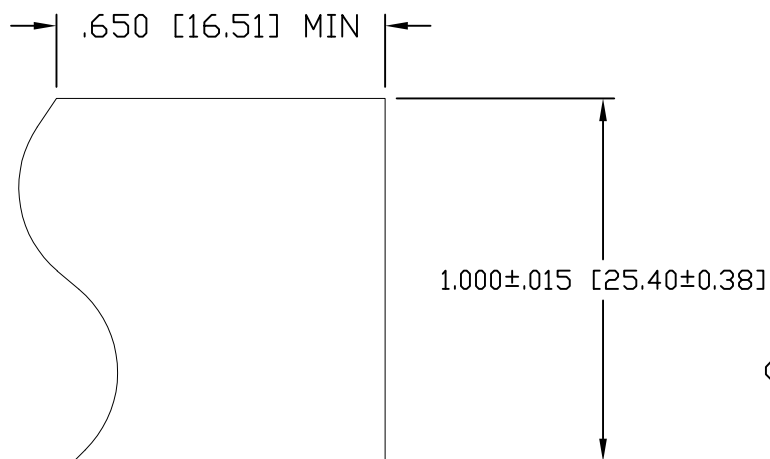
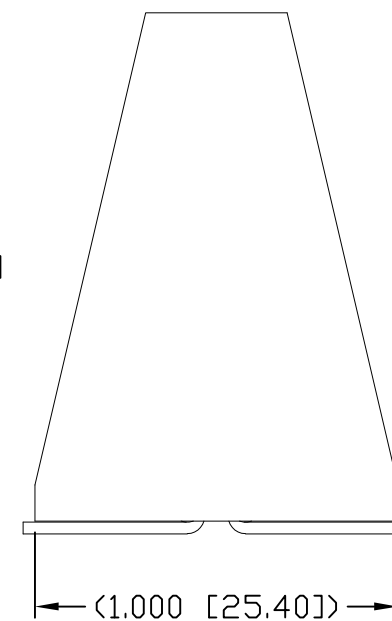
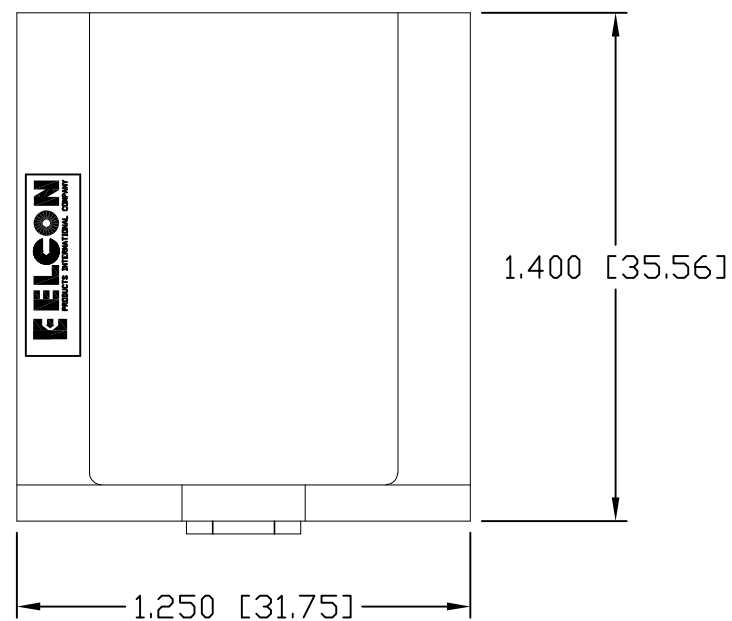
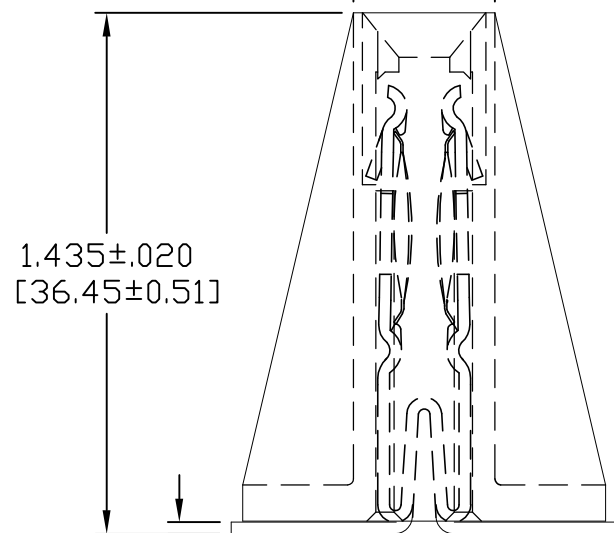
THIS DRAWING IS A CONTROLLED DOCUMENT.		DWN	02/25/06	 TE Connectivity				
		HA NGUYEN	-					
DIMENSIONS: INCH(MM)		TOLERANCES UNLESS OTHERWISE SPECIFIED:	APVD	02/25/06	NAME			
		0 PLC ± -	STEVE FLICKINGER		CONNECTOR, CROWN CLIP SINGLE POLE APPLICATION			
		1 PLC ± -	PRODUCT SPEC					
		2 PLC ± 0.02(0.3)	APPLICATION SPEC					
		3 PLC ± 0.10(0.25)			SIZE	CAGE CODE	DRAWING NO	RESTRICTED TO
		4 PLC ± -			A3	00779	C-1643906	-
		ANGLES ± 0.5°						
MATERIAL		FINISH	WEIGHT		CUSTOMER DRAWING			SCALE
								2:1
								SHEET
								1 OF 2
								REV
								A1

2X  $\phi$ .170 [ $\phi$ 4.32]  
 (CLEARANCE FOR  
 #8 OR M4 SCREW)

2X R.157 [R3.99]



.390 [9.91] 2X .340 [8.64]



.125±.002 [3.17±0.05] SCREWS ARE SHOWN FOR REFERENCE ONLY

BACKPLANE ATTACHMENT

RECOMMENDED MATING BLADE

THIS DRAWING IS A CONTROLLED DOCUMENT.		DWN HA NGUYEN 02/25/06	<b>STE</b> TE Connectivity		
DIMENSIONS: INCH(MM)		CHK -			
		TOLERANCES UNLESS OTHERWISE SPECIFIED:		APVD STEVE FLICKINGER 02/25/06	
		0 PLC ± - 1 PLC ± - 2 PLC ± 0.02(0.3) 3 PLC ± 0.10(0.25) 4 PLC ± - ANGLES ± 0.5°		PRODUCT SPEC	
MATERIAL		FINISH		APPLICATION SPEC	
-		-		-	
CUSTOMER DRAWING			SIZE A3	CAGE CODE 00779	DRAWING NO C-1643906
			SCALE 2:1	SHEET 2 OF 2	RESTRICTED TO -
			REV A1		