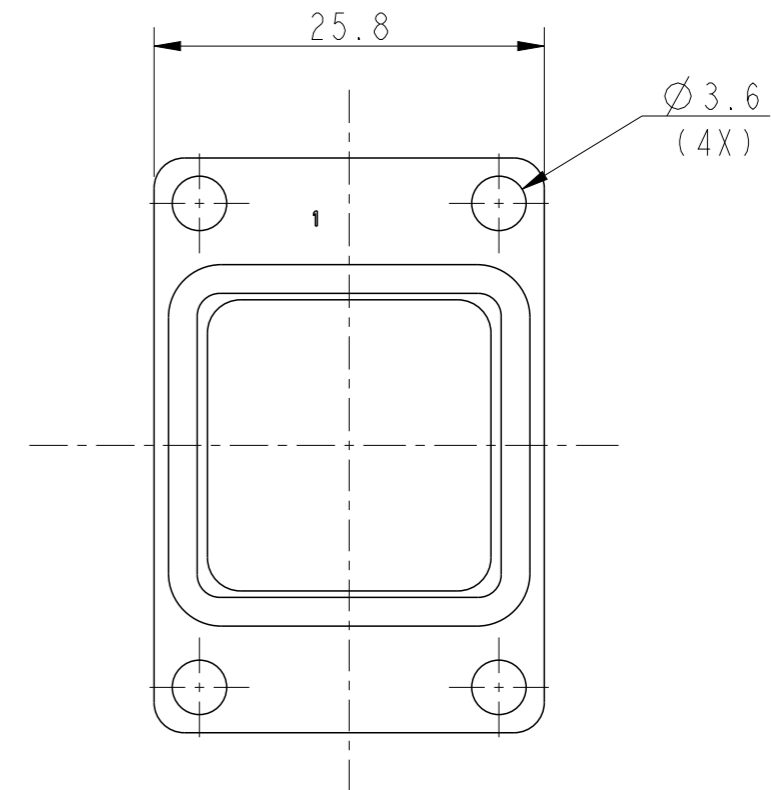
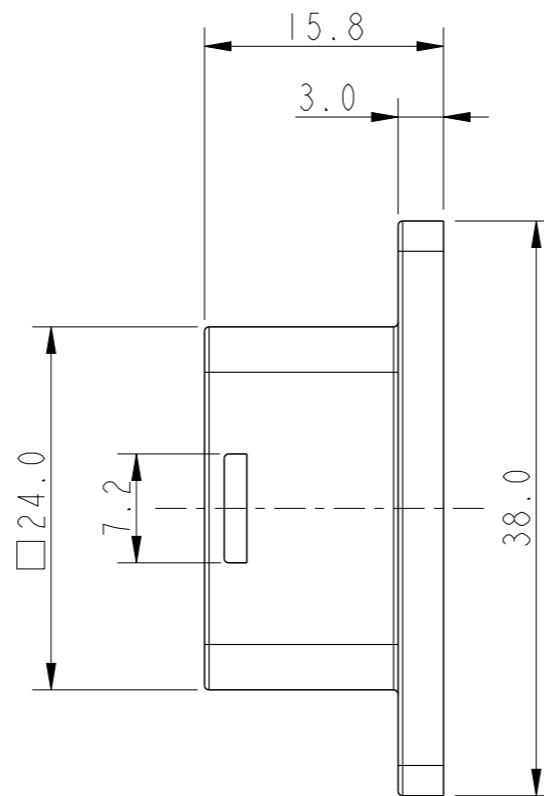
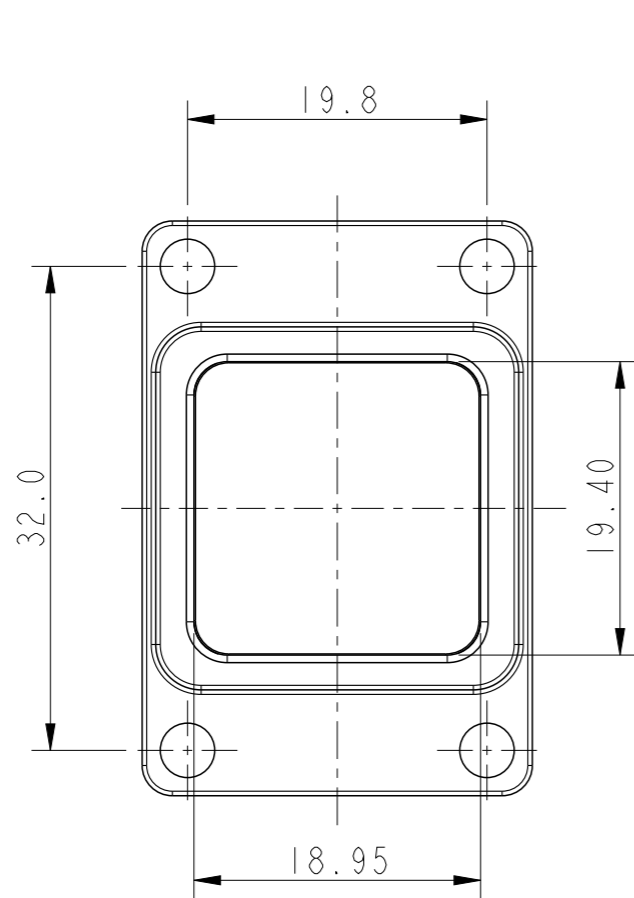
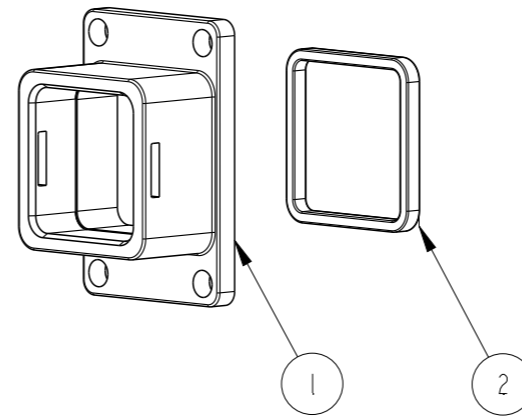


PART NUMBER  
10140957-101LF

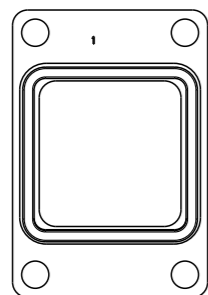
SL NO	DESCRIPTION	MATERIAL
1	SCREWABLE RECEPTACLE BODY	PLASTIC
2	PANEL SEALING GASKET	SILICONE



NOTES :-

- SCREWS TO BE USED ARE M3 X 6MM; MATERIAL-STAINLESS STEEL
- CASTED MOUNTING PANEL SHOULD HAVE ON ITS REAR SIDE AN INTEGRAL RECTANGULAR REINFORCED RIBS OF 3MM THICKNESS AND 4MM WIDTH ALONG THE MOUNTING SCREW PLANE AT THE TOP AND BOTTOM TO ACCOMODATE THE BLIND INTERNAL SCREW THREAD

PACKING CONFIGURATION  
(ASSEMBLED FORM)



spec ref	-	dr	Jibin John	2017/09/26	projection	MM	size	A3	scale	2:1
tolerance std	ISO 406 ISO 1101	eng	B T Varghese	2017/10/20			ecn no		rel level	
TOLERANCES UNLESS OTHERWISE SPECIFIED		chr	-	-			-		Released	
surface	linear	appr	K-Paul Biju	2017/10/20	product family	VERIO	rel level		Released	
	0.X	±0.3	<b>Amphenol FCI</b>	BULKHEAD VERIO, PITCH 26MM	cat. no.	Product - Customer Drw	dwg no		10140957	
	0.XX	±0.10					rev		A	
	0.XXX	±0.05					sheet 1 of 1			
ISO 1302	angular	0°	±2°							