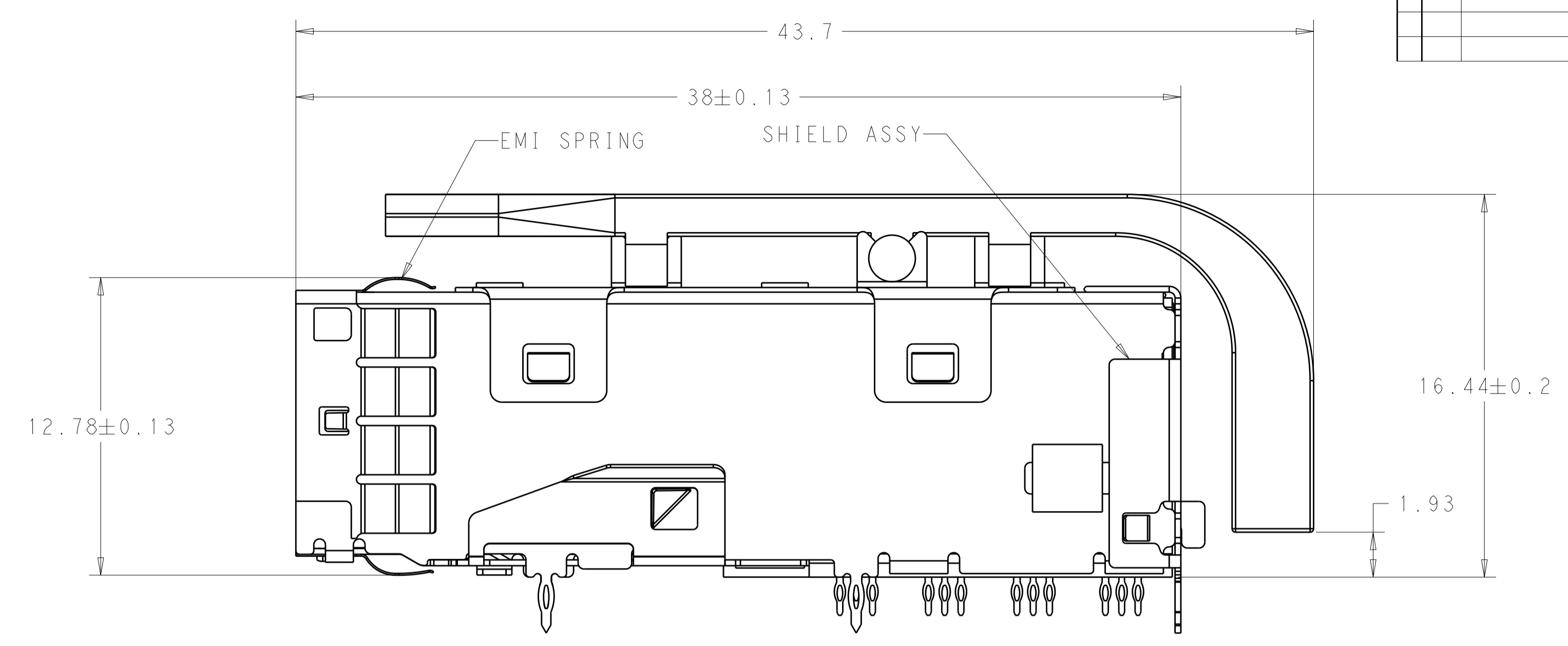
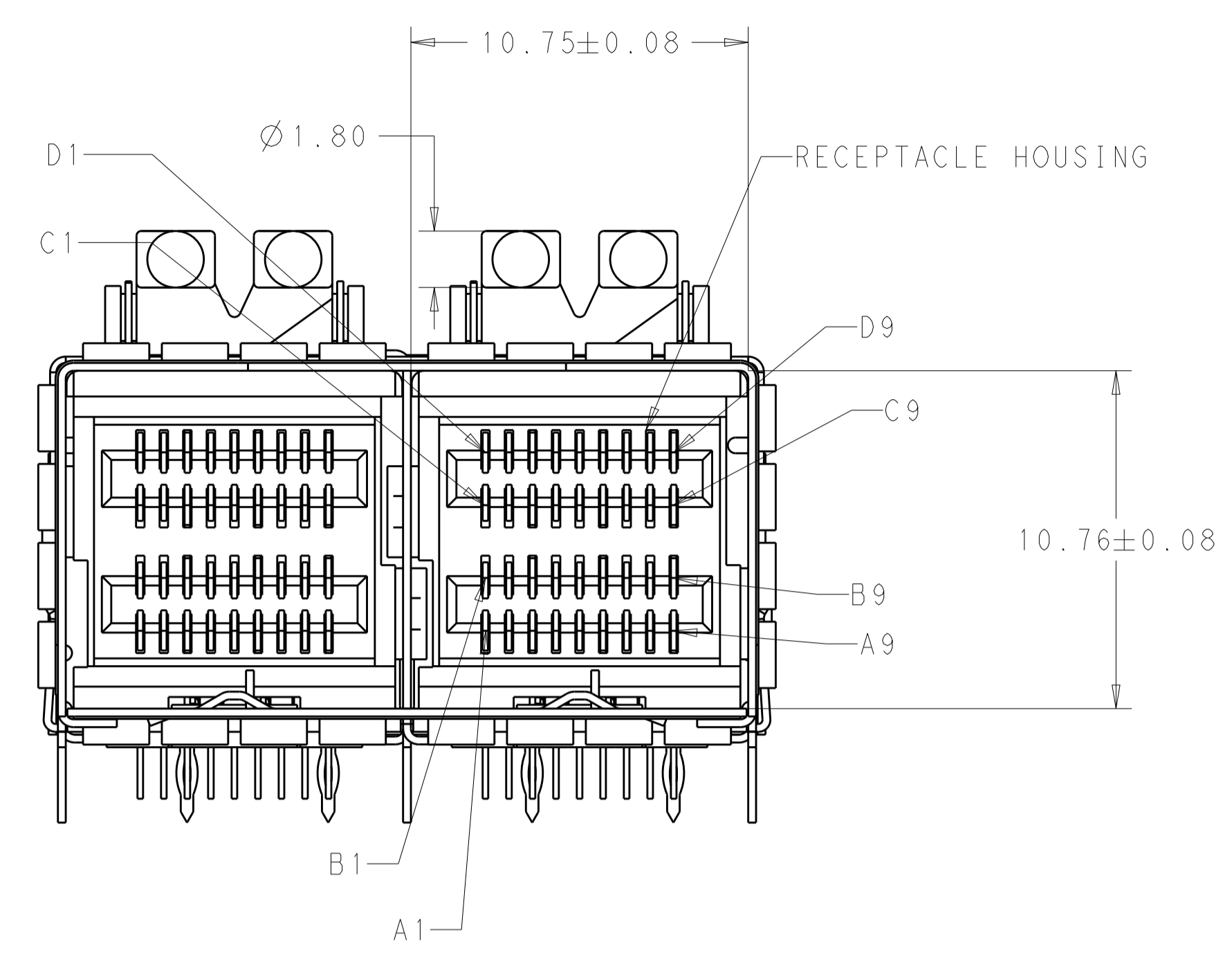
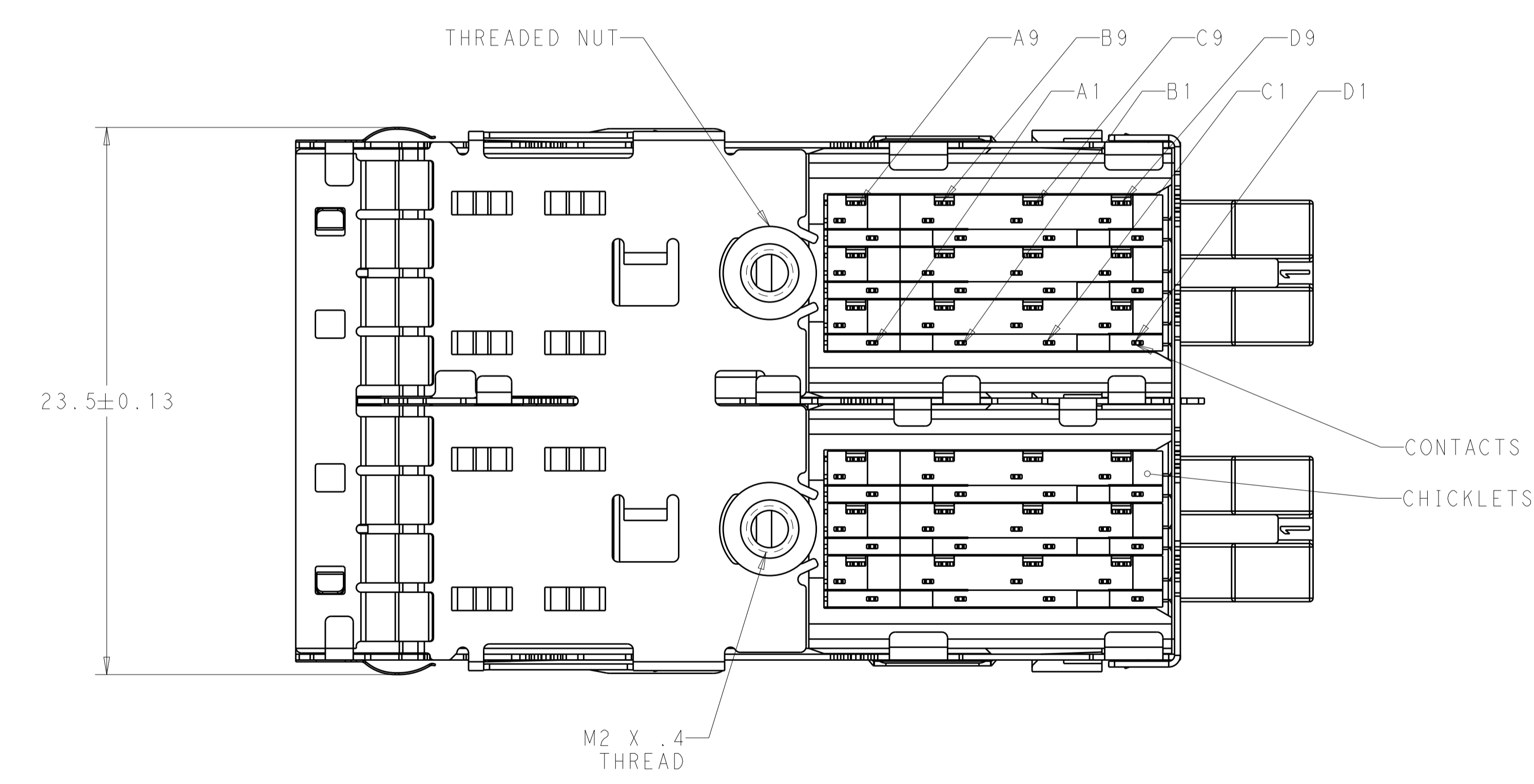


LOC		DIST		REVISIONS			
P	LTN	DESCRIPTION	DATE	DMN	APVD		
4		REVISED	21DEC2012	MEC	JS		



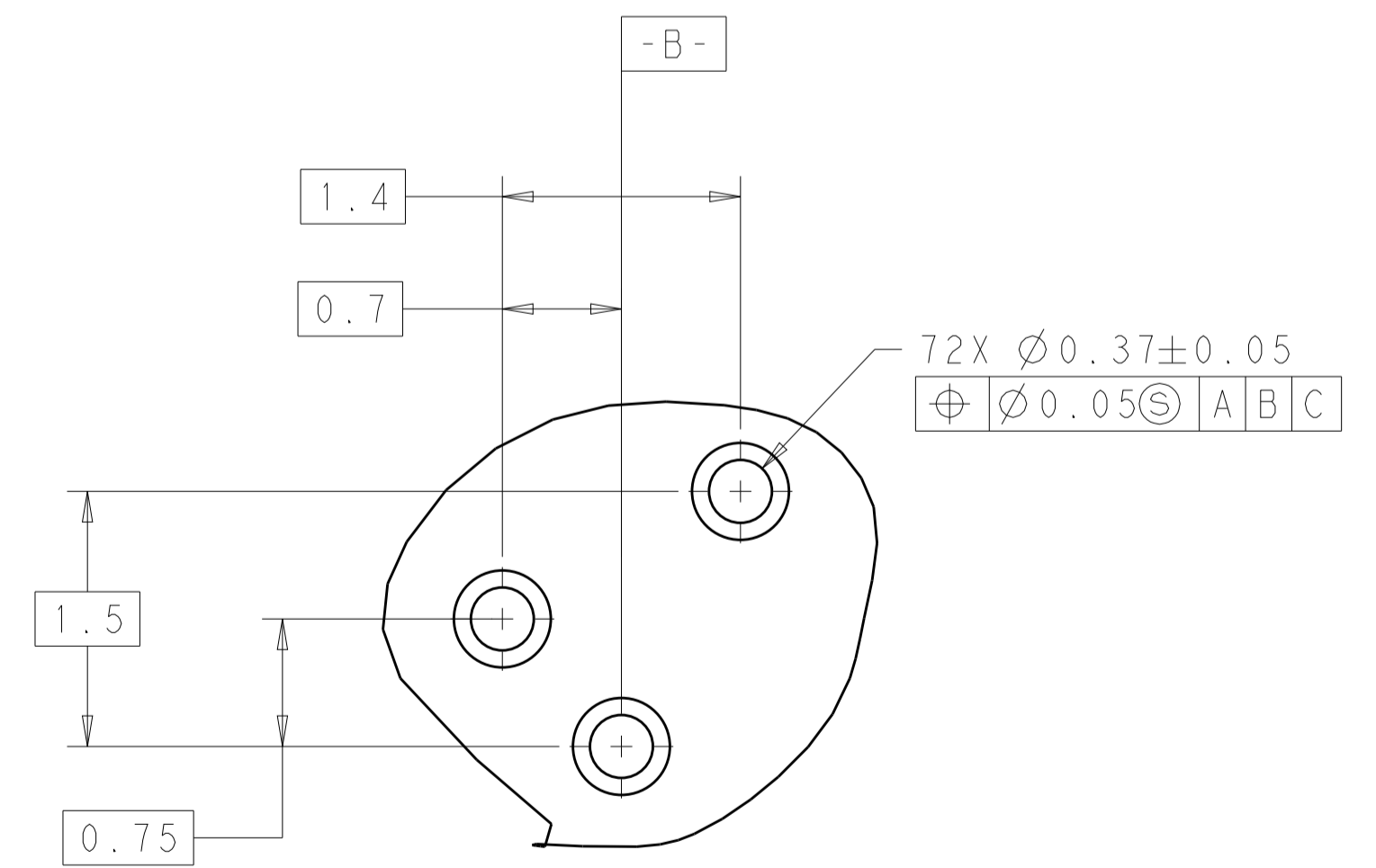
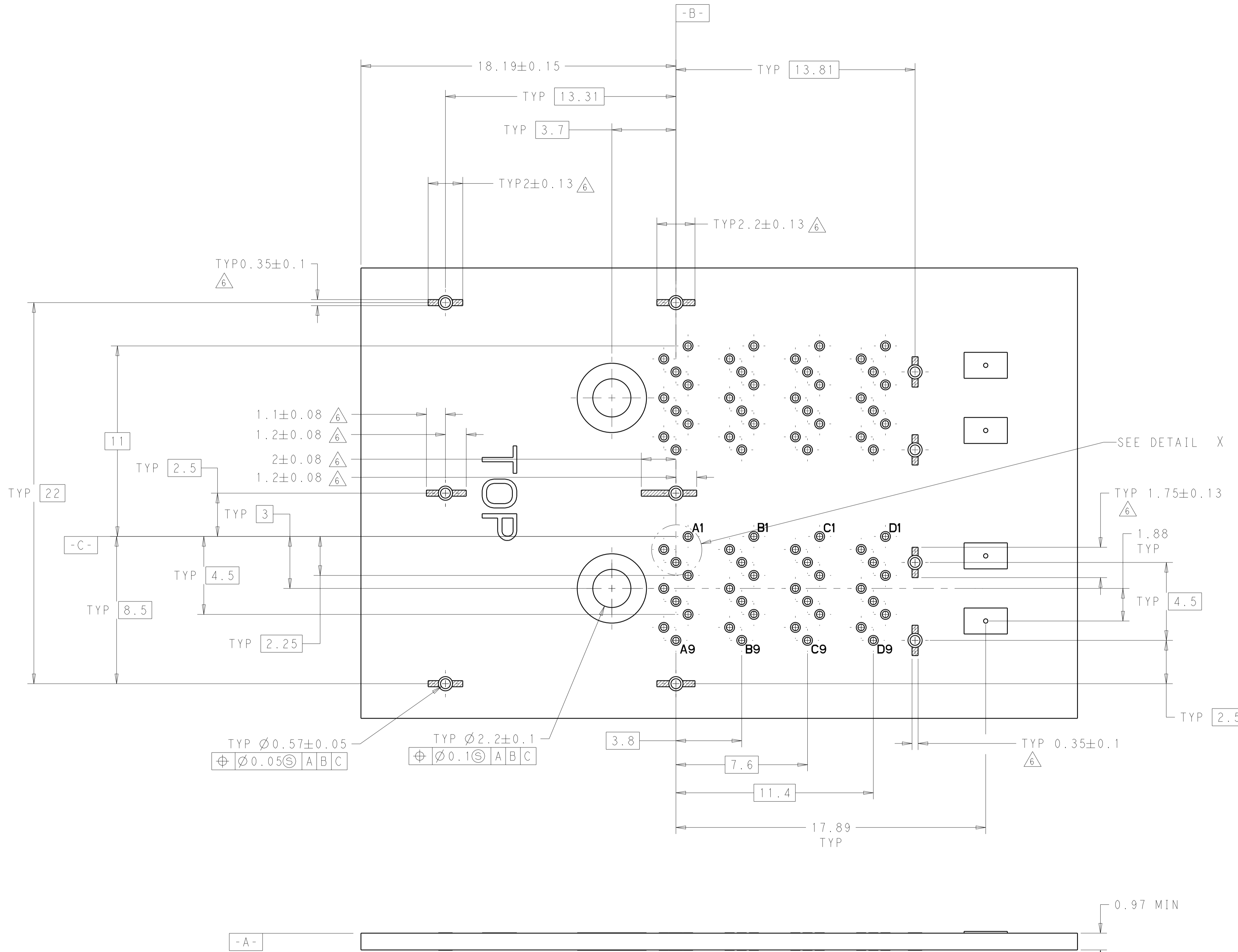
- MATERIALS**
 RECEPTACLE HOUSING: LCP, BLACK, UL94V-0 RATED
 SHIELD ASSY: NICKEL-SILVER COPPER ALLOY
 CONTACTS: COPPER ALLOY
 EMI SPRING: COPPER ALLOY
 THREADED NUT: BRASS
 CHICKLETS: LCP, BLACK, UL 94V-0 RATED
 LIGHTPIPE CLIP: STAINLESS STEEL
 LIGHTPIPE: POLYCARBONATE
 - FINISH**
 EMI SPRING: TIN PLATE OVER NICKEL PLATE
 NON-PLATED EDGES PERMISSABLE
 THREADED NUT: NICKEL PLATE
3. CONTACT FINISH: CONFORMS TO THE REQUIREMENTS OF TE PRODUCT SPECIFICATION, 108-2462. BASED ON EIA/ECA-364-1000.01A. (CONTROLLED ENVIRONMENT APPLICATIONS) ON MATING END. TIN PLATED ON PCB TAIL
4. THREAD LENGTH OF FASTENER = PCB THICKNESS+1.45 MAX
5. THIS PRODUCT HAS NOT COMPLETED VALIDATION/QUALIFICATION TESTING
6. RECOMMENDED TRACE KEEP OUT ZONE



2198483-1
 PART NUMBER

THIS DRAWING IS A CONTROLLED DOCUMENT.		DMN: J. SECHRIST 15NOV2011	TE Connectivity RECEPTACLE ASSEMBLY, MINI-SAS HD, 2X W/ LIGHT PIPES
DIMENSIONS: mm		CHK: J. SECHRIST 15NOV2011	
TOLERANCES UNLESS OTHERWISE SPECIFIED: 0 PLC ± .25 1 PLC ± 0.13 2 PLC ± .13 3 PLC ± .13 4 PLC ± .13 ANGLES ± .13 FINISH -		PRODUCT SPEC: 108-2462 APPLICATION SPEC: 114-13316 WEIGHT: - CUSTOMER DRAWING: -	NAME: - SIZE: A1 CAGE CODE: 00779 DRAWING NO: 2198483 SCALE: 6:1 SHEET: 1 OF 3 REV: 4

LOC	DIST	REVISIONS			
P	LTN	DESCRIPTION	DATE	DWN	APVD
-	-	SEE SHEET 1	-	-	-

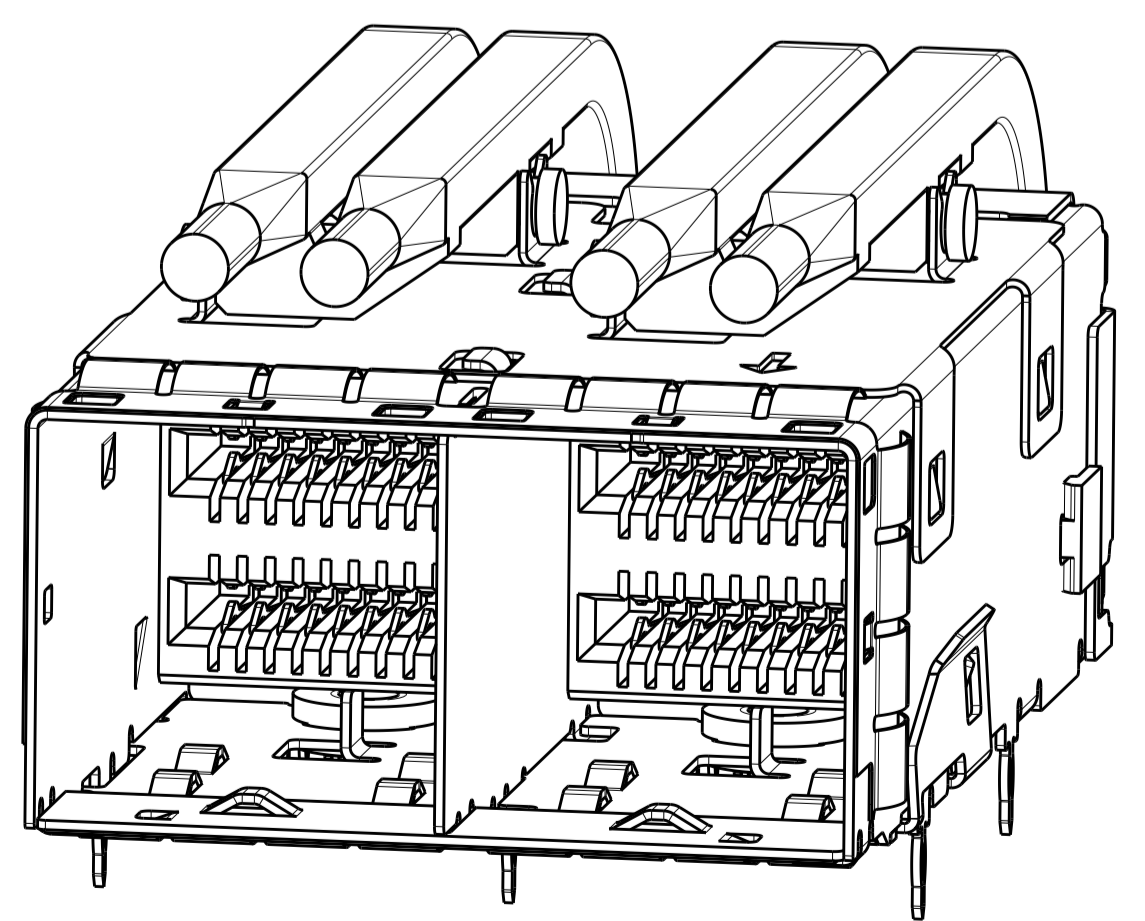
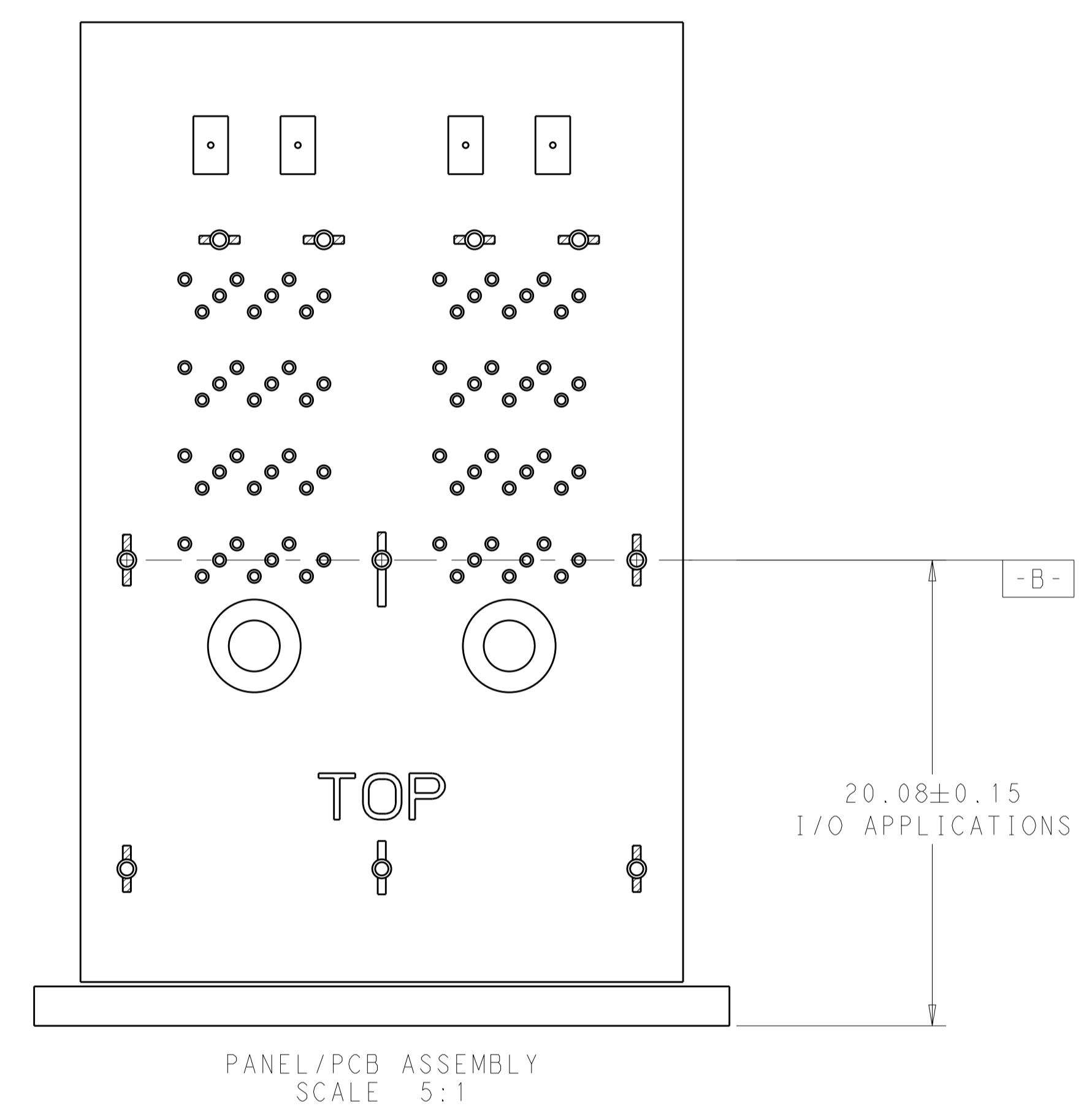
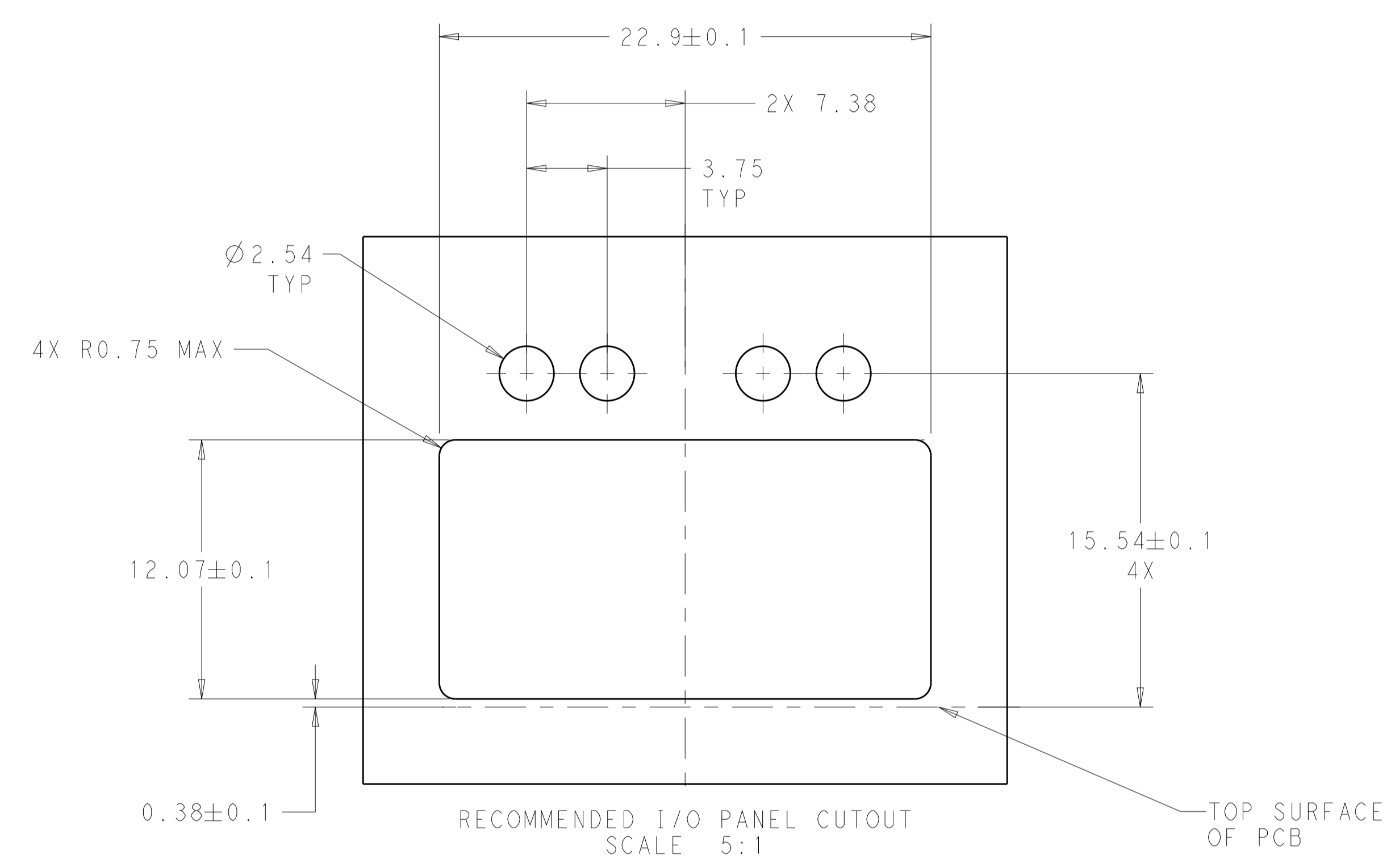


DETAIL X
 SCALE 25:1

RECOMMENDED PCB LAYOUT

THIS DRAWING IS A CONTROLLED DOCUMENT.		DWN J. SECHRIST 15NOV2011	TE Connectivity
DIMENSIONS: mm		CHK J. SECHRIST 15NOV2011	
TOLERANCES UNLESS OTHERWISE SPECIFIED: 0 PLC ± 1 PLC ±0.25 2 PLC ±0.13 3 PLC ± 4 PLC ± ANGLES ± FINISH ±		APVD -	NAME
MATERIAL		PRODUCT SPEC 108-2462	RECEPTACLE ASSEMBLY, MINI-SAS HD, 2X W/ LIGHT PIPES
		APPLICATION SPEC 114-13316	SIZE CAGE CODE DRAWING NO. RESTRICTED TO
		WEIGHT	A100779C=2198483
		CUSTOMER DRAWING	SCALE 6:1 SHEET 2 OF 3 REV 4

LOC	DIST	REVISIONS			
P	LTN	DESCRIPTION	DATE	DWN	APVD
-	-	SEE SHEET 1	-	-	-



THIS DRAWING IS A CONTROLLED DOCUMENT.		DWN: J. SECHRIST 15NOV2011	
DIMENSIONS: mm		CHK: J. SECHRIST 15NOV2011	
TOLERANCES UNLESS OTHERWISE SPECIFIED:		APVD: -	NAME: RECEPTACLE ASSEMBLY, MINI-SAS HD, 2X W/ LIGHT PIPES
0 PLC	±	PRODUCT SPEC	SIZE: CAGE CODE DRAWING NO
1 PLC	±0.25	108-2462	RESTRICTED TO
2 PLC	±0.13	APPLICATION SPEC	A100779C=2198483
3 PLC	±	114-13316	SCALE: 6:1 SHEET 3 OF 3 REV 4
4 PLC	±	WEIGHT	
ANGLES	±	CUSTOMER DRAWING	
MATERIAL	FINISH		