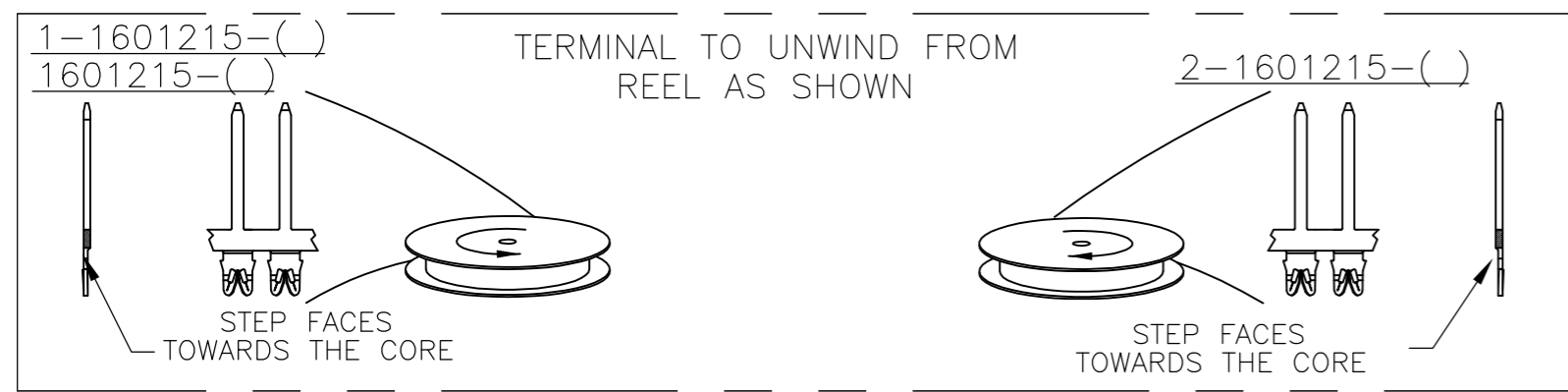
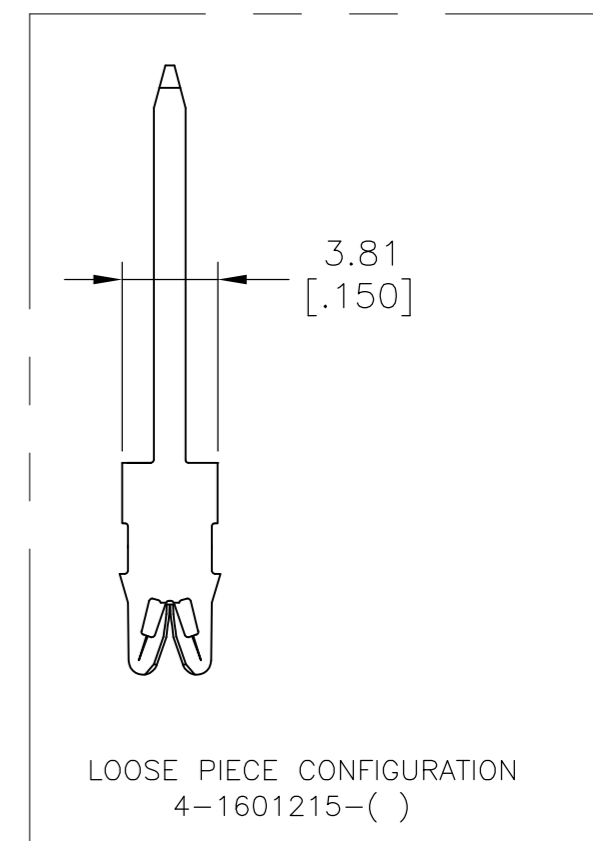
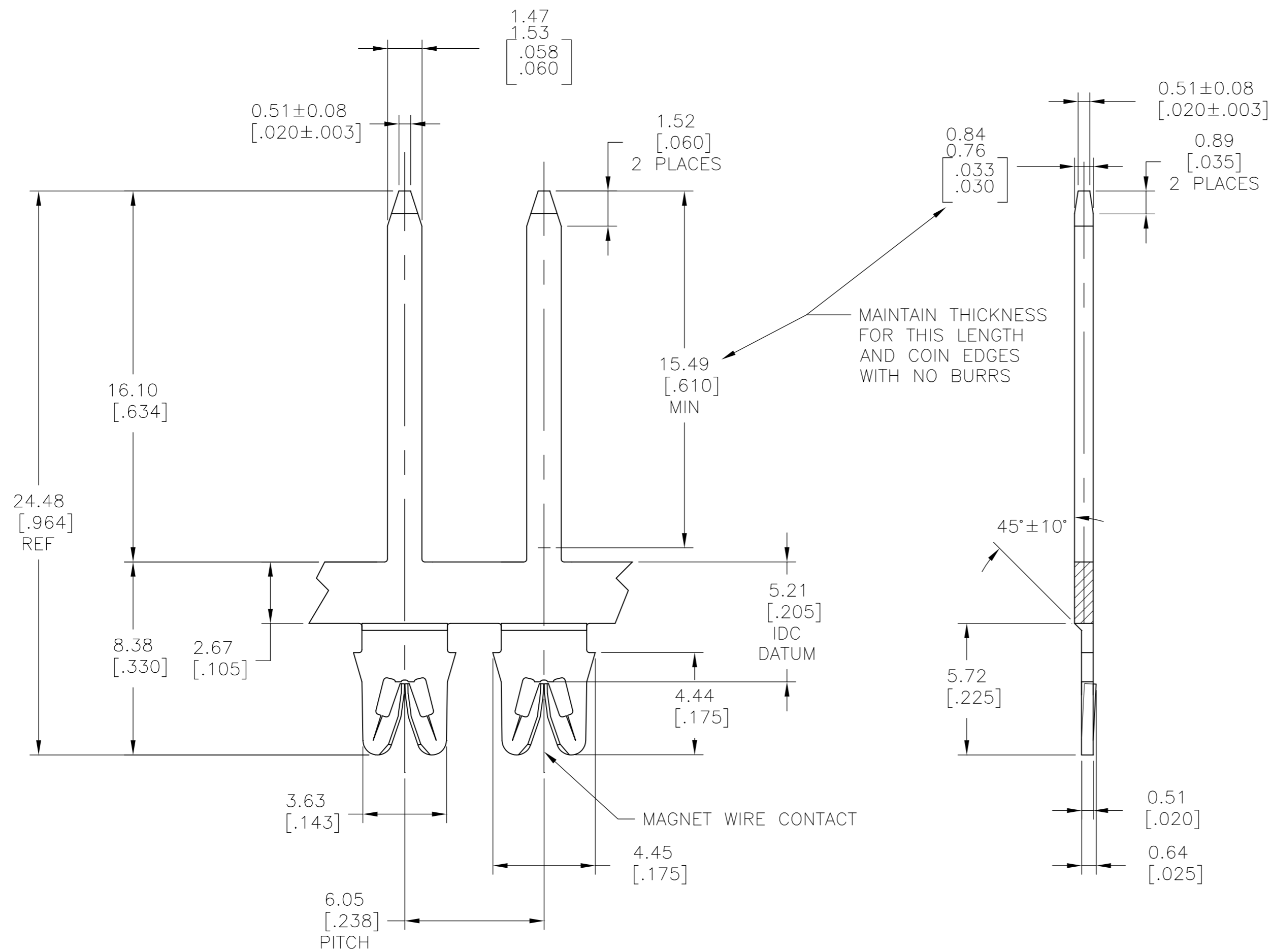


THIS DRAWING IS UNPUBLISHED. RELEASED FOR PUBLICATION
 © COPYRIGHT - By - ALL RIGHTS RESERVED.

LOC	DIST	REVISIONS			
P	LTR	DESCRIPTION	DATE	DWN	APVD
AF	50				
	A6	REVISED PER ECR-15-006824	05MAY2015	GRZ	JL

- 1 SPECIFICATIONS: MAGNET WIRE #34-#18 AWG 0.16[.006]-1.02[.040] DIA COPPER.
- 2 POCKET RECOMMENDATION: 1601431.
- 3 TERMINAL APPLICATION TO COMPLY WITH TYCO ELECTRONICS SPECIFICATION NUMBER 114-13166 FIGURE 10.
- 4 POST TIN PLATE
- 5 PRELIMINARY - NOT FOR PRODUCTION.
- 6 TWO(2) TERMINALS SHOWN FOR ILLUSTRATION PURPOSES ONLY.
- 7 MAXIMUM OF 1 SPLICE PER REEL.
- 8 PLASTIC REEL AND PLASTIC INTERLEAVING



8	7	4	1-1601215-2
N/A		4	5 4-1601215-2
7		4	5 2-1601215-2
7		4	1601215-2
SPECIAL PACKAGING		FINISH	PART NUMBER

THIS DRAWING IS A CONTROLLED DOCUMENT.		DWN KIRAN HOLAL 14DEC2011	TE Connectivity	
DIMENSIONS: mm [INCHES]		CHK GENE JACONO 14DEC2011		
TOLERANCES UNLESS OTHERWISE SPECIFIED:		APVD GENE JACONO 14DEC2011	NAME	
0 PLC ± -		PRODUCT SPEC	STANDARD RANGE WIRE TO	
1 PLC ± -		APPLICATION SPEC	1.50 x 0.81 TAB	
2 PLC ± 0.13[.005]			SIAMEZE TERMINAL	
3 PLC ± -			SIZE	CAGE CODE
4 PLC ± -			A2	00779
ANGLES ± 2°			DRAWING NO	RESTRICTED TO
MATERIAL BRASS 3/4 HARD	FINISH SEE TABLE	WEIGHT -	C=1601215	-
CUSTOMER DRAWING			SCALE 6:1	SHEET 1 OF 1
			REV A6	