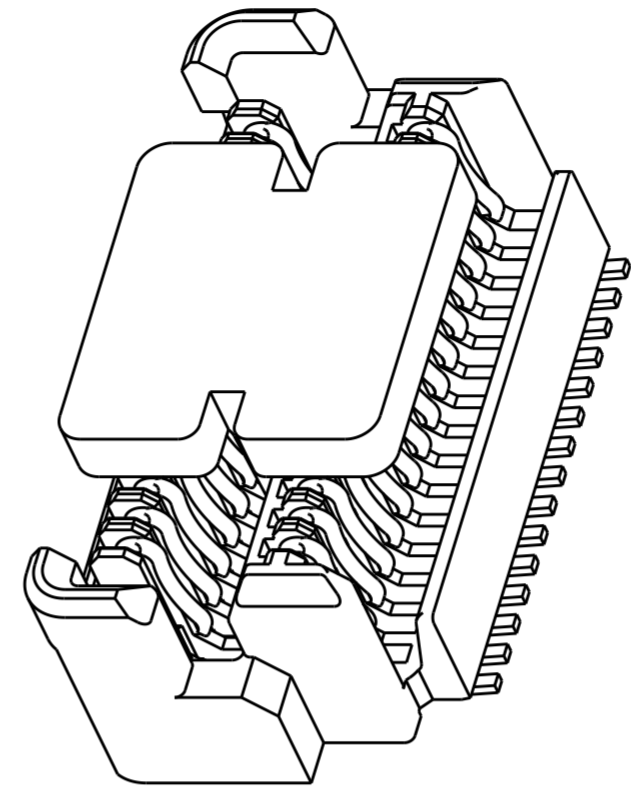
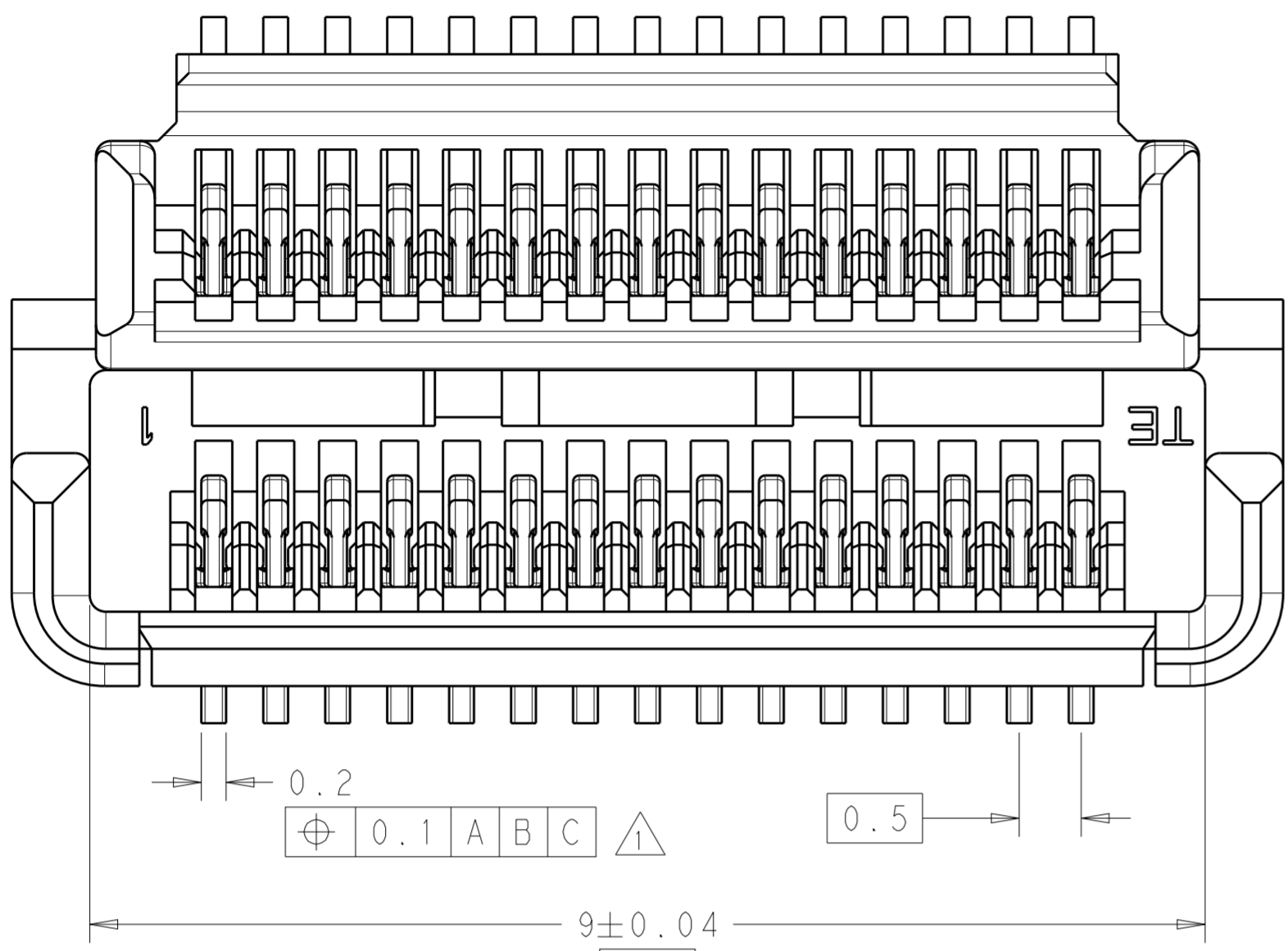


THIS DRAWING IS UNPUBLISHED. RELEASED FOR PUBLICATION
 © COPYRIGHT copyright.d8te- ALL RIGHTS RESERVED.

REVISIONS				
P	LTR	DESCRIPTION	DATE	APVD
A		NEW RELEASE	18MAY2017	B.J S.Y



NOTES:

1. MATERIALS:

HOUSING: L.C.P
 (HIGH TEMP THERMOPLASTIC)
 UL 94V-0

CAP: L.C.P (HIGH TEMP THERMOPLASTIC)
 UL 94V-0

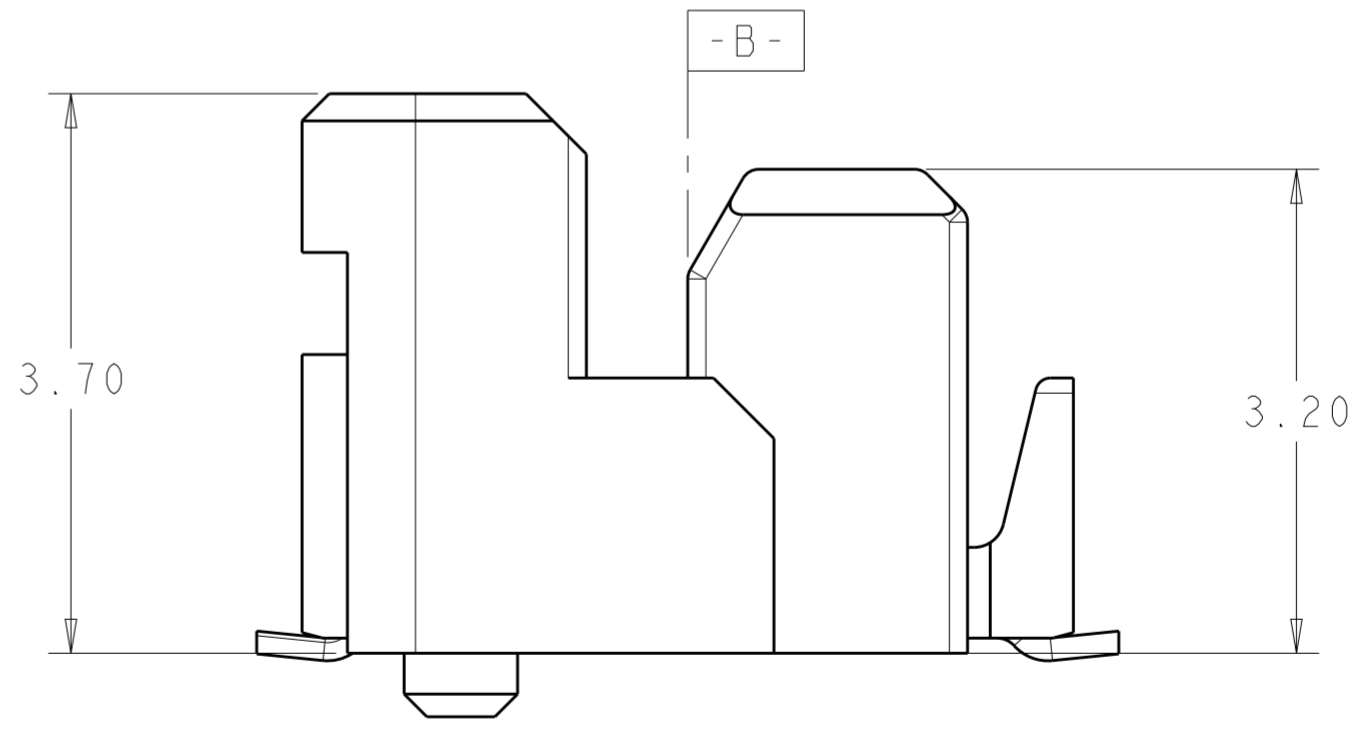
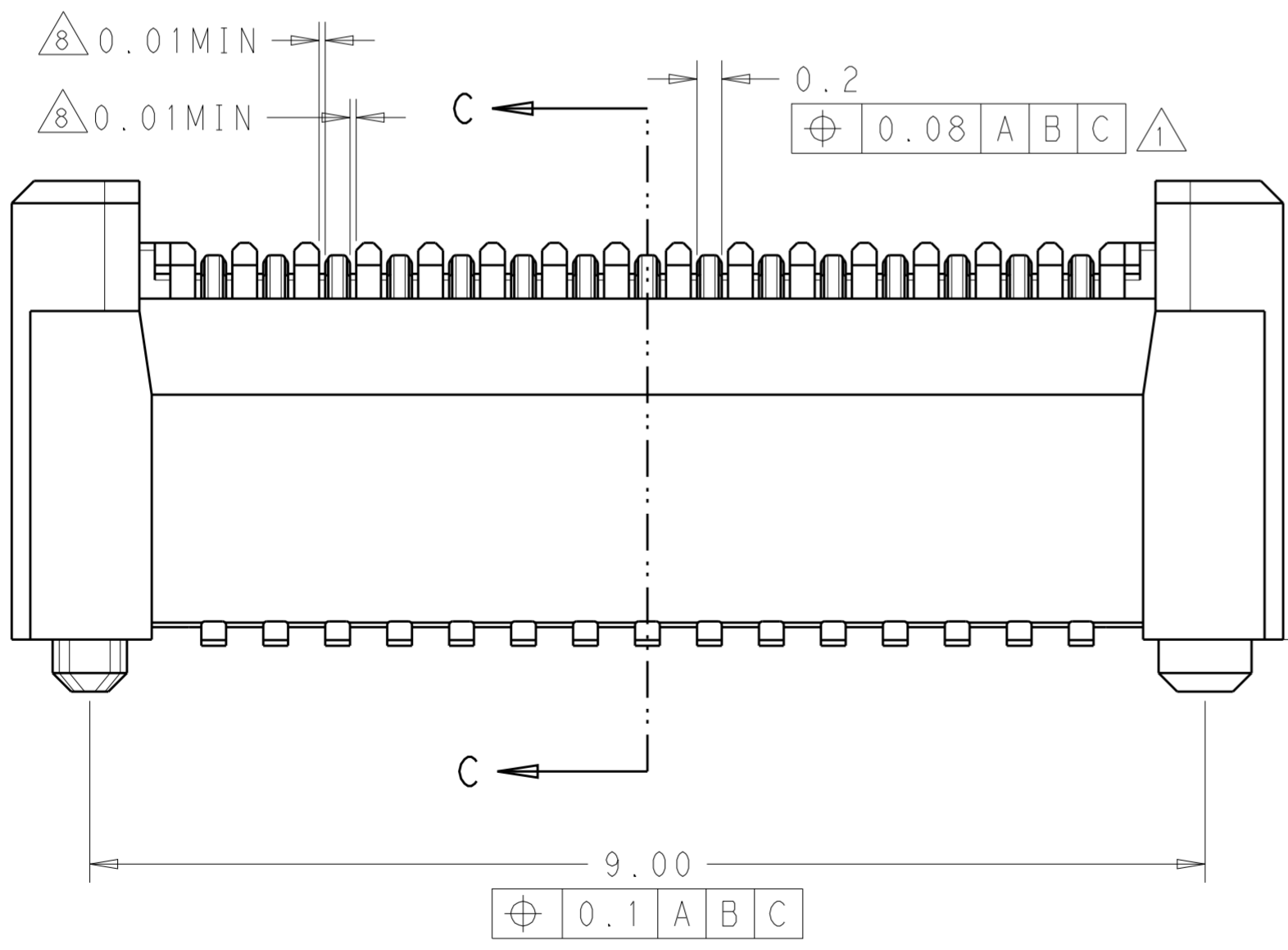
CONTACT: COPPER ALLOY

2. FINISH:

ENGAGEMENT AREA: 0.00038MM MIN GOLD

SOLDERING AREA: 0.00005MM MIN GOLD

UNDERPLATING: 0.00127MM MIN NICKEL
 ALL OVER

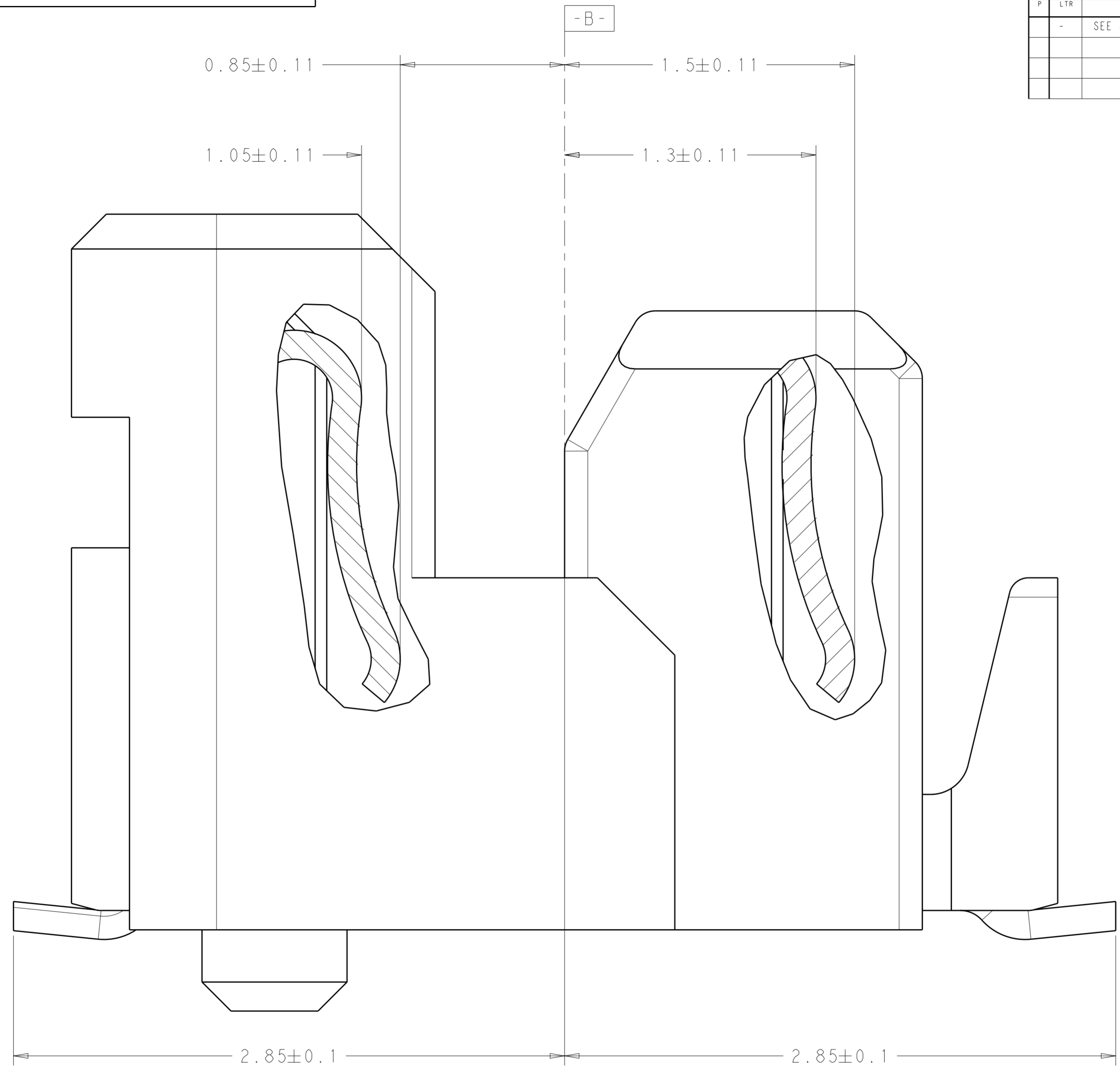


2291283-1 WITHOUT CAP

THIS DRAWING IS A CONTROLLED DOCUMENT.		DWN B.J	18MAY2017	 TE Connectivity	NAME 0.5MM FPH BTB CONN. 30POS 4MM MATING HEIGHT		
DIMENSIONS: mm		CHK A.S	18MAY2017		PRODUCT SPEC -	SIZE A2	CAGE CODE -
TOLERANCES UNLESS OTHERWISE SPECIFIED:		APVD S.Y	18MAY2017		APPLICATION SPEC -	DRAWING NO C-2291283	RESTRICTED TO -
0 PLC ± 1 PLC ±0.2 2 PLC ±0.08 3 PLC ± 4 PLC ± ANGLES ± FINISH -		WEIGHT -			CUSTOMER DRAWING	SCALE 10:1	SHEET 1 OF 5
MATERIAL -		finish_spec_2		REV A			

THIS DRAWING IS UNPUBLISHED. RELEASED FOR PUBLICATION
 © COPYRIGHT copyright.d8te- ALL RIGHTS RESERVED.

REVISIONS				
P	LTR	DESCRIPTION	DATE	APVD
-		SEE SHEET 1	-	-



SECTION C-C
 SCALE 60:1

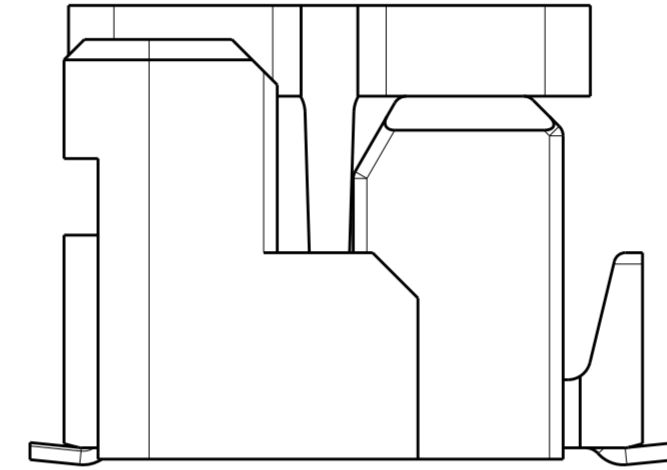
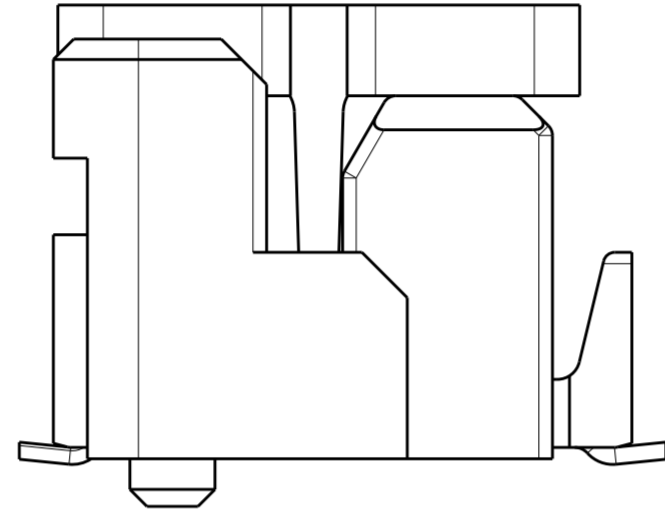
THIS DRAWING IS A CONTROLLED DOCUMENT.		DWN B.J.	18MAY2017	 TE Connectivity
		CHK A.S.	18MAY2017	
		APVD S.Y.	18MAY2017	
		PRODUCT SPEC	-	
DIMENSIONS: mm		TOLERANCES UNLESS OTHERWISE SPECIFIED: 0 PLC ± 1 PLC ±0.2 2 PLC ±0.08 3 PLC ± 4 PLC ± ANGLES ± FINISH ±		NAME 0.5MM FPH BTB CONN. 30POS 4MM MATING HEIGHT
MATERIAL - -		finish_spec_2		APPLICATION SPEC - WEIGHT - CUSTOMER DRAWING
		SIZE	A2	RESTRICTED TO
		CAGE CODE		
		DRAWING NO	C-2291283	
		SCALE	10:1	
		SHEET	2 OF 5	
		REV	A	

THIS DRAWING IS UNPUBLISHED. RELEASED FOR PUBLICATION
 © COPYRIGHT copyright.d8te- ALL RIGHTS RESERVED.

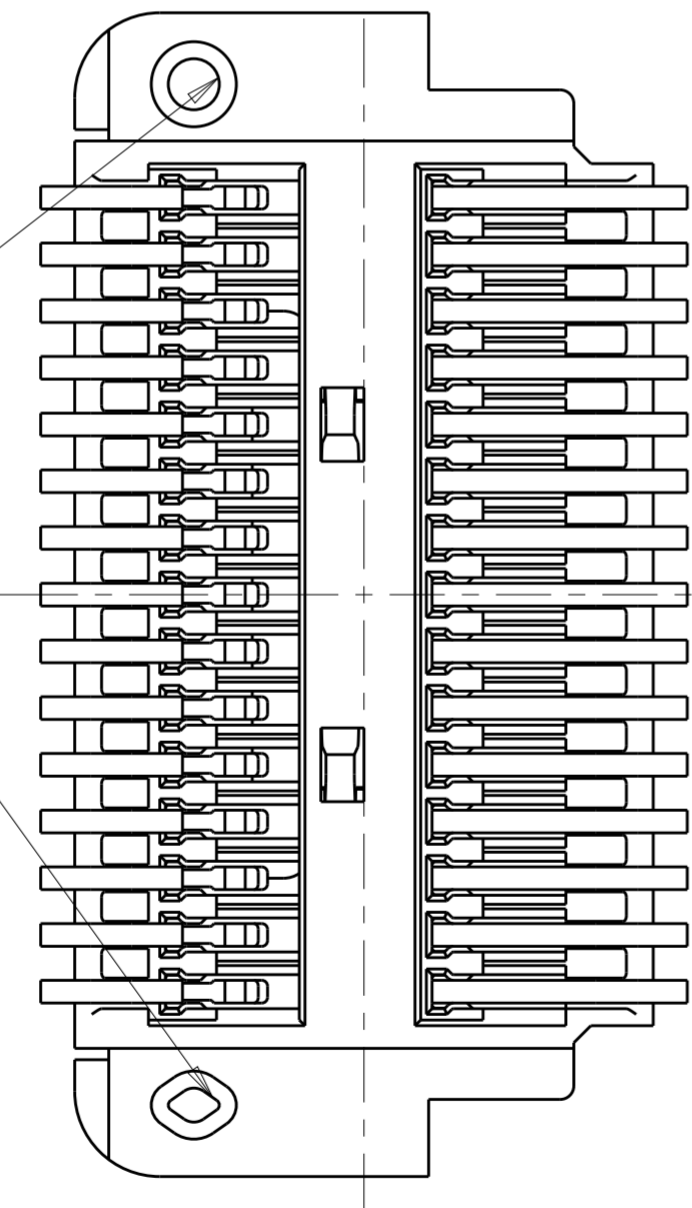
REVISIONS				
P	LTR	DESCRIPTION	DATE	APVD
-		SEE SHEET 1	-	-

2291283-1 WITH CAP
(WITH BOSS VERSION)

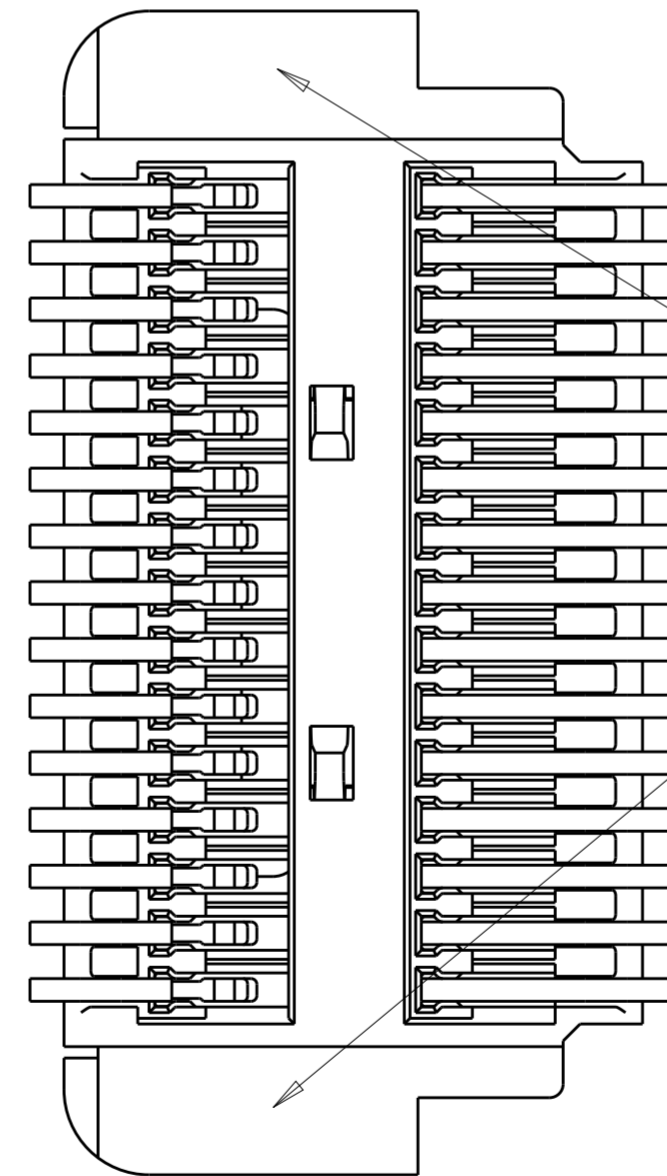
2291283-2 WITH CAP
(WITHOUT BOSS VERSION)




WITH POST



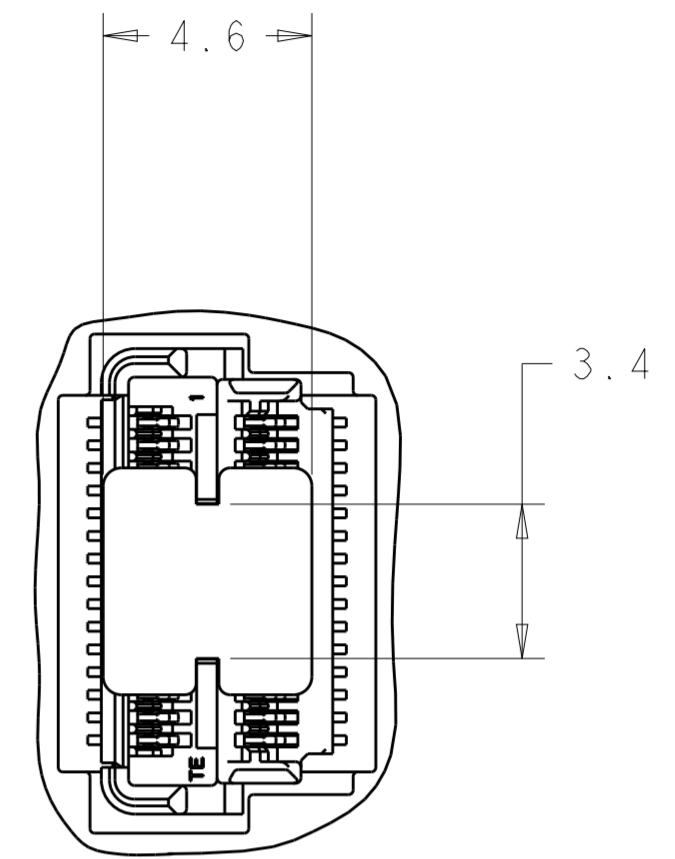
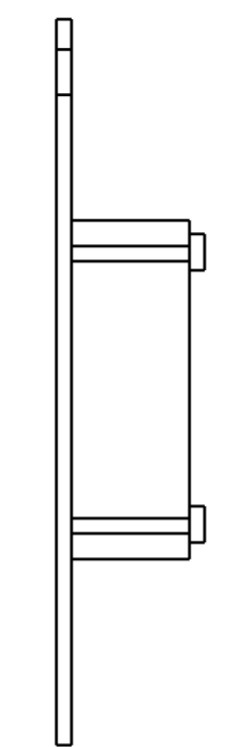
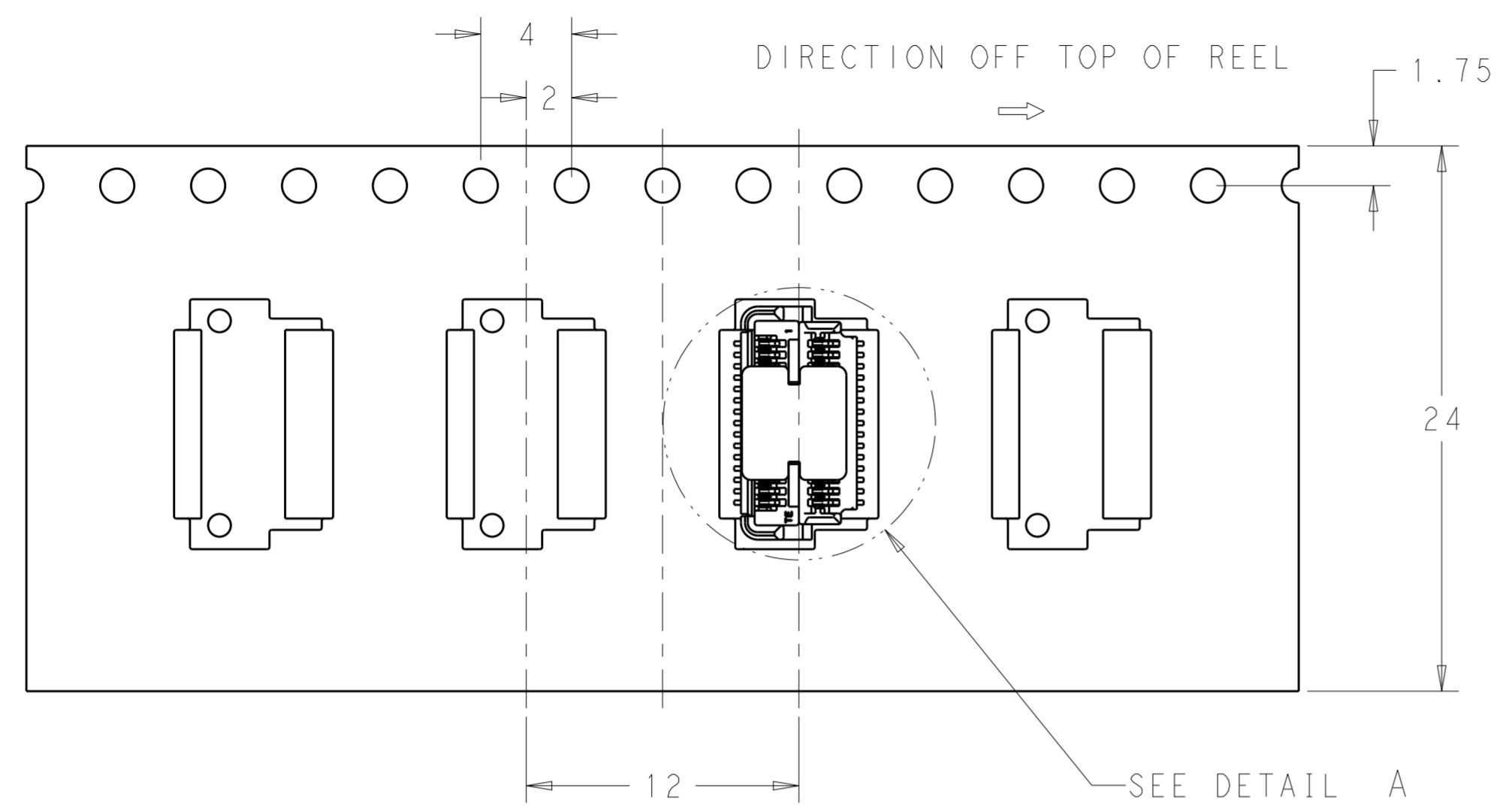
WITHOUT POST



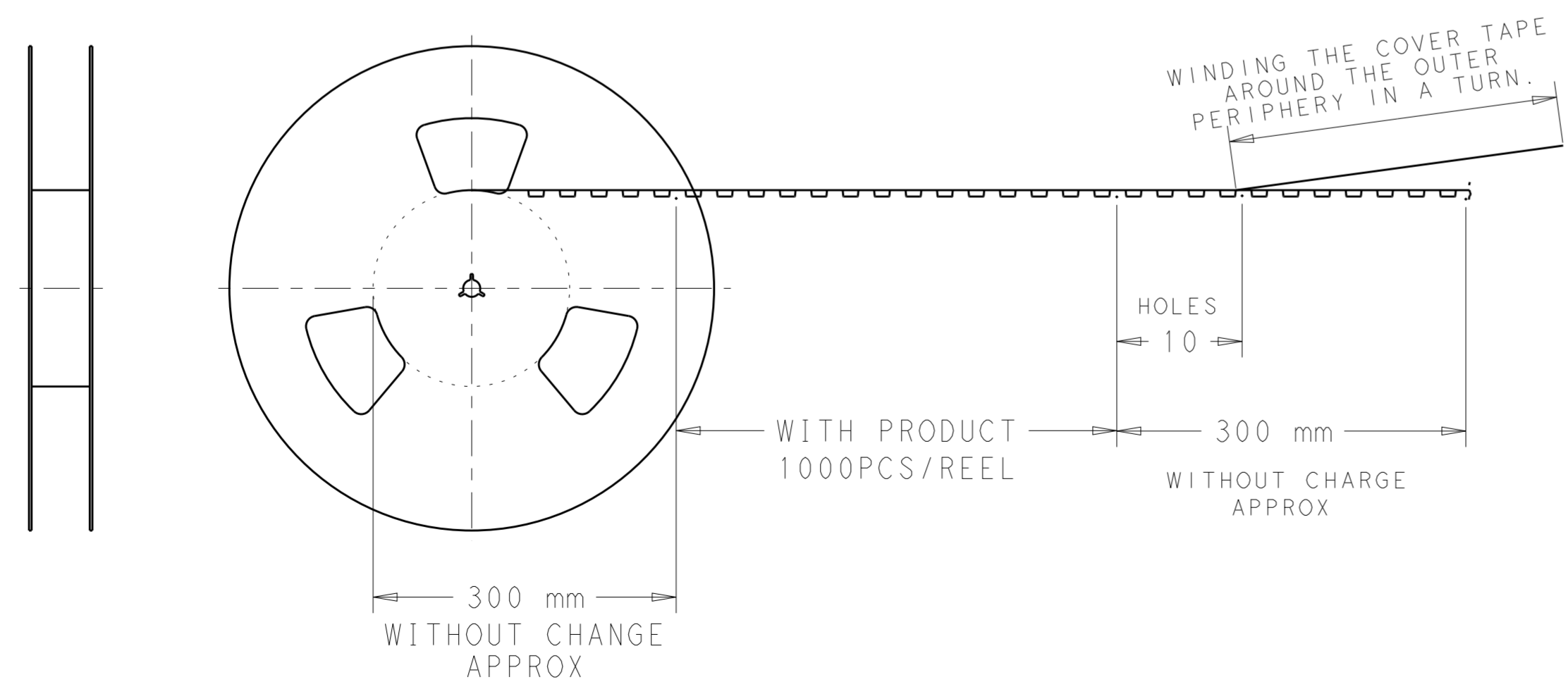
THIS DRAWING IS A CONTROLLED DOCUMENT.		DWN B. J	18MAY2017	 TE Connectivity
		CHK A. S	18MAY2017	
		APVD S. Y	18MAY2017	
		PRODUCT SPEC		
DIMENSIONS: mm		TOLERANCES UNLESS OTHERWISE SPECIFIED: 0 PLC ± 1 PLC ±0.2 2 PLC ±0.08 3 PLC ± 4 PLC ± ANGLES ±1° FINISH		NAME 0.5MM FPH BTB CONN. 30POS 4MM MATING HEIGHT
MATERIAL - -		finish_spec_2		APPLICATION SPEC - WEIGHT - SCALE 10:1 SHEET 3 OF 5 REV A
		CUSTOMER DRAWING		SIZE A2 CAGE CODE DRAWING NO. C-2291283 RESTRICTED TO

THIS DRAWING IS UNPUBLISHED. RELEASED FOR PUBLICATION
 © COPYRIGHT copyright.d8te- ALL RIGHTS RESERVED.

REVISIONS					
P	LTR	DESCRIPTION	DATE	DWN	APVD
-		SEE SHEET 1	-	-	-



DETAIL A
SCALE 6:1

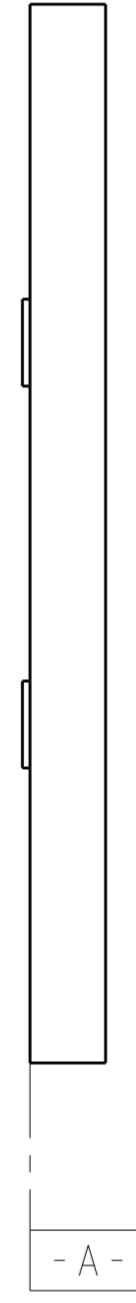
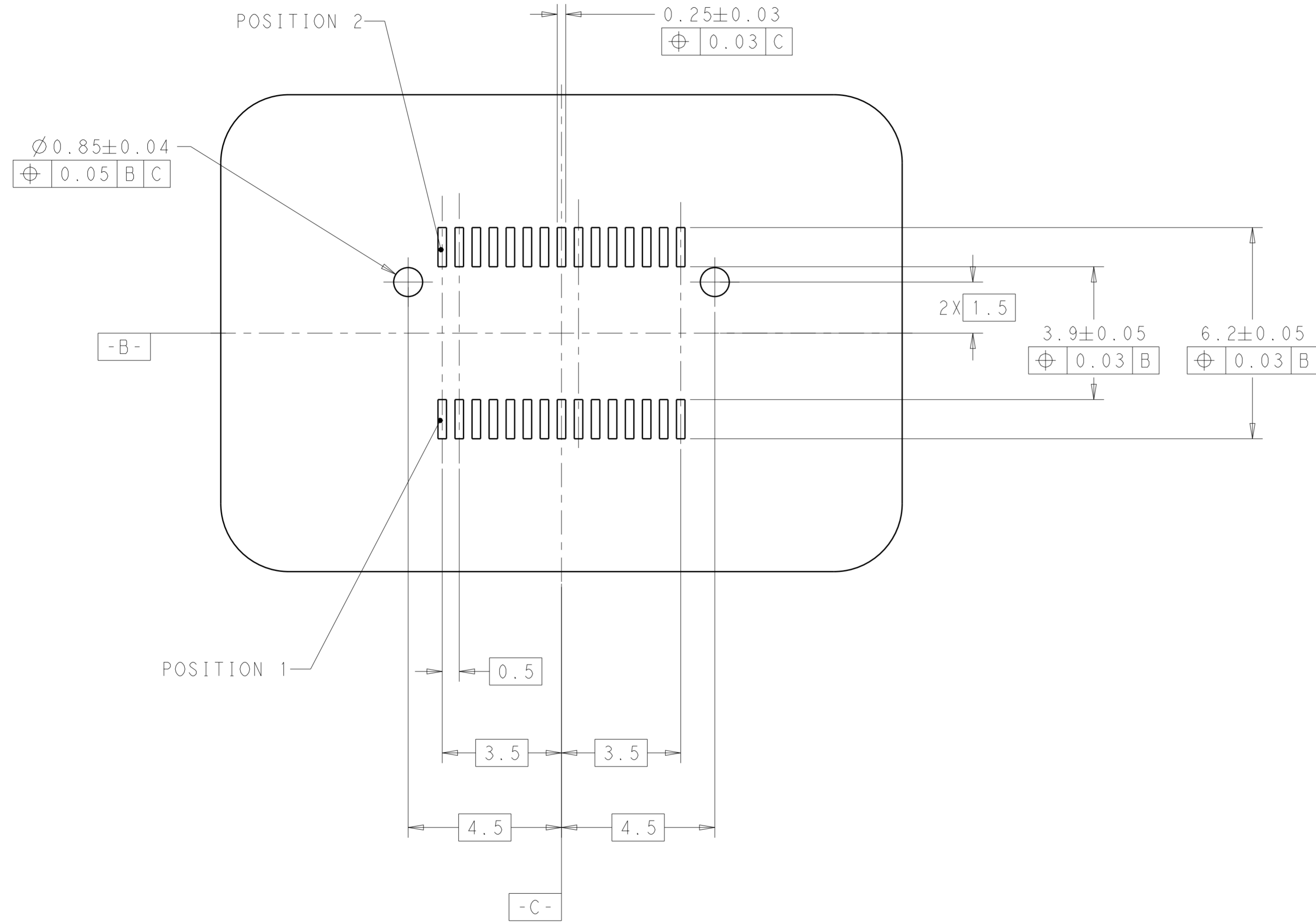


NATURAL	BLACK	WITHOUT	\triangle	1100	30	2291283-2
NATURAL	BLACK	WITH	\triangle	1100	30	2291283-1
CAP COLOR	HSG COLOR	LOCATION POST	FINISH	QTY/R	POS	P/N

THIS DRAWING IS A CONTROLLED DOCUMENT.		DWN B.J 18MAY2017	STE TE Connectivity
		CHK A.S 18MAY2017	
		APVD S.Y 18MAY2017	
DIMENSIONS: mm		TOLERANCES UNLESS OTHERWISE SPECIFIED:	
		0 PLC ± 1 PLC ±0.2 2 PLC ±0.08 3 PLC ± 4 PLC ± ANGLES ± FINISH ±	
MATERIAL		PRODUCT SPEC	
		APPLICATION SPEC	
		WEIGHT	
		NAME 0.5MM FPH BTB CONN 30POS 4MM MATING HEIGHT	
		SIZE A2	
		DRAWING NO C-2291283	
		RESTRICTED TO	
		SCALE 10:1 SHEET 4 OF 5 REV A	

THIS DRAWING IS UNPUBLISHED. RELEASED FOR PUBLICATION
 © COPYRIGHT copyright.dBTe- ALL RIGHTS RESERVED.

REVISIONS				
P	LTR	DESCRIPTION	DATE	APVD
-		SEE SHEET 1	-	-



RECOMMENDED FOOTPRINT

THIS DRAWING IS A CONTROLLED DOCUMENT.		DWN B.J	18MAY2017	TE Connectivity	
		CHK A.S	18MAY2017		
		APVD S.Y	18MAY2017		
		PRODUCT SPEC			
DIMENSIONS:		TOLERANCES UNLESS OTHERWISE SPECIFIED:		NAME	
mm		0 PLC ± 1 PLC ±0.2 2 PLC ±0.08 3 PLC ± 4 PLC ± ANGLES ± FINISH ±		0.5MM FPH BTB CONN 30POS 4MM MATING HEIGHT	
MATERIAL		finish_spec_2		SIZE	
		CUSTOMER DRAWING		A2	
		SCALE 10:1		DRAWING NO	
		SHEET 5 OF 5		C-2291283	
		REV A		RESTRICTED TO	