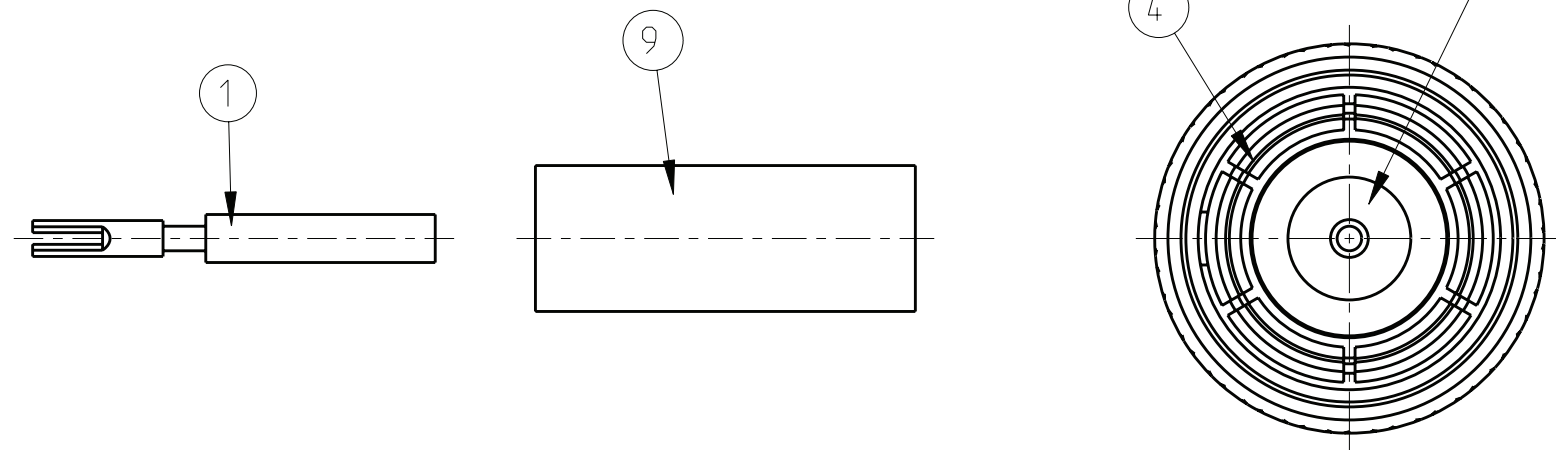
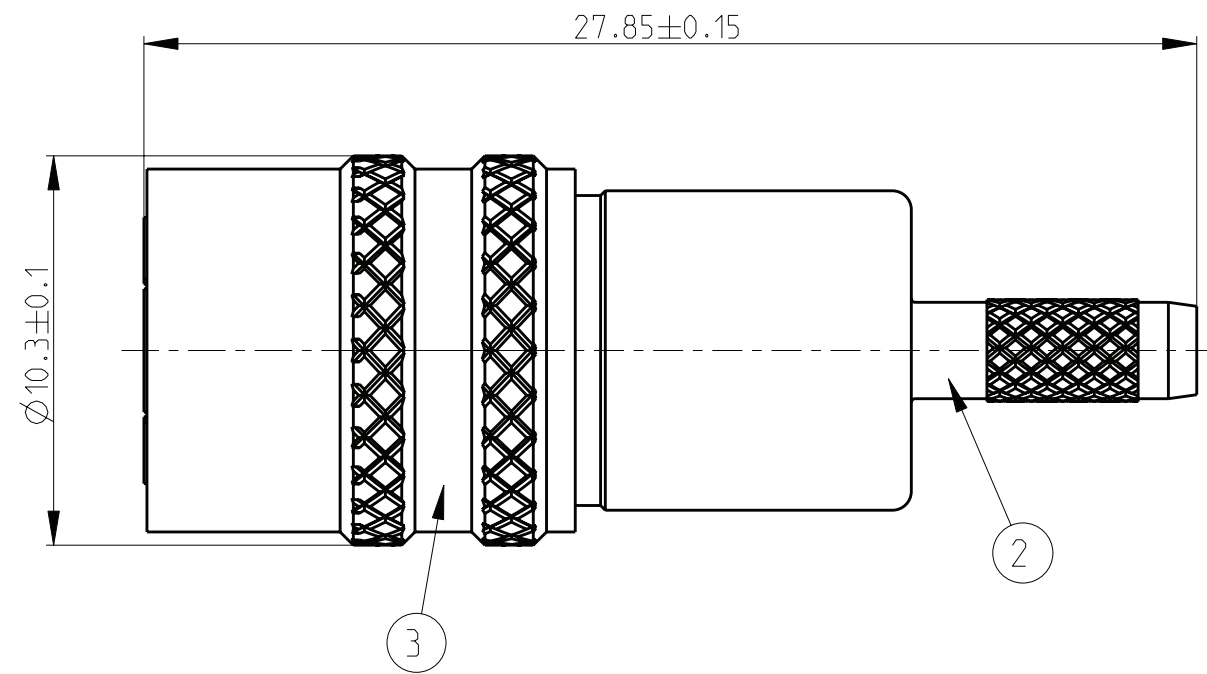
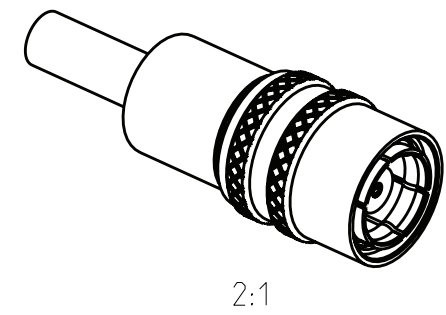


THIS DRAWING IS UNPUBLISHED. RELEASED FOR PUBLICATION
 © COPYRIGHT - BY TYCO ELECTRONICS CORPORATION. ALL RIGHTS RESERVED.

LOC	DIST	REVISIONS			
P	LTR	DESCRIPTION	DATE	DWN	APVD
IS	-	A	Released	10MAY06	AN DB
		A1	ECR-06-016911 (added crimp tool information)	12JUL06	AN DB



Part Nr	Item	Description	Material	Plating	Qty
△ 1311099-1 △ 1311099-2	9	Ferrule	Brass	min. 1µm Ni over min. 0.1µm Cu	1
	8	Retaining ring Ø8.97	Copper Beryllium	-	1
	7	Retaining ring Ø8.71	Copper Beryllium	-	1
	6	Spring	Spring steel	-	1
	5	Dielectric	PTFE	-	1
	4	Outer conductor	Copper Beryllium	min. 0.2µm Au over min. 2µm NiP	1
	3	Sleeve	Brass	min. 2µm Ni over min. 0.2µm Cu	1
	2	Crimpend	Brass	min. 2µm Ni over min. 0.2µm Cu	1
	1	Center conductor	Copper Beryllium	min. 0.2µm Au over min. 2µm NiP	1

- 1) Nominal characteristic impedance 75 Ohm.
- △ 2) General tolerances according to ISO 2768-mH.
- △ 3) 200 Plugs assy (pos. from 2 to 8) packed with 200 cent. conductors (pos. 1), 200 ferrules (pos. 9) and 1 crimp tool (PN 1402250-1 not visible on drawing), each separately in plastic bag. Plastic bags packed in carton box PN 973171-2. 6 carton boxes packed in carton box PN 973058-3.
- △ 4) 1 Plug assy (pos. from 2 to 8) packed with 1 cent. conductor (pos. 1) and 1 ferrule (pos. 9) in plastic bag.
- 5) Items 6,7 and 8 not visible on drawing.
- 6) Full crimp version
 Center conductor: crimp tool Tyco PN 1331706-1, adaptor crimp tool PN 1402250-1
 Outer conductor: crimp tool Tyco PN 734537-1 crimp hex 3.25 (PN 58425-2)

THIS DRAWING IS A CONTROLLED DOCUMENT FOR TYCO ELECTRONICS CORPORATION. IT IS SUBJECT TO CHANGE AND THE CONTROLLING ENGINEERING ORGANIZATION SHOULD BE CONTACTED FOR THE LATEST REVISION.

DWN: 10MAY2006, A. Nicolini
 CHK: 10MAY2006, D. Bozzer
 APVD: -

tyco Electronics tyco Electronics CH - Switzerland - Lugano

NAME: BT43 Plug Cable Crimp RG179 Quick Lock

PRODUCT SPEC: -
 APPLICATION SPEC: -
 WEIGHT: -

SIZE: A3, CAGE CODE: 00779, DRAWING NO: C-1311099, RESTRICTED TO: -

CUSTOMER DRAWING SCALE: 5:1, SHEET: 1 OF 1, REV: A1