

NOTES:

1. MATERIALS AND FINISHES:
 BODY, CLAMP BUSHING, WASHERS, RETAINER RING
 SHELL, BRAID CLAMP & CLAMP NUT - BRASS, NICKEL PLATING
 CONTACT - BRASS, SILVER PLATING
 SPRING - BeCu, NICKEL PLATING
 INSULATOR - PTFE, NATURAL
 GASKETS - SILICONE RUBBER, RED
2. ELECTRICAL:
 A. IMPEDANCE: 50 OHM
 B. FREQUENCY RANGE: DC-4GHz
 C. DIELECTRIC WITHSTANDING VOLTAGE: 1500 VRMS.MIN
3. MECHANICAL:
 A. DURABILITY: 500 CYCLES.MIN.
 B. TEMPERATURE RANGE: -65° C TO +165° C

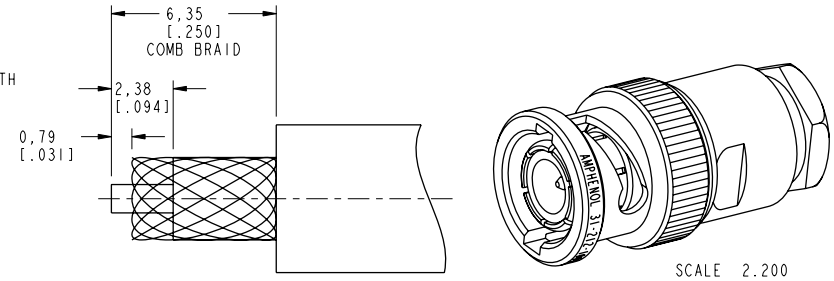
4. PACKAGING:
 A. QUANTITY: SINGLE PACK
 B. MARKING: BAG TO BE MARKED
 "AMPHENOL RF, 31-212-1005, AND DATE CODE"
5. CABLE ASSEMBLY INSTRUCTIONS:
 A. STRIP CABLE AS SHOWN.
 B. SLIDE CLAMP NUT, WASHER, GASKET & BRAID CLAMP OVER CABLE SHEATH.
 C. COMB OUT THE BRAID AND FOLD OUT, TRIM EXCESS BRAID.
 D. SOLDER CABLE CENTER CONDUCTOR TO CENTER CONTACT.
 E. SLIDE SUB-ASSEMBLY TO THE REAR SIDE OF THE BODY AND TIGHTEN WITH
 PROPER SPANNER NUT. MAKE SURE INTERFACE DIMENSIONS ARE MET.

6 SHOWS CABLE ENTRY DIMENSIONS.

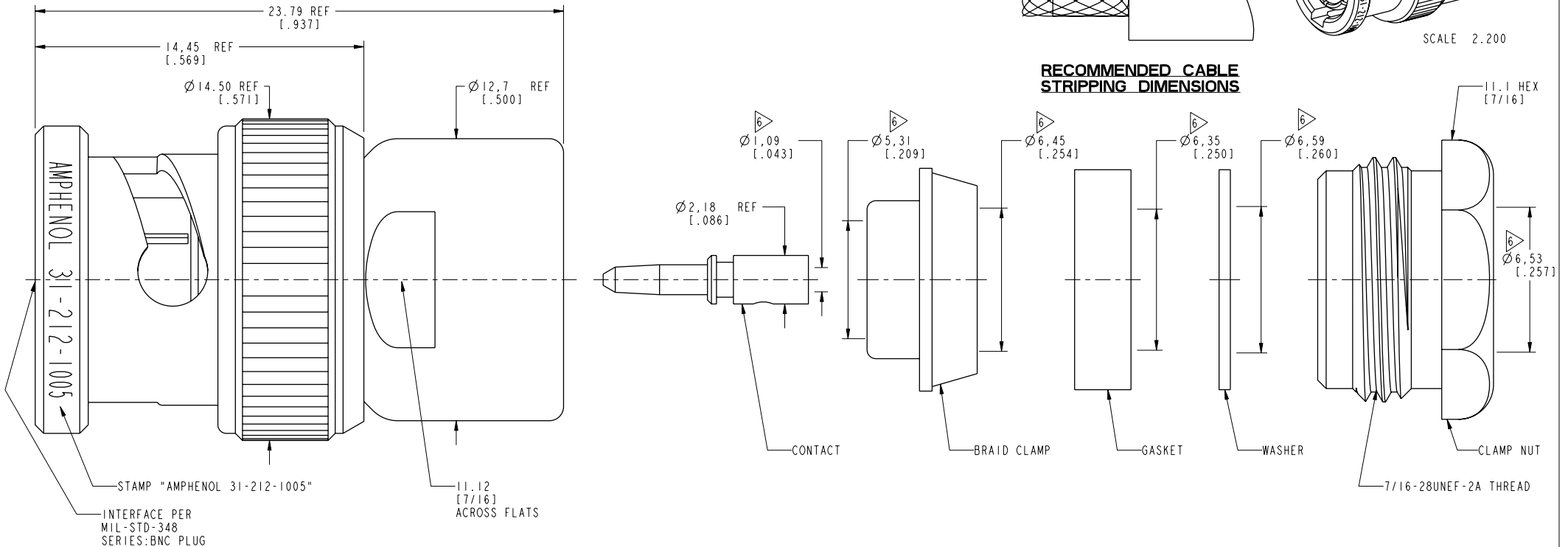
THIRD ANGLE PROJ.

REVISIONS

REV	DESCRIPTION	DATE	ECO	APPR
A	RELEASE TO MFG.	--	--	--
J	SEE SHEET I	22-Dec-09	47888	SH
K	REDRAWN IN PRO-E	09-Jul-14	49949	SH



RECOMMENDED CABLE STRIPPING DIMENSIONS



CUSTOMER OUTLINE DRAWING
 ALL OTHER SHEETS ARE FOR INTERNAL USE ONLY

UNLESS OTHERWISE SPECIFIED, DIMENSIONS ARE IN METRIC AND TOLERANCES ARE: <0.5mm ±0.05mm 0.5 - 6mm ±0.1mm 6 - 30mm ±0.2mm 30 - 120mm ±0.3mm ANGLES ±1° NOTICE - These drawings, specifications, or other data (1) are, and remain the property of Amphenol Corp. (2) must be returned upon request; and (3) are confidential and not to be disclosed to any person other than those to whom they are given by Amphenol Corp. the furnishing of these drawings, specifications, or other data by Amphenol Corp., or to any other person to anyone for any purpose is not to be regarded by implication or otherwise in any manner licensing, granting rights to permitting such holder or any other person to manufacture, use or sell any product, process or design, patented or otherwise, that may in any way be related to or disclosed by said drawings, specifications, or other data.	MATERIAL	DRAWN	DATE	TITLE BNC PLUG QUICK CRIMP FOR RG-59/U CABLE		Amphenol RF www.amphenolrf.com	
	SEE NOTES	M. DONG	01-Jul-14			DRAWING NO. 31-212-1005	
	REFERENCE EAR #	ENGINEER	DATE	SCALE: 5.8:1.0		SHEET 2 OF 2	
	CONFIGURATION LEVEL: □□□□	S. HSIEH	09-Jul-14	DWG SIZE B		REV K	
FINISH	CAD FILE					ITEM NO. 31-212-1005	
						PART NO. 31-212-1005	