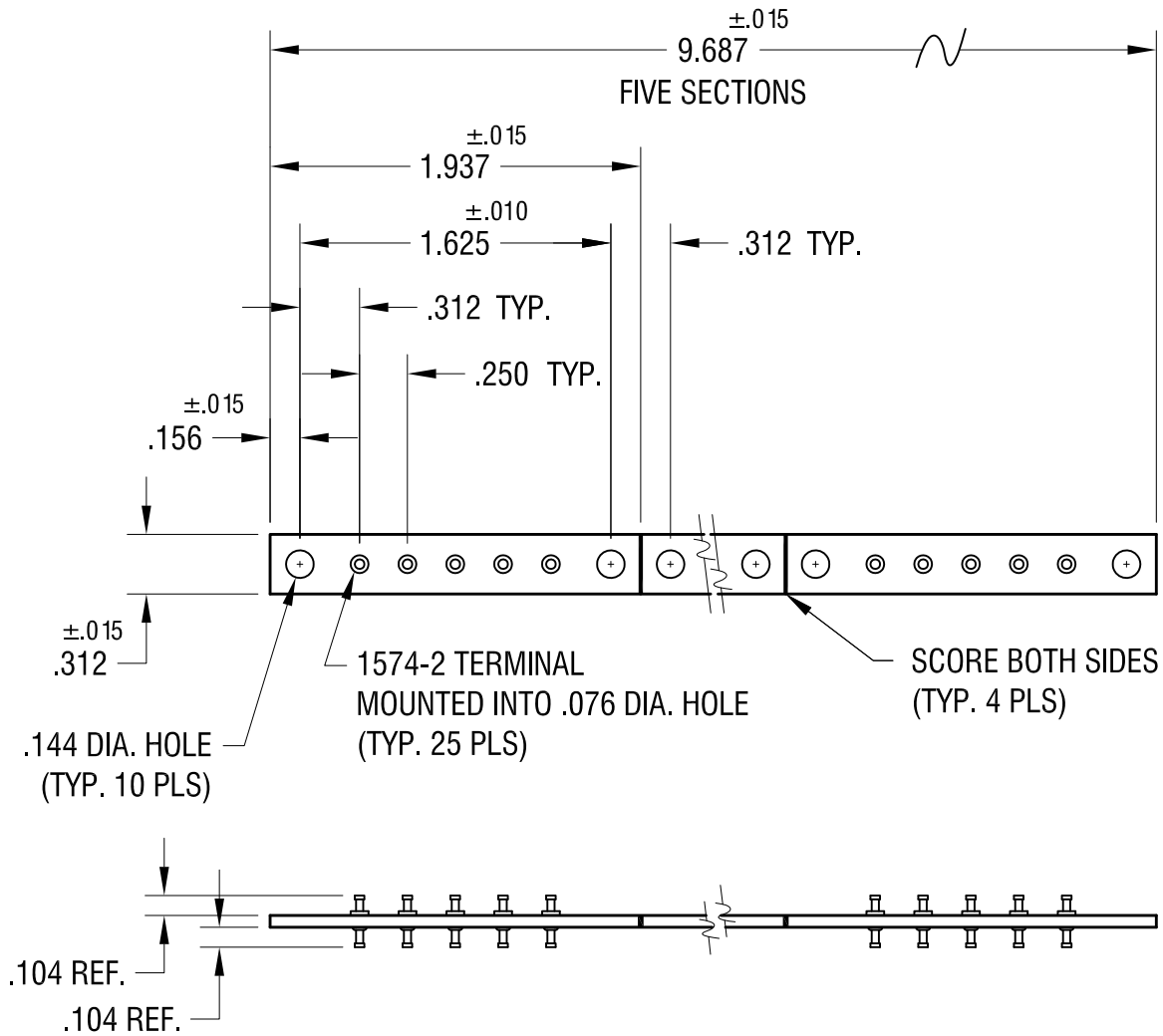


THIS DOCUMENT IS THE PROPERTY OF  
KEYSTONE ELECTRONICS CORP. AND  
SHALL NOT BE REPRODUCED, DISTRIBUTED  
OR USED AS A BASIS FOR MANUFACTURE  
WITHOUT PRIOR WRITTEN PERMISSION  
FROM KEYSTONE ELECTRONICS CORP.



5.5.05	REVISED	A
DATE	DESCRIPTION	REV.

<b>KEYSTONE ELECTRONICS CORP.</b>			
www.keyelco.com • ASTORIA, N.Y. 11105-2017 • Tel (718) 956-8900			
PART NAME			
MINIATURE TURRET TERMINAL BOARD			
MATERIAL			
.062 TH'K PHENOLIC			
FINISH		DRN BY	DATE
AS NOTED		BOONE	1.6.83
		APP'D	SCALE
		LN	1X
TOLERANCES	INCH [MM]	CODE	DWG NO.
DECIMAL	± .005 [± ]	C	<b>15067</b>
ANGULAR	± 1°		
UNLESS OTHERWISE SPECIFIED			