

PART NUMBER	REV	FIRST USED
567865-1	B	854040-4

TERMINAL NAME: MALE TERMINAL		CRIMP DATA PER CUSTOMER SPEC	
AMP P/N	MFG P/N	CRIMP	SIZE
286645	211CL251320	WIRE	.080 [2.03mm]
336025		INSUL	.100 [2.54mm]
WIRE STRIP LENGTH		TERM APPL SPEC	FEED
.188-.219		NONE	.394
APPL INSTRUCTION		SET UP GAGE	LAYOUT
SEE CUSTOMER MANUAL		NONE	L1998

STANDARD FORCE CRIMP QUALITY MONITOR APPLICATOR  
SIM TO HDM 680451

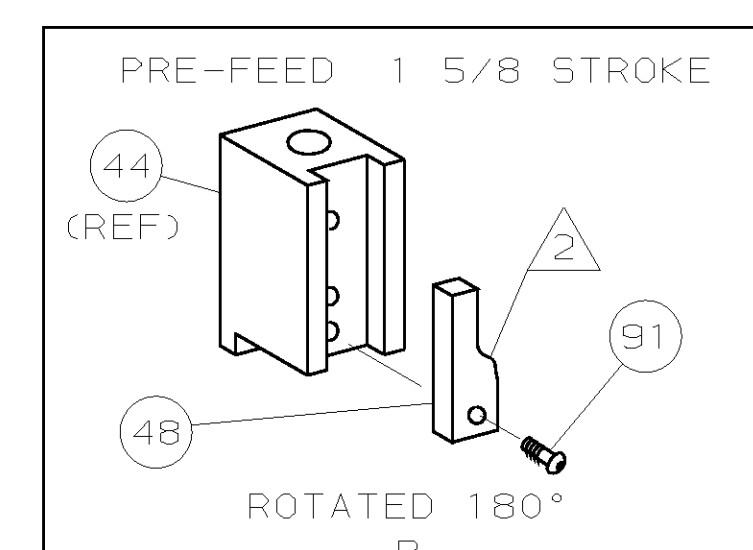
QTY	REV	U/M	DWG SIZE	PART NO	DESCRIPTION	ITEM NO
1	-	A		2-21010-7	SCR, SET (6-32x.12) LIFT ARM	67
1	-	B		1-21002-6	SCR, BHC (6-32x.25) LEVER	66
1	-	B		856044-1	LEVER, SLIDE LOCK	65
1	-	A		2-21000-0	SCR, SHC (6-32x.50) LIFT ARM	64
1	-	B		856043-1	ARM, LIFT	63
1	-	A		2-21000-6	SCR, SHC (8-32x.38) EXT ARM	62
1	-	B		856042-1	ARM, EXTENSION	61
1	-	A		7-21013-3	SCR, SET (5/16x.38) CR BOLT	57
REF	-	B		694433-8	PAWL, FEED	56
1	-	A		690602-6	CAM, PRE-FEED 1.62 STROKE	48
1	-	A		690191-1	PLUG, NYLON	45
1	-	C		853493-4	SIDE FEED RAM ASSY	44
1	-	A		690125-1	WASHER, LAMINATED	43
1	-	A		690124-1	WASHER, RAM	42
1	-	A		7-21002-9	BOLT, CRIMPER (5/16x1.00)	41
1	-	A		23241-6	BALL, STEEL	40
1	-	A		690170-1	SPRING, COMPRESSION	39
1	-	C		690142-1	DISC, INSULATION	38
1	-	D		354777-1	WIRE DISC, PLASTIC	37
1	-	A		22480-5	WASHER, SPRING	36
1	-	B		856041-1	POST, RAM	35
1	-	C		462544-1	PLATE, BASE SPECIAL	33
1	-	A		690432-3	SCREW, ADJUSTMENT	32
1	-	B		462543-1	BLOCK, SCREW SPECIAL	31
1	-	B		455689-1	BLOCK, STRIP GUIDE ADJ	30
1	-	C		458144-1	PLATE, STRIP GUIDE	29
1	-	C		1-455888-5	SPACER, FRONT SHEAR DEP	28
2	-	A		1-22284-0	SPRING, DRAG	27
1	-	B		240793-1	LEVER, DRAG RELEASE	26
1	-	B		240792-1	DRAG, TERMINAL	25
1	-	D		856873-1	GUIDE, STRIP (REAR)	24
1	-	A		690438-1	GUIDE, STRIP (FRONT)	23
1	-	A		463756-1	GUIDE, SCRAP	21
REF	-	C		462615-1	STRIPPER	19
1	-	B		904221-1	HOLDER, TERMINAL	18
1	1	A		4-21028-0	PIN, SLT SPRING (.094x.75)	15
1	1	A		3-22278-0	SPRING, HOLDER	14
1	-	A		5-22280-0	SPRING, SHEAR	12
1	-	B		1-690461-6	STOP, SHEAR (FRONT)	11
1	-	B		462548-1	HOLDER, SHEAR (FRONT) SP	10
1	-	B		462547-1	SHEAR, FLOAT (FRONT) SP	9
1	-	C		662186-6	ANVIL	8
1	-	A		455053-1	PLATE, RETAINING	7
1	-	A		455052-1	CARRIER, TERM HOLDER	6
1	-	A		462838-1	DEPRESSOR, SHEAR (FRONT) SP	5
1	-	B		238011-4	SPACER, BLOCK CRIMPER	4
1	-	C		1-854830-8	CRIMPER, INSULATION	3
1	-	C		455888-4	SPACER, CRIMPER	2
1	-	C		2-456405-4	CRIMPER, WIRE	1

QTY	REV	U/M	DWG SIZE	PART NO	DESCRIPTION	ITEM NO
2	-	C		2-354779-7	PIN, WIRE DISC (.3125) D	129
2	-	C		2-354779-4	PIN, WIRE DISC (.3110) C	128
2	-	C		3-354779-2	PIN, WIRE DISC (.3150) A	126
1	-	A		986950-1	WASHER, FLAT PRECISION	125
1	-	A		217238-4	DOCUMENTATION PACKAGE	124
1	-	A		4-21028-0	PIN, SLT SPR (.093x.75) ST GDE PL	121
1	-	B		690701-2	PLATE, SERIAL NO.	120
2	-	A		21899-2	WASHER, FLAT (#10) S G ADJ BLK	119
2	-	A		21024-5	WASHER, LOCK (#10) ADJ BLOCK	117
2	-	A		21024-2	WASHER, LOCK (#4) FRONT STP GUIDE	114
REF	-	A		21024-4	WASHER, LOCK (#8) FEED FINGER	113
2	-	A		21024-4	WASHER, LOCK (#8) DEP-HOLD	112
REF	-	A		21024-4	WASHER, LOCK (#8) STRIPPER	111
1	-	A		22353-8	SCR, SHLD (.187x.25) DRAG LEVER	105
1	-	A		21009-2	SCR, SKT SET (1/4-20x.25 LW) RAM	103
4	-	A		21017-2	SCR, DRIVE (#2x.19) ID PLATE	101
1	-	B		819347-1	PLATE, IDENTIFICATION	100
2	-	A		3-21002-0	SCR, BHC (10-32x.88) DRAG	99
1	-	A		22733-8	SCR, BHC (8-32x.38 LW) ANVIL	98
1	-	A		3-21000-8	SCR, SHC (10-32x.88) MOUNTING	96
1	-	A		2-21002-7	SCR, BHC (10-32x.50) S G ADJ BLK	95
4	-	A		2-21002-2	SCR, BHC (8-32x.50) SHEAR-TERM SUP	94
1	-	A		1-21002-7	SCR, SHC (6-32x.50) CAM	91
2	-	A		2-21000-7	SCR, SHC (8-32x.50) SCR BLK	90
2	-	A		3-21000-0	SCR, SHC (8-32x.86) DEP-HOLD DOWN	87
REF	-	A		2-22603-0	SCR, HEX HD (8-32x.31) FEED FINGER	86
2	-	A		1-21000-3	SCR, SHC (4-40x.25) F ST GUIDE	85
REF	-	A		22733-9	SCR, BHC (8-32x.50 SL) STRIPPER	84
1	-	A		3-22603-1	SCR, HEX (10-32x.38) S G ADJ BL	81
2	-	B		463310-5	BLADE, STRIPPING (#20)	77
-	-	D		354440-3	FFC LOOP ASSY	76
1	-	A		690603-1	SPRING, ASSIST	74
1	-	A		23030-1	SCR, SKT CAP (6-32x.25) CP DSC	73
2	-	B		853495-1	GASKET	71

THIS DRAWING IS A CONTROLLED DOCUMENT.

THIS DRAWING IS UNRELEASED. RELEASE FOR PUBLICATION BY AMP INCORPORATED. ALL RIGHTS RESERVED. COPYRIGHT 1998

LOC A  
DIST 66



- 1 RECOMMENDED SPARE PARTS.
- 2 GREASE LIGHTLY.
- 3 ITEM NOT SHOWN
- 4 TORQUE TO LENGTH AT 65 INCH POUNDS

AMP Incorporated Harrisburg, PA 17105-3608

NAME: CQM STRIPPER CRIMPER APPLICATOR

SCALE: 1:1

REV: 1 OF 1

DATE: 12/97

REVISION RECORD

REVISION 1: REVISED

REVISION 2: REVISED

REVISION 3: REVISED

REVISION 4: REVISED

REVISION 5: REVISED

REVISION 6: REVISED

REVISION 7: REVISED

REVISION 8: REVISED

REVISION 9: REVISED

REVISION 10: REVISED

REVISION 11: REVISED

REVISION 12: REVISED

REVISION 13: REVISED

REVISION 14: REVISED

REVISION 15: REVISED

REVISION 16: REVISED

REVISION 17: REVISED

REVISION 18: REVISED

REVISION 19: REVISED

REVISION 20: REVISED

REVISION 21: REVISED

REVISION 22: REVISED

REVISION 23: REVISED

REVISION 24: REVISED

REVISION 25: REVISED

REVISION 26: REVISED

REVISION 27: REVISED

REVISION 28: REVISED

REVISION 29: REVISED

REVISION 30: REVISED

REVISION 31: REVISED

REVISION 32: REVISED

REVISION 33: REVISED

REVISION 34: REVISED

REVISION 35: REVISED

REVISION 36: REVISED

REVISION 37: REVISED

REVISION 38: REVISED

REVISION 39: REVISED

REVISION 40: REVISED

REVISION 41: REVISED

REVISION 42: REVISED

REVISION 43: REVISED

REVISION 44: REVISED

REVISION 45: REVISED

REVISION 46: REVISED

REVISION 47: REVISED

REVISION 48: REVISED

REVISION 49: REVISED

REVISION 50: REVISED

REVISION 51: REVISED

REVISION 52: REVISED

REVISION 53: REVISED

REVISION 54: REVISED

REVISION 55: REVISED

REVISION 56: REVISED

REVISION 57: REVISED

REVISION 58: REVISED

REVISION 59: REVISED

REVISION 60: REVISED

REVISION 61: REVISED

REVISION 62: REVISED

REVISION 63: REVISED

REVISION 64: REVISED

REVISION 65: REVISED

REVISION 66: REVISED

REVISION 67: REVISED

REVISION 68: REVISED

REVISION 69: REVISED

REVISION 70: REVISED

CUSTOMER AND ASSEMBLY DRAWING