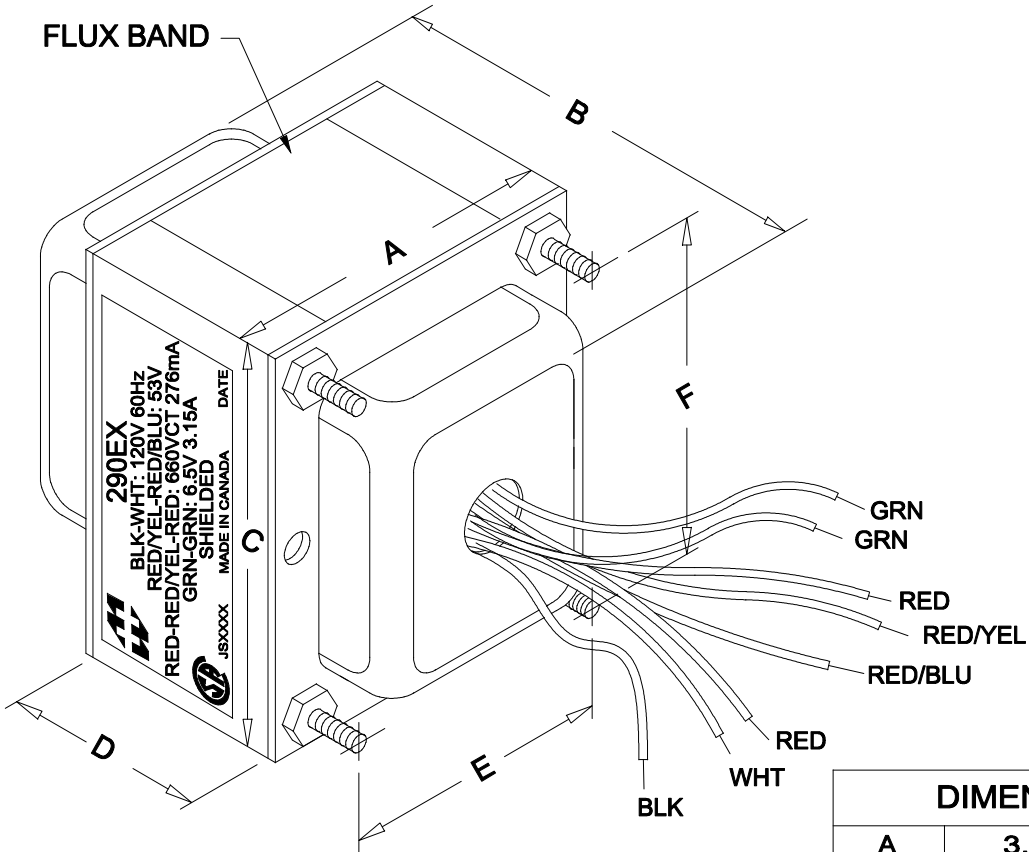
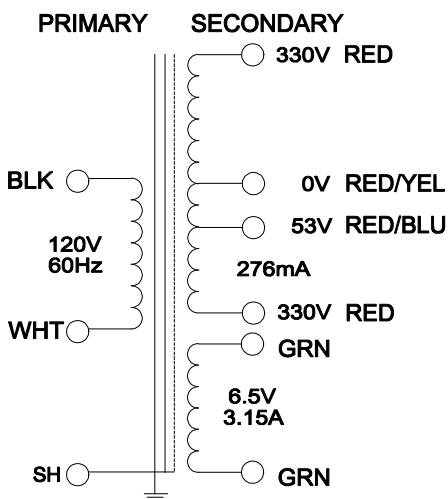


290EX



DIMENSIONS:	
A	3.438" ±0.063
B	4.063" ±0.125
C	4.125" ±0.063
D	1.844" ±0.063
E	2.750" ±0.063
F	3.438" ±0.063

NOTE: ALL LEADS 9" OUT MIN., STRIPPED .5"



ELECTRICAL DATA:	
Turns ratio:	1 : 5.74 ( RED - RED)
Exciting Current	@ 120V, 60Hz, BLK - WHT = 398mA      Max.
DCR	@ 20C, BLK - WHT = 1.415 Ω      ±20%
	@ 20C, RED - RED = 40.13 Ω      ±20%
	@ 20C, GRN - GRN = 0.060 Ω      ±20%
Pri. Voltage	120V 60Hz
Sec. Voltage (RMS)	660VCT @ 276mA C/W 53V TAP , 6.5V @ 3.15A
No Load Voltage	688.70VCT/ 6.78V



52 RANKIN PLACE,  
 WATERLOO, ONTARIO, N2L 3Z5.  
 PHONE (519) 886-6181  
 FAX # (519) 886-9540

TITLE  
**POWER TRANSFORMER**

1	08/11/09	PRELIMINARY.	I.P	DR BY IOAN POP
				DATE 05/12/09
NO	DATE	REVISION		DIM IN(X)MM( )

290EX