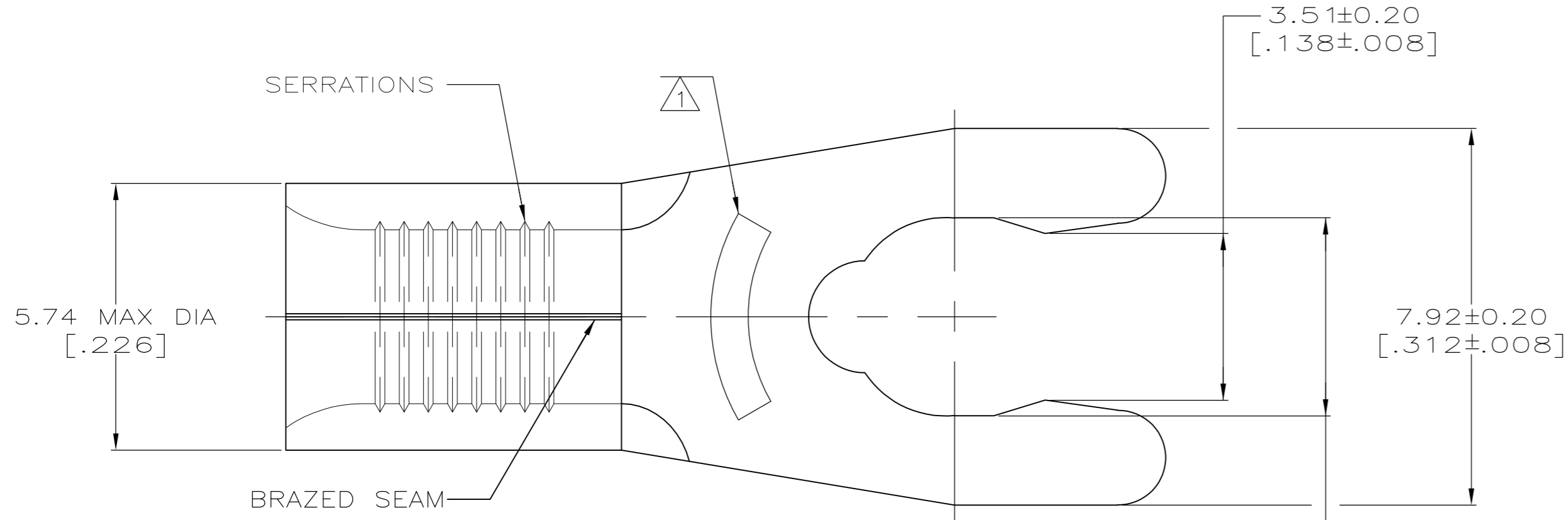
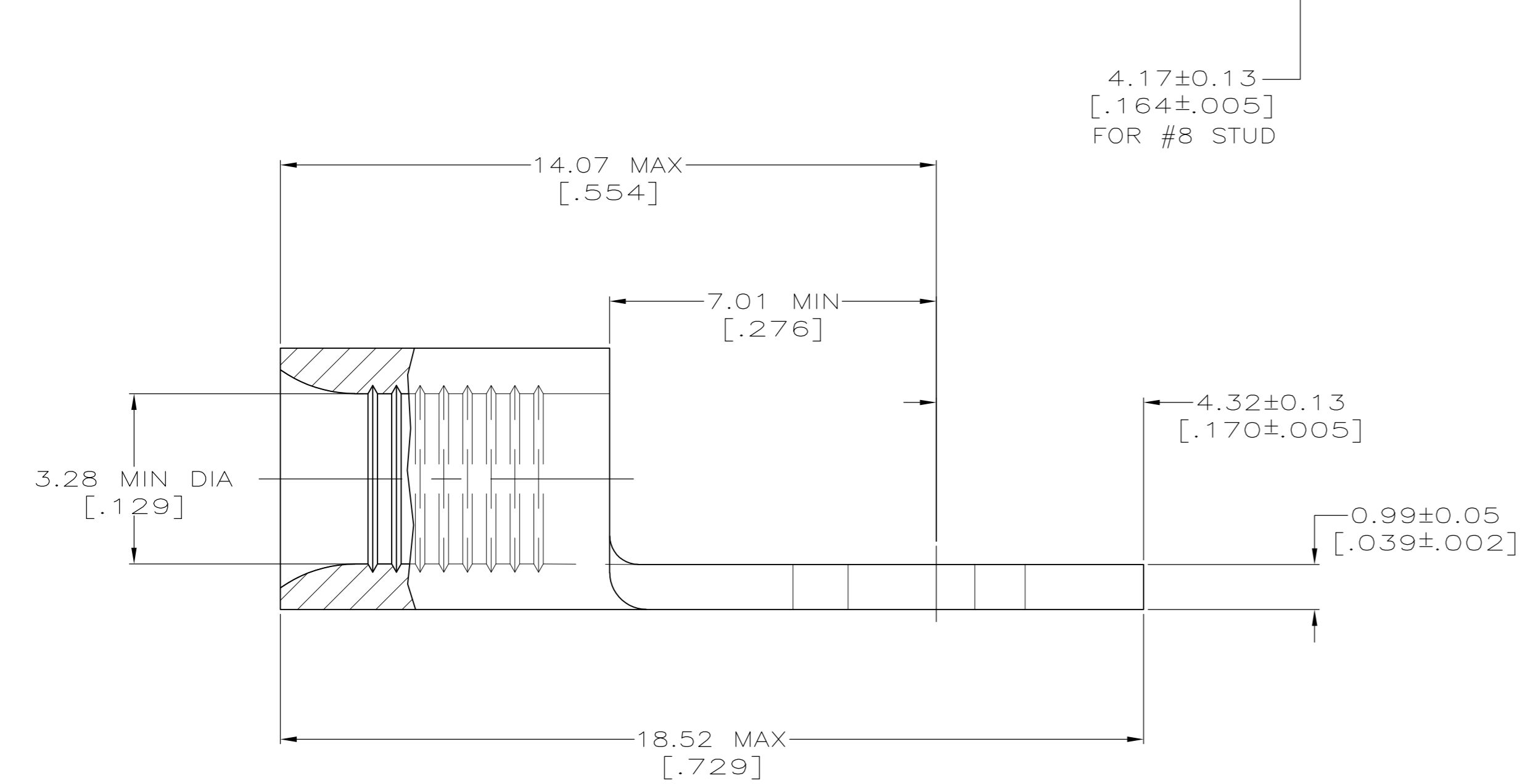


THIS DRAWING IS UNPUBLISHED. RELEASED FOR PUBLICATION
 © COPYRIGHT BY TYCO ELECTRONICS CORPORATION. ALL INTERNATIONAL RIGHTS RESERVED.

LOC	DIST	REVISIONS			
P	LTR	DESCRIPTION	DATE	DWN	APVD
G	14	B1	REV PER ECR 10-006882	05APR10	JR TM



AMP WIRE RANGE	Listed FILE E13288	LR7189 Certified
12-10 AWG SOLID OR STRANDED	12-10 AWG STRANDED	12-10 AWG SOLID OR STRANDED



- △1 STAMP 8S AMP 12-10* APPROX AS SHOWN
8S INDICATES STUD SIZE
- △2 PHOS BRONZE PER ASTM B-103, ANNEALED
- △3 TIN PLATE 0.00254 [.000100] MIN
THK PER ASTM B545

2500	ON TAPE	53835-2
--	LOOSE PIECE	53835-1
QTY	PACKAGING TYPE	PART NO.

MAX RECOMMENDED OPERATING TEMPERATURE: 170°C MAX	THIS DRAWING IS A CONTROLLED DOCUMENT.		DWN TA BRINKMAN 3-29-93	Tyco Electronics Corporation Harrisburg, PA 17105-3608
	VOLTAGE RATING: N/A	DIMENSIONS: MM [INCHES]	CHK DA PATTERSON 3-29-93	
CIRCULAR MIL AREA: 2.62-6.64mm² [5,180-13,100] SOLID OR STRANDED	TOLERANCES UNLESS OTHERWISE SPECIFIED: 0 PLC ± - 1 PLC ± - 2 PLC ± - 3 PLC ± - 4 PLC ± - ANGLES ± - FINISH	MATERIAL - △2	APVD JL MECKLEY 3-29-93	PRODUCT SPEC - APPLICATION SPEC - WEIGHT -
				SIZE A2 CAGE CODE 00779 DRAWING NO C=53835 RESTRICTED TO - SCALE 10:1 SHEET 1 of 1 REV B1

53835