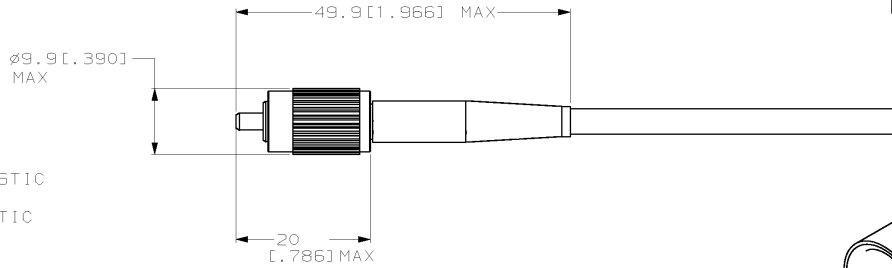


LOC	DIST	REVISIONS					
CE	16	P	LTR	DESCRIPTION	DATE	OWN	APVD
		F		REV PER 0A00-0589-03	07MAY04	KG	SB

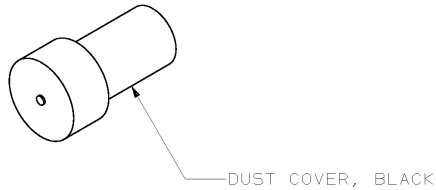
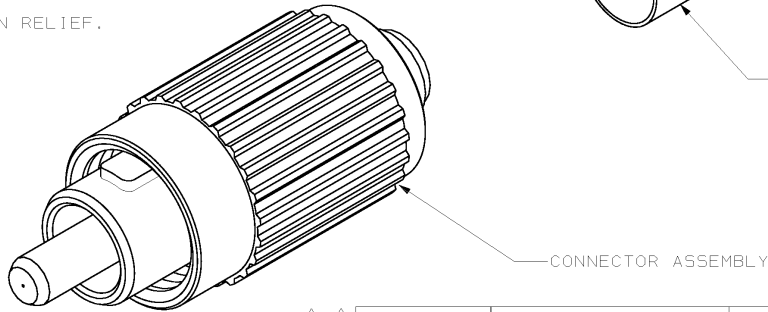
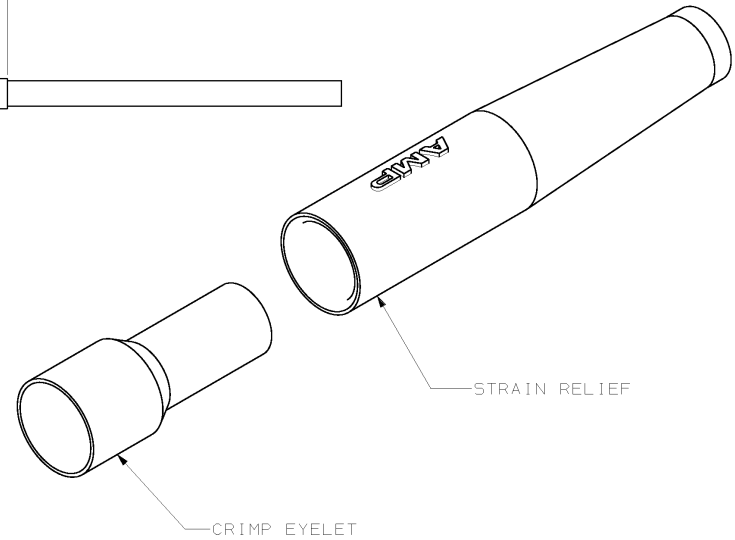
- 1 MATERIAL:
 COUPLING NUT: BRASS
 PLUG BODY: THERMOPLASTIC
 INTERNAL BODY: THERMOPLASTIC
 SPRING: STAINLESS STEEL
 FERRULE BASE: THERMOPLASTIC
 FERRULE: CERAMIC
 CRIMP EYELET: COPPER
 STRAIN RELIEF: THERMOPLASTIC ELASTOMER
 DUST COVER: THERMOPLASTIC

- 2 FINISH:
 COUPLING NUT: ELECTROLESS NICKEL
 CRIMP EYELET: BRIGHT TIN

- 3 BULK PACKAGE, 500 PIECES.
 4. TO BE USED WITH 3.0mm "LOOSE-JACKETED" CABLE.
 5 CONTAINS NO EYELET OR STRAIN RELIEF.



ASSEMBLED CONNECTOR



Color	Finish	Ferrule Base Color	Ferrule Hole Size	Part Number
OBsolete	-	BLUE	126 $\begin{smallmatrix} +1 \\ -0 \end{smallmatrix}$ μm	504649-9
3	BLUE	BLUE	126 $\begin{smallmatrix} +1 \\ -0 \end{smallmatrix}$ μm	504649-8
3	BLUE	NATURAL	125 $\begin{smallmatrix} +1 \\ -0 \end{smallmatrix}$ μm	504649-7
3	YELLOW	BLUE	126 $\begin{smallmatrix} +1 \\ -0 \end{smallmatrix}$ μm	504649-6
3	YELLOW	NATURAL	125 $\begin{smallmatrix} +1 \\ -0 \end{smallmatrix}$ μm	504649-5
	YELLOW	BLUE	126 $\begin{smallmatrix} +1 \\ -0 \end{smallmatrix}$ μm	504649-4
OBsolete	YELLOW	NATURAL	125 $\begin{smallmatrix} +1 \\ -0 \end{smallmatrix}$ μm	504649-3
	BLUE	BLUE	126 $\begin{smallmatrix} +1 \\ -0 \end{smallmatrix}$ μm	504649-2
	BLUE	NATURAL	125 $\begin{smallmatrix} +1 \\ -0 \end{smallmatrix}$ μm	504649-1
STRAIN RELIEF COLOR		FERRULE BASE COLOR	FERRULE HOLE SIZE	PART NUMBER

THIS DRAWING IS A CONTROLLED DOCUMENT FOR AMP INCORPORATED. IT IS SUBJECT TO CHANGE AND THE CONTROLLING ENGINEERING ORGANIZATION SHOULD BE CONTACTED FOR THE LATEST REVISIONS.		DATE: B. BRIGGS 7-21-95 CHK: B. PARKER 7-21-95 APVD: D. STAKEM 7-21-95	AMP AMP Incorporated Harrisburg, PA 17105-3608
DIMENSIONS: mm (INCHES) TOLERANCES (UNLESS OTHERWISE SPECIFIED): 0 PLC ±.0 1 PLC ±.05 2 PLC ±.1 3 PLC ±.15 4 PLC ±.2 ANGLES ±.5 FINISH -	PRODUCT SPEC: - APPLICATION SPEC: - WEIGHT: -	SIZE: A2 CASE CODE: 00779 DRAWING NO: C-504649	CUSTOMER DRAWING SCALE: NTS SHEET: 1 OF 1 REV: F

504649