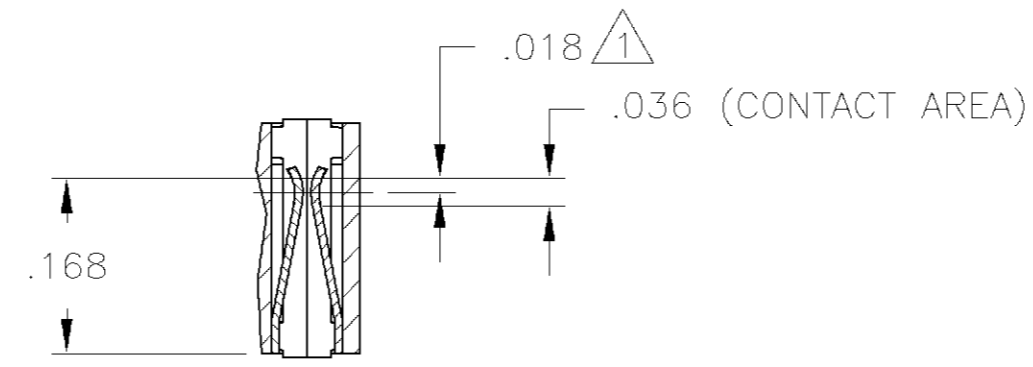
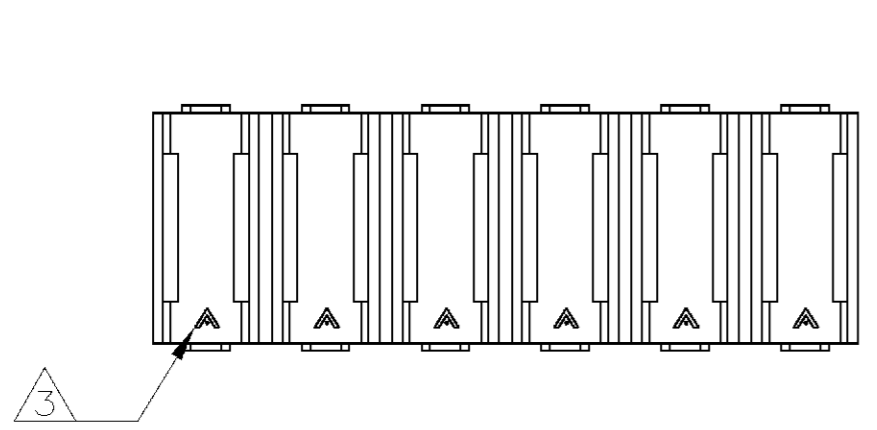


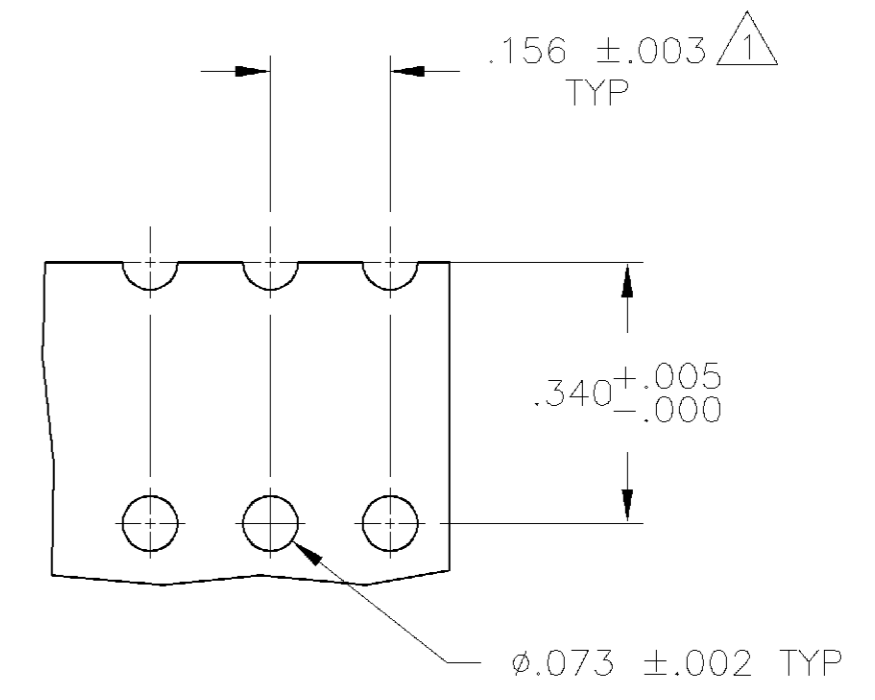
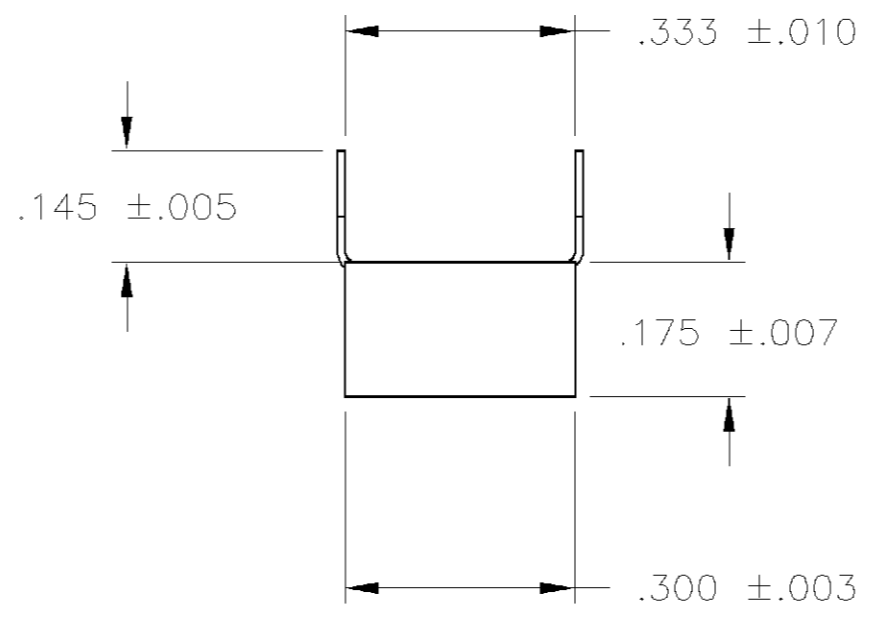
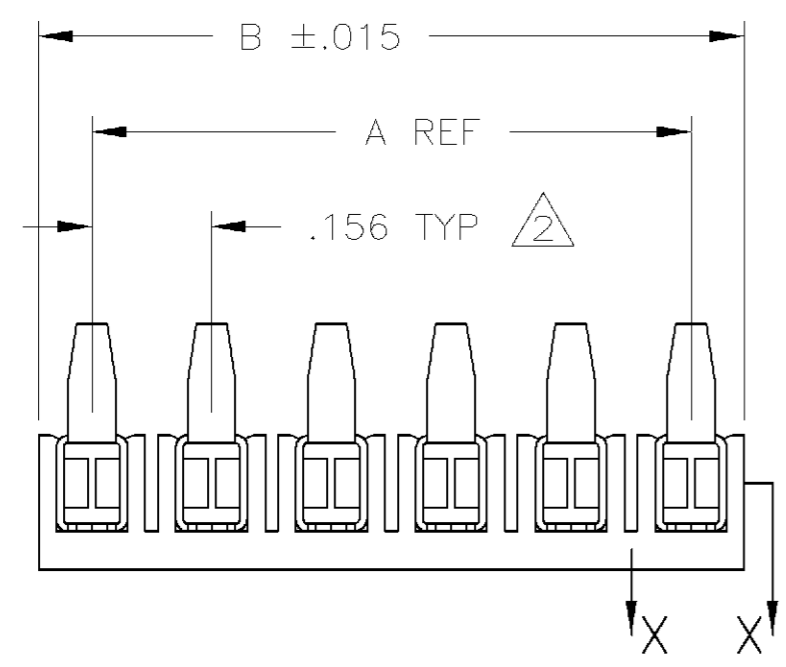
THIS DRAWING IS UNPUBLISHED. RELEASED FOR PUBLICATION
 © COPYRIGHT BY TYCO ELECTRONICS CORPORATION. ALL RIGHTS RESERVED.

LOC		DIST		REVISIONS			
P	LTR	DESCRIPTION		DATE	DWN	APVD	
B		REV PER 063C-0229-01		05SEP01	MB	DS	

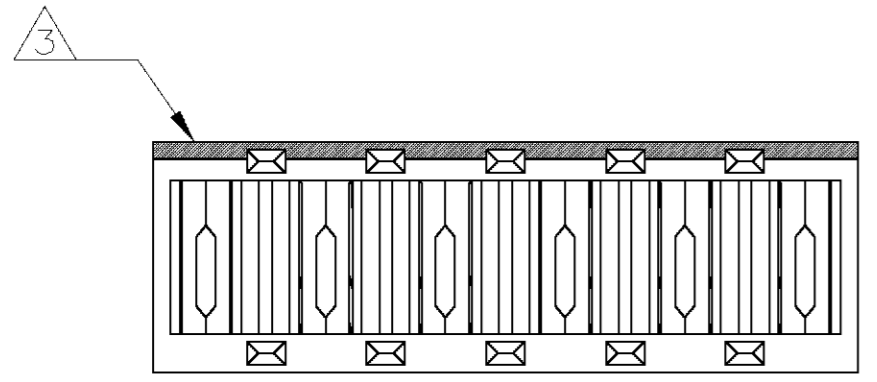


SECTION X-X

- ① POINT OF MEASUREMENT FOR PLATING THICKNESS (INSIDE OF BEAMS).
- ② TOLERANCE NON-CUMULATIVE.
- ③ THE MATING END OF THE CONTACT IS IDENTIFIED BY THE LETTER "A" STAMPED ON THE RECEPTACLE BOX AS WELL AS THE WHITE STRIPE LOCATED ON THE TOP OF THE HOUSING.
- ④ MATERIAL: HOUSING- FLAME RETARDANT THERMOPLASTIC, COLOR- BLACK. CONTACTS- PHOS BRONZE.
- ⑤ FINISH: CONTACTS- .000079 MIN THK TIN PLATE.



RECOMMENDED BOARD MOUNTING
 (RECOMMENDED BOARD THICKNESS: .055-.103)



1.872	1.716	12	1-147534-2
B	A	NO OF POSN	ASSEMBLY PART NUMBER

THIS DRAWING IS A CONTROLLED DOCUMENT.		DWN R BROWN	03NOV00	 Tyco Electronics Corporation City, State, Zip
DIMENSIONS: INCHES		CHK M ZITTO	02NOV00	
TOLERANCES UNLESS OTHERWISE SPECIFIED:		APVD M ZITTO	02NOV00	
0 PLC ± - 1 PLC ± - 2 PLC ± - 3 PLC ± .005 4 PLC ± - ANGLES ± -		NAME		
		PRODUCT SPEC	108-25,016	ASSY, MOD I, BOARD MOUNT RECP.
MATERIAL SEE NOTE 4		APPLICATION SPEC	114-25,004	.156 CL, HIGH PRESSURE, TYPE C, FOR ROUND HOLE MOUNTING
FINISH SEE NOTE 5		WEIGHT	-	RESTRICTED TO
CUSTOMER DRAWING		SIZE	A2	00779
		CAGE CODE	C=147534	SCALE 4:1
		DRAWING NO	147534	SHEET 1 OF 1
		REV	B	