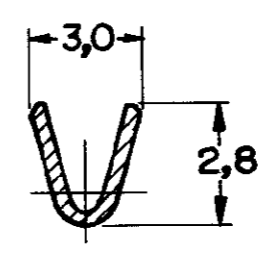
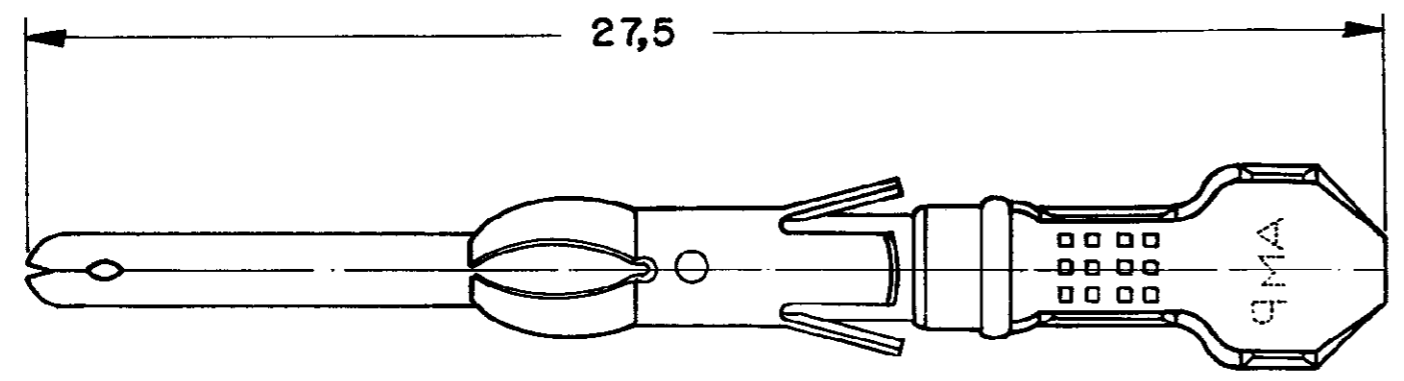
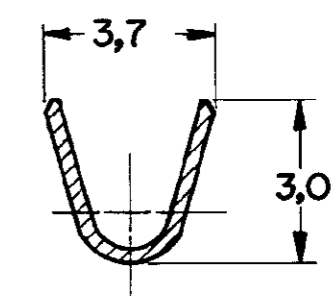


C881459	DWG NO.	DO NOT SCALE		<b>METRIC</b>	3rd ANGLE PROJECTION
		DIMENSIONS IN mm.			
	REQ. PER ASSY	ITEM	DESCRIPTION	MATERIAL	FINISH

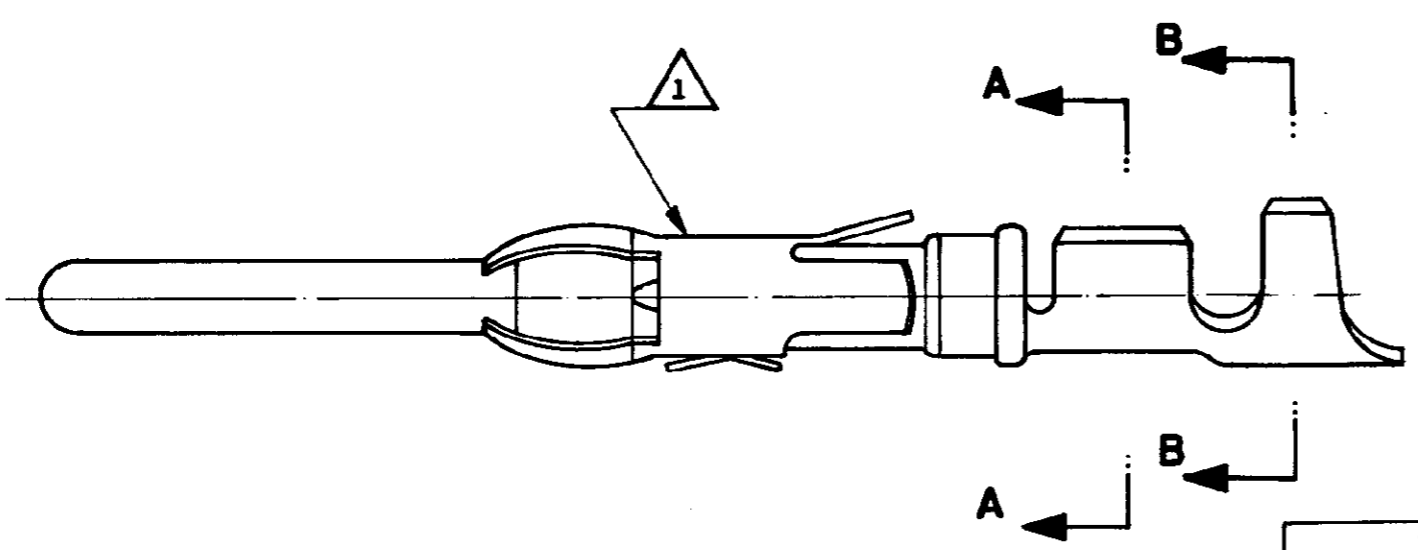


SECÇÃO A-A  
SECTION



SECÇÃO B-B  
SECTION

- ① - MOLA DE AÇO INOX.  
SPRING, STAINLESS STEEL
- ② - INSUL. DIA. RANGE = 2,0 - 2,5 mm (.080 - .100)
- ③ - WIRE RANGE = 0,75 - 1,50 mm<sup>2</sup> (18 - 16 AWG)



163081-2	DOURADO (SEL. GOLD)	LATÃO (BRASS)	881459-2
1-163081-2	PRÉ ESTANHADO (PRE-TIN)	LATÃO (BRASS)	881459-1
MAKE FROM (STRIP)	FINISH	MATERIAL	PART NUMBER
CUSTOMER DWG for REFERENCE ONLY		THIS DRAWING IS UNPUBLISHED RELEASED FOR PUBLICATION	
		© COPYRIGHT 19 BY AMP DO BRASIL LTDA S.P. ALL INTERNATIONAL RIGHTS RESERVED AMP PRODUCTS MAY BE COVERED BY U.S. AND FOREIGN PATENTS AND/OR PATENTS PENDING.	
		TOLERANCES UNLESS OTHERWISE STATED DEC. ± 0,3 ANGLES ± 1°	INS. DIA. RANGE ② WIRE RANGE ③ SCALE — / —
		DR. D. A. ROCHA 26-Apr-93	<b>AMP</b> AMP do BRASIL LTDA. São Paulo, Brasil
		CHK. [Signature]	DESCRIPTION <b>PIN TYPE III+ 1,6 DIA. TERMINAL (LOOSE PIECE)</b>
A REDESENHADO (REDRAWN)	068-93 Dori	26-Apr-93	DE.
O ERA (WAS) P87-29107			
ISS	RE. SON	RECORD	ECN
	DR	CHK	DATE
	APP.	[Signature]	20Apr93
A3	DWG NO	C 881459	SHEET 1 OF 1