

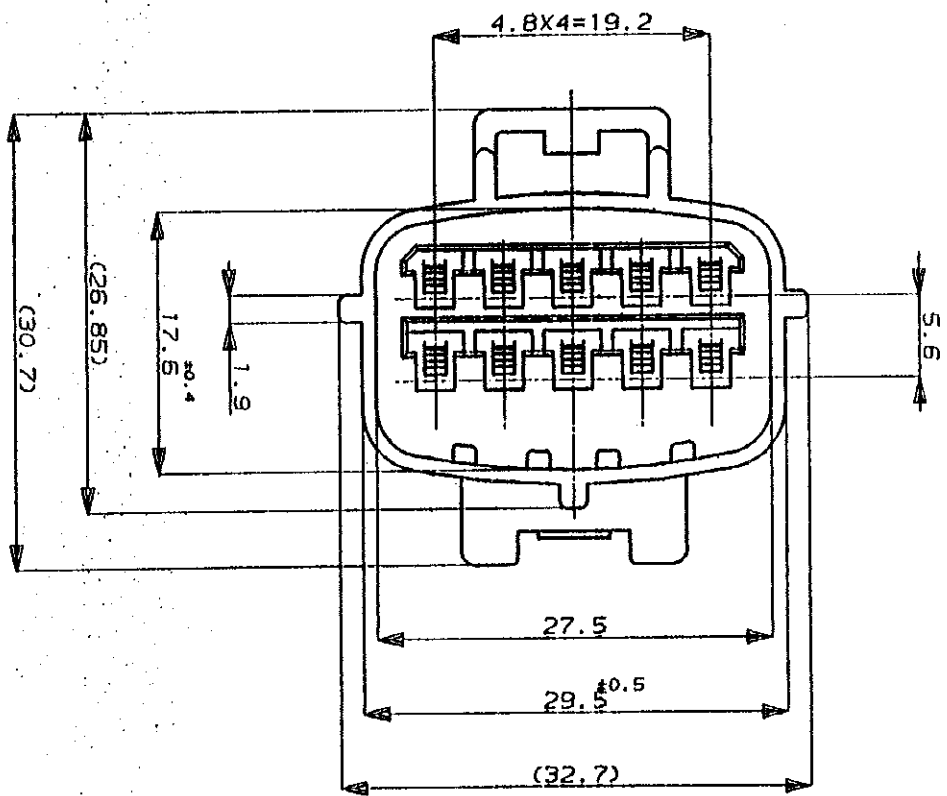
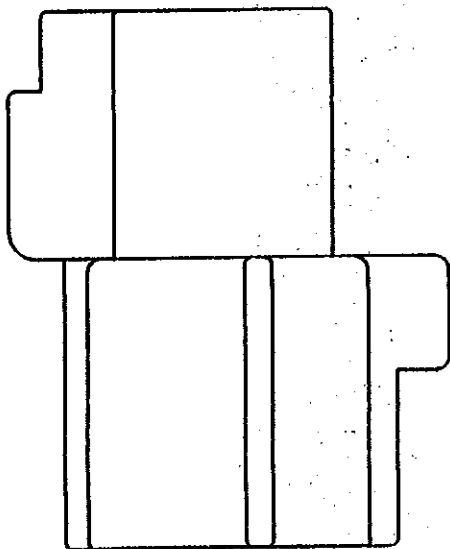
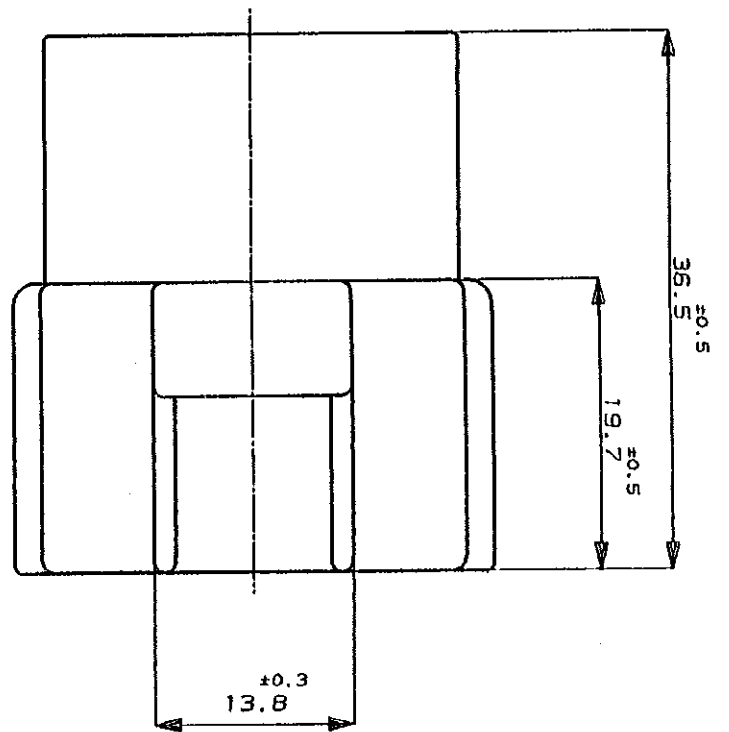
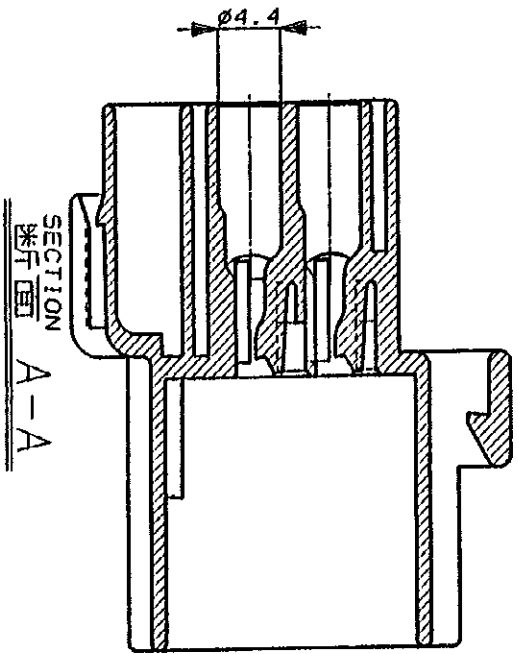
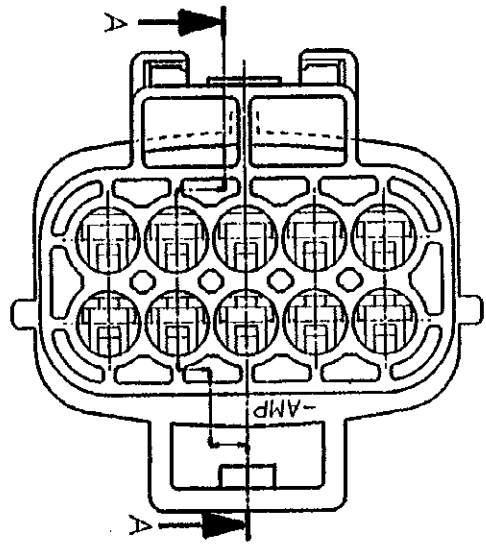
NUMBER
C-174657

3rd ANGLE PROJECTION

METRIC

E16583>U.CAD>U.MAZDA>U.10P>S.C-CAP
DIMENSIONS IN MILLIMETERS. DO NOT SCALE PRINT

PRINT DIST



注：
1 かん合相手型番：174655
2 本品はダブルロックプレート P/N 174658 を装着して使用する

NOTE：
1 FOR PLUG HOUSING (P/N174655)
2 THIS PART MUST BE USED WITH DOUBLE LOCK PLATE (P/N174658)

LTR	REVISION RECORD	DR	CHK	DATE
0	作成 RELEASED	YF	TS	7/9/87
A	変更 REVISED J-10135	TS	MT	5/22/89
B	変更 REVISED J-10986	GS	MO	8/11/91

© 1987 BY AMP (Japan) LTD. ALL RIGHTS RESERVED. BY PATENTS AND OR PATENTS PENDING		1987 BY AMP (Japan) LTD. ALL RIGHTS RESERVED. BY PATENTS AND OR PATENTS PENDING	
UTRS-RANGE mm (AUG)	FINISH BLACK	NAME TOP ECONOSEAL J-MARKIT TM CONNECTOR	GENERAL TOLERANCE 0k 10 : ± 0.2 10k 30 : ± 0.25 30k 100 : ± 0.3 ANGLES : $\pm 3^\circ$
MATERIAL PBT	INSULATION DIA mm	SIZE A3 J	LOC J
DR. K. Oka 7/9/87	DE. K. Oka 11/14/88	AMP (JAPAN) LTD. Tokyo, Japan	NUMBER C-174657
CHK. K. Oka	APP. K. Oka	SCALE 2:1	REV. B
		SHEET 1 OF 1	

CUSTOMER DRAWING

-2 AS SHOWN