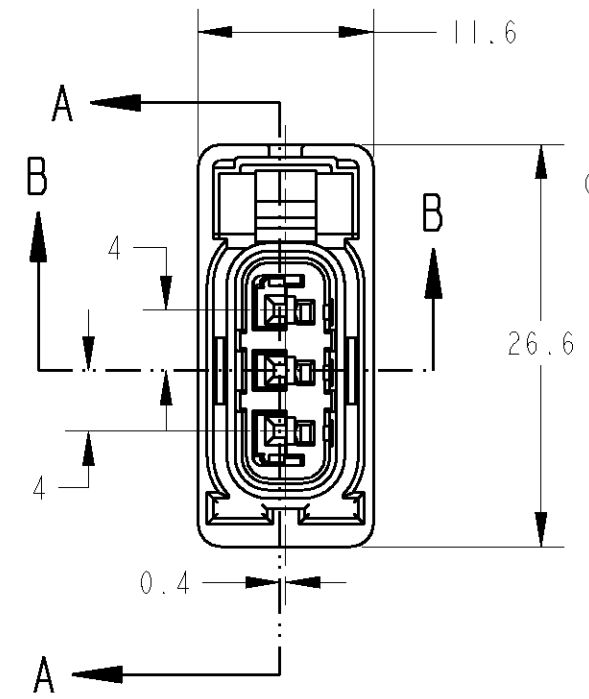
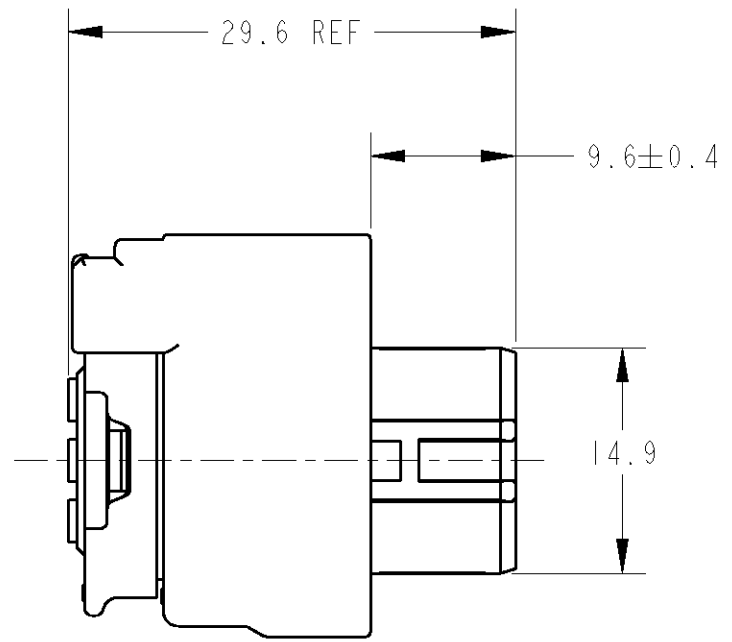
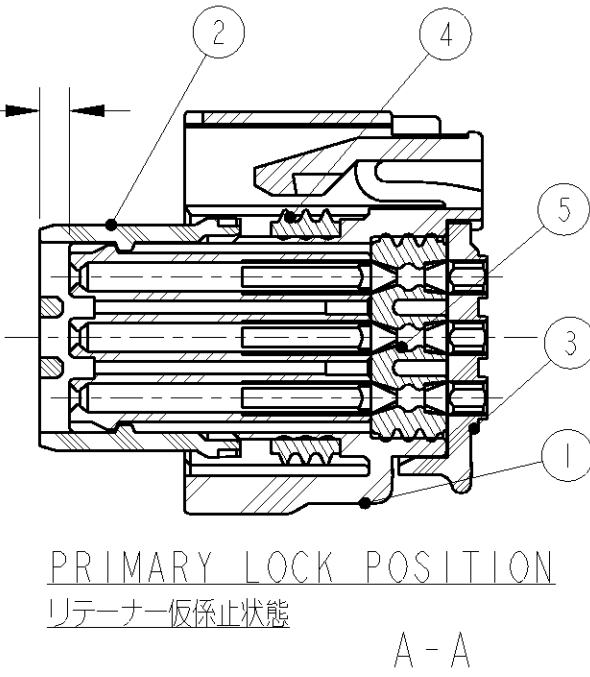


THIS DRAWING IS UNPUBLISHED. RELEASED FOR PUBLICATION 20  
 © COPYRIGHT 20 BY TYCO ELECTRONICS CORPORATION. ALL RIGHTS RESERVED.

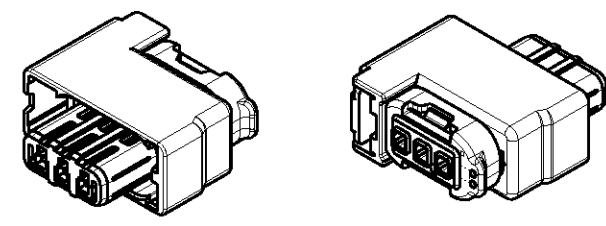
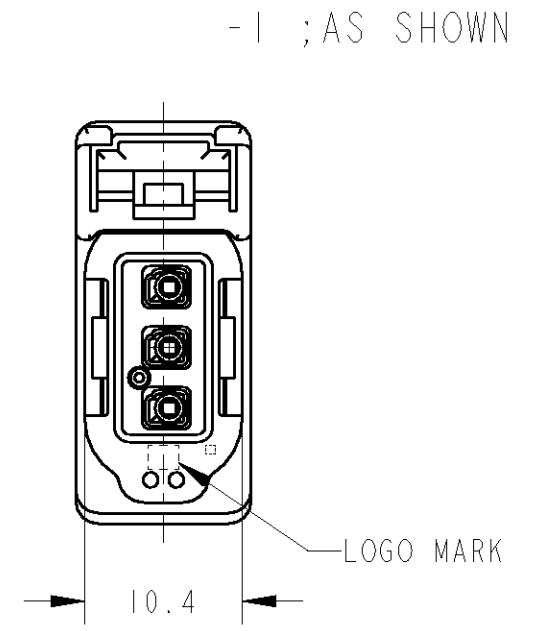
LOC	DIST	REVISIONS						
		P	LTR	DESCRIPTION	ECN	DATE	DWN	APVD
J	-	0		RELEASED	FJA0-0602-04	02NOV04	ET	YF
		A		REVISED	ECR-08-016737	03JUL08	TS	KB



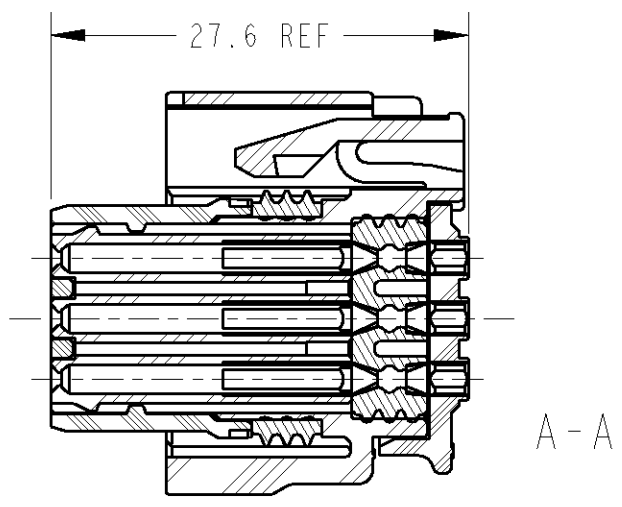
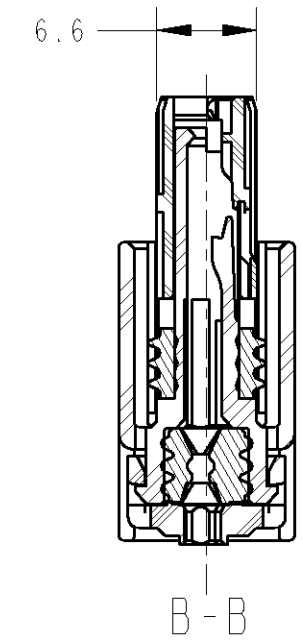
OPERATED STROKE  
操作ストローク



PRIMARY LOCK POSITION  
リテーナー仮係止状態



SCALE 1:1



SECONDARY LOCK POSITION  
リテーナー本係止状態

1. APPLIED TERMINAL ; PN968221-1 (025SIZE)
2. INSTRUCTION SHEET; 411-78143
3. RETAINER SHOULD BE SET TO THE PRE-ASSEMBLY POSITION WITHIN THE PLUG HOUSING WHEN SHIPPED TO THE CUSTOMER.

1. 適用端子型番; PN968221-1 (025サイズ)
2. 取扱説明書; 411-78143
3. プラグハウジングにリテーナーを仮係止して出荷する。

QTY	COLOR	DESCRIPTION	ITEM NO.
個数	色	名称	アイテム番号
1	INDIAN RED	WIRE SEAL	5
1	INDIAN RED	SEAL RING	4
1	YELLOW	WIRE SEAL COVER	3
1	NATURAL	RETAINER	2
1	BLACK	PLUG HOUSING	1

WIRE RANGE 抱合電線断面積	0.5 SQ	INSULATION DIA 被覆外径	1.6~1.7 DIA
DWN E. TAKIZAWA 27OCT04		Tyco Electronics Tyco Electronics Corporation Kawasaki, Japan	
CHK Y. NOGUCHI 27OCT04		NAME 3POSITIONS PLUG ASSEMBLY CLEAN BODY MQS CONNECTOR	
APVD Y. FUJIIWALA 02NOV04		SIZE	RESTRICTED TO
PRODUCT SPEC 108-5941		CAGE CODE	00779
APPLICATION SPEC 114-18021-3		DRAWING NO	1717964
WEIGHT 5.0 g		SCALE	2:1
CUSTOMER DRAWING		SHEET	1 OF 1

DIMENSIONS: 単位: 概 mm		TOLERANCES UNLESS OTHERWISE SPECIFIED:	
一般公差 ±0.3		0-PLC ±	
1-PLC ±0.1		2-PLC ±0.01	
3-PLC ±0.001		4-PLC ±0.0001	
ANGLES ±3'00"		FINISH 住主 SEE TABLE	
MATERIAL 材料 PBT SILICONE		COLOR	