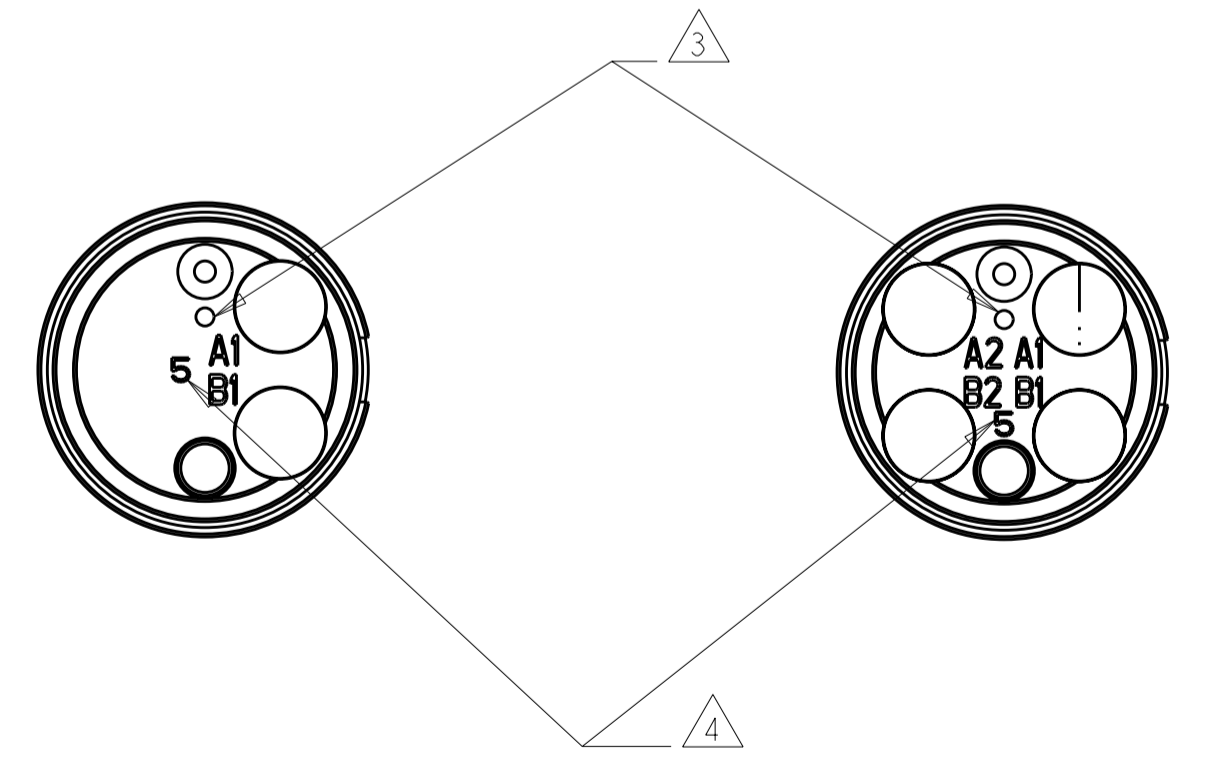
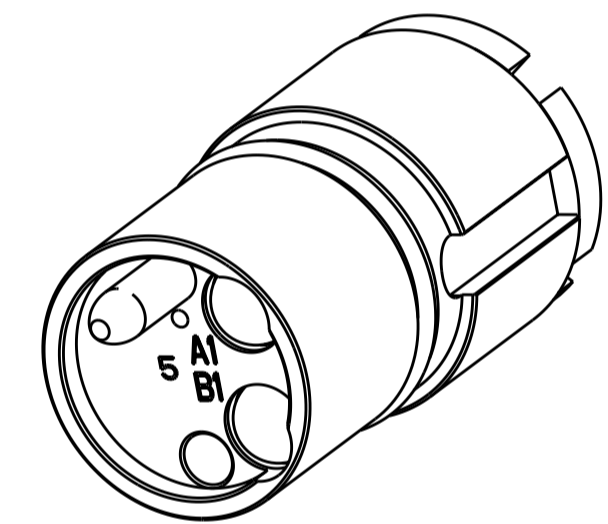
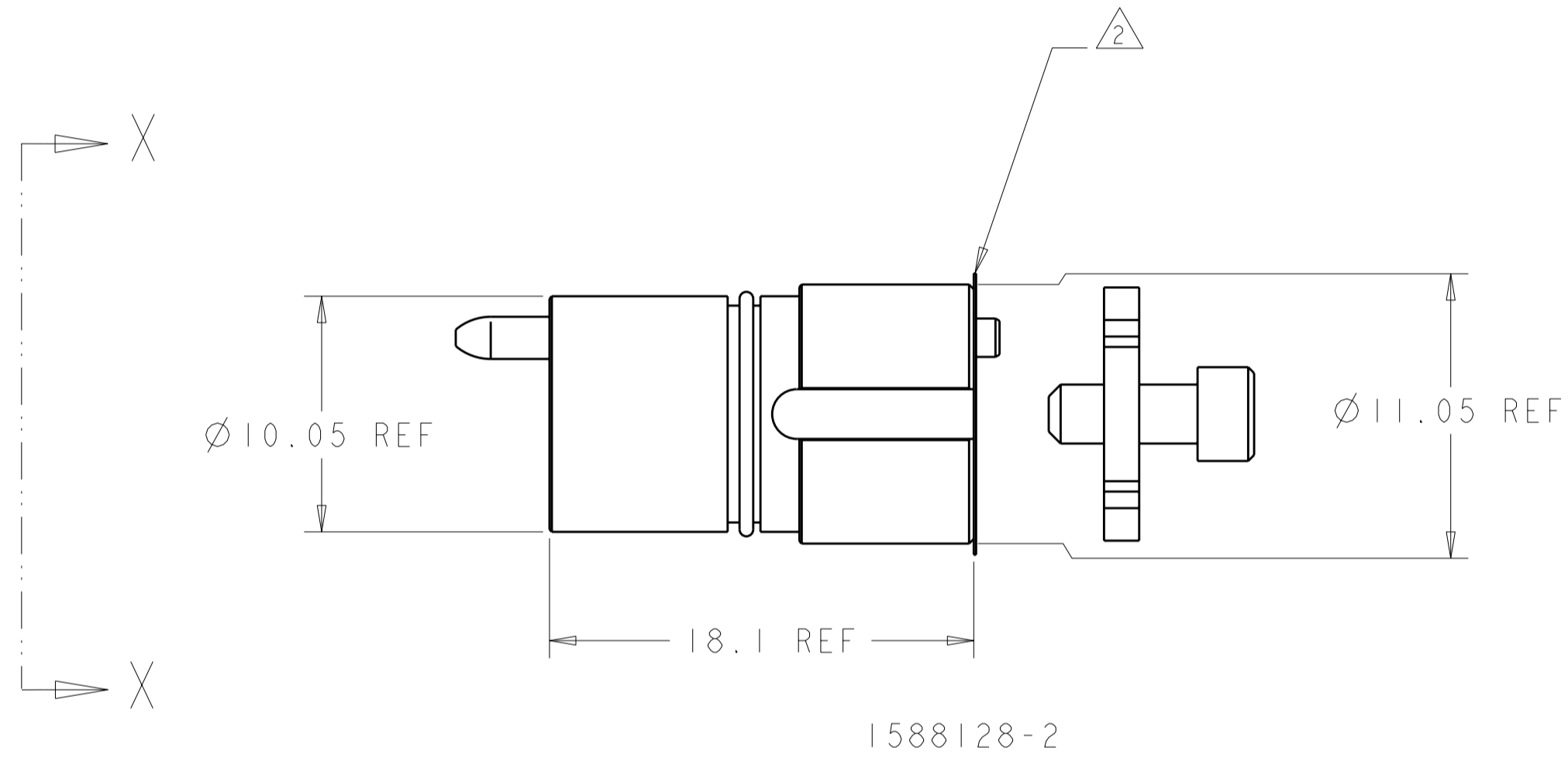


THIS DRAWING IS UNPUBLISHED. RELEASED FOR PUBLICATION 20  
 © COPYRIGHT 20 BY TYCO ELECTRONICS CORPORATION. ALL RIGHTS RESERVED.

LOC	DIST	REVISIONS					
		P	LTR	DESCRIPTION	DATE	DWN	APVD
CE	16		B	RELEASE PER 0A00-0185-04	08JUN04	KG	DW
			C	ECR-07-018681	21AUG07	KG	DW
			D	ECR-09-011638	22MAY2009	KG	DW
			DI	ECR-09-024182	05NOV2009	KG	DW

NOTES:

1. THIS PRODUCT HAS NOT COMPLETED VALIDATION TESTING.
2. PROTECTIVE LABEL APPLIED AFTER FINAL CLEAN ROOM TEST TO PREVENT OPTICAL CAVITY CONTAMINATION. REMOVE ONLY WHEN READY TO ASSEMBLE.
3. SINGLEMODE IDENTIFIER
4. OPTIMIZED FOR 1550nm IDENTIFIER.
5. FOR USE WITH JACKETED CABLE FERRULE ASSEMBLY P/N 1754456-1, 125um, OR 1754456-2, 126um. ONE PER FIBER; PC-POLISH.
6. FOR USE WITH FERRULE ASSEMBLY KIT P/N 1754700-1, 125um, OR 1754700-2, 126um. ONE PER FIBER; PC-POLISH.



1588128-2/-4

1588128-3/-5

VIEW X - X  
 (SHOWN WITHOUT PROTECTIVE LABEL)

DESCRIPTION	PART NUMBER
4 CHANNEL, 1550nm SM	1588128-5
2 CHANNEL, 1550nm SM	1588128-4
4 CHANNEL, 1550nm SM	1588128-3
2 CHANNEL, 1550nm SM	1588128-2
1 CHANNEL, 1550nm SM	1588128-1

6 OBSOLETE

THIS DRAWING IS A CONTROLLED DOCUMENT FOR TYCO ELECTRONICS CORPORATION. IT IS SUBJECT TO CHANGE AND THE CONTROLLING ENGINEERING ORGANIZATION SHOULD BE CONTACTED FOR THE LATEST REVISION.		DWN K. GLATFELTER 16 APR 2004	Tyco Electronics Harrisburg, PA 17105-3608	
DIMENSIONS: mm		CHK D. WERTMAN 07 JUN 2004	NAME INSERT ASSEMBLY, MINI EB, 1550nm SM	
TOLERANCES UNLESS OTHERWISE SPECIFIED: 0 PLC ± 1 PLC ± 2 PLC ± 3 PLC ± 4 PLC ± ANGLES ± FINISH		APVD D. WERTMAN 07 JUN 2004	RESTRICTED TO	
MATERIAL STAINLESS ALLOYS & NBR		PRODUCT SPEC -	SIZE A2	CAGE CODE 00779
		APPLICATION SPEC -	DRAWING NO 1588128	REV DI
		WEIGHT -	SCALE 4:1	SHEET 1 OF 1
		CUSTOMER DRAWING		