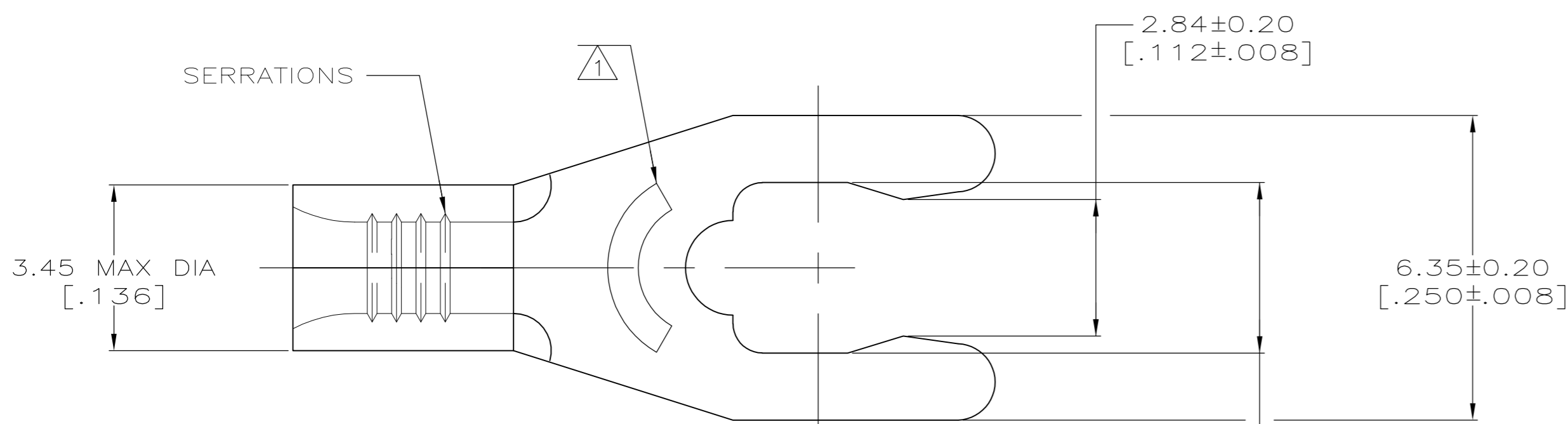


THIS DRAWING IS UNPUBLISHED. RELEASED FOR PUBLICATION
 © COPYRIGHT BY TYCO ELECTRONICS CORPORATION. ALL INTERNATIONAL RIGHTS RESERVED.

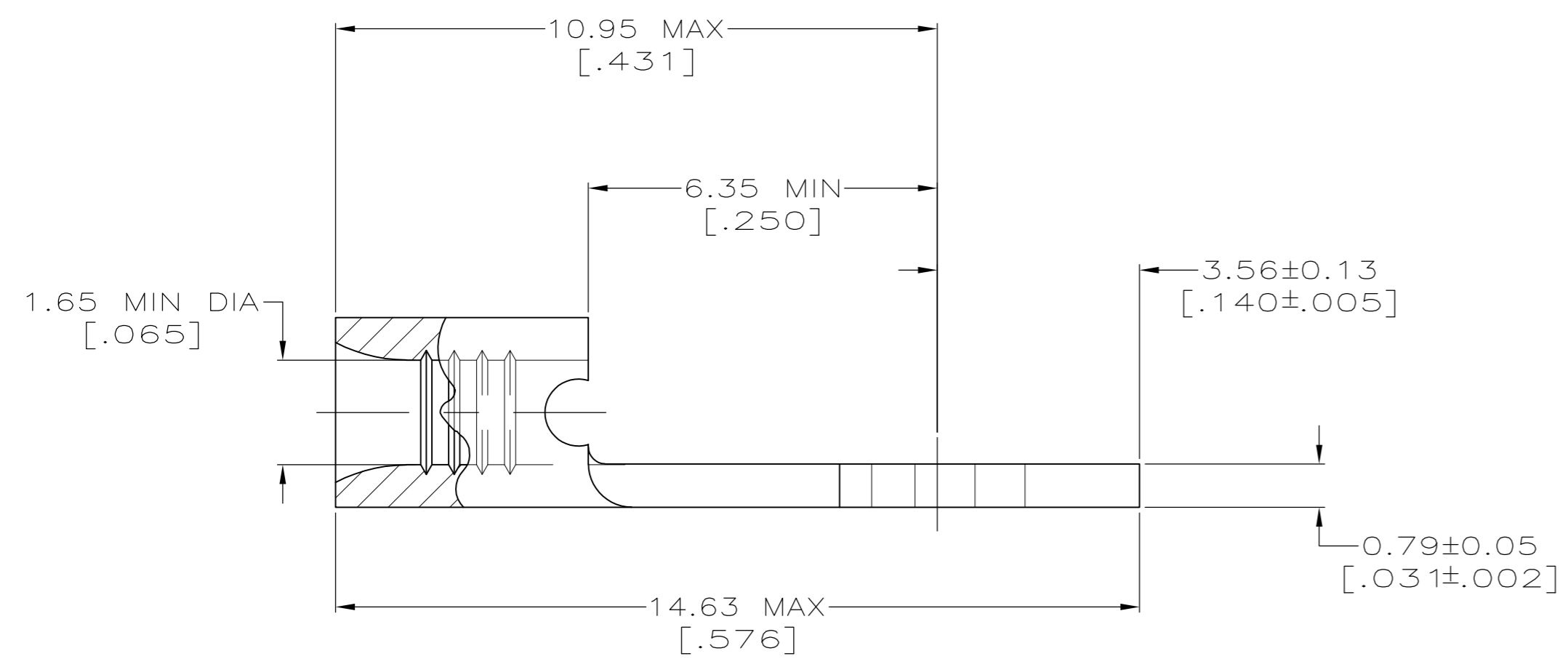
LOC	DIST	REVISIONS			
P	LTR	DESCRIPTION	DATE	DWN	APVD
G	14	B1	REDRAWN PER ECR 10-006147	23MAR10	JR TM



AMP WIRE RANGE	Listed FILE E13288	LR7189 Certified
22-16 AWG STRANDED	22-16 AWG STRANDED	NOT CERTIFIED



- 1 STAMP 6S AMP 22-18* APPROX AS SHOWN
22-16 TERMINALS ARE STAMPED 22-18 IN
ACCORDANCE WITH MILITARY SPEC SAE-AS7928
COMMERCIAL WIRE RANGE IS 22-16
6S INDICATES STUD SIZE
- 2 PHOS BRONZE PER ASTM B103, ANNEALED
- 3 TIN PLATE 0.00254 [.000100] MIN THK PER
ASTM B545



53006-1
PART NO.

CUSTOMER SERVICE SYSTEMS		MAX RECOMMENDED OPERATING TEMPERATURE: 170°C MAX
FOR ADDITIONAL PRODUCT INFORMATION OR COPIES OF DRAWINGS AND TECHNICAL DOCUMENTS	PRODUCT INFORMATION CENTER 1-800-522-6752	VOLTAGE RATING: N/A
FOR APPLICATION	TOOLING ASSISTANCE CENTER	CIRCULAR MIL AREA: 0.26-1.65mm ² [509-3260] STRANDED
TOOLING INFORMATION	1-800-722-1111	
FOR ORDER ENTRY	1-800-526-5142	

THIS DRAWING IS A CONTROLLED DOCUMENT.	
DIMENSIONS: mm [INCHES]	TOLERANCES UNLESS OTHERWISE SPECIFIED:
	0 PLC ± - 1 PLC ± - 2 PLC ± - 3 PLC ± - 4 PLC ± - ANGLES ± -
MATERIAL	FINISH
- 2	- 3

DWN TA BRINKMAN 2-11-93	Tyco Electronics Corporation Harrisburg, PA 17105-3608
CHK DA PATTERSON 2-11-93	
APVD JL MECKLEY 2-11-93	
PRODUCT SPEC	
APPLICATION SPEC	NAME TERMINAL, SHORT SPRING SPADE, BUDGET
WEIGHT	SIZE A2
CUSTOMER DRAWING	CAGE CODE 00779
SCALE 10:1	DRAWING NO C=53006
SHEET 1 of 1	RESTRICTED TO -
REV B1	