



Spot



Wide



Oval



Medium



Universal TIR Optics

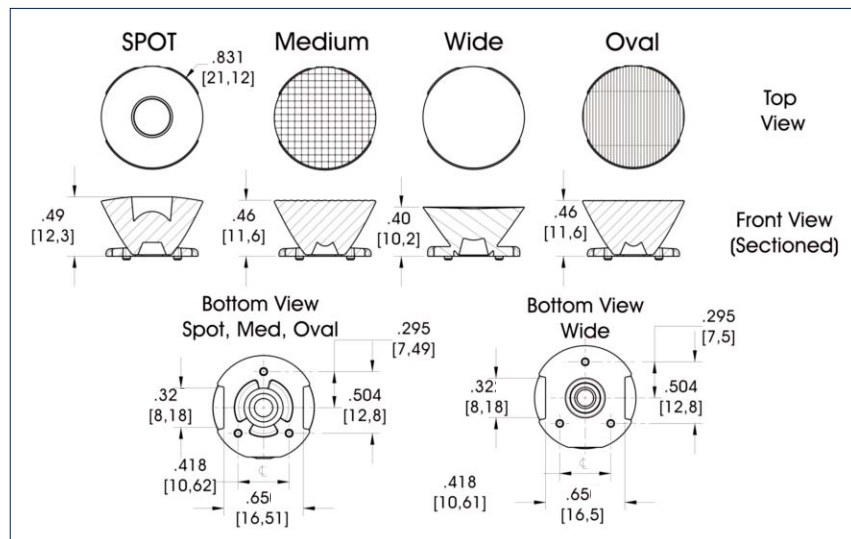
Adhesive-Backed Lens System

Features / Benefits

- For LUXEON® Rebel ES, rebel LXLM
- For Cree XPG and XTE
- For Nichia 219B
- Available in spot, medium, wide and oval lenses
- Integral self-adhesive pad
- Compact size
- Greater than 80% efficiency
- 3 alignment tabs to ensure accurate placement over LED

Specifications

Operating Temp:	-40°F to +230°F (-40°C to +110°C)
Material:	Optical grade polycarbonate
Listing:	UL 94-V2



Ordering Codes

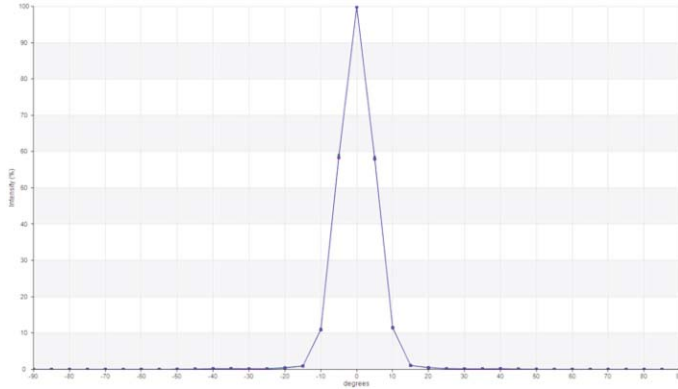
BASE LENSES		
Dialight P/N	Description	Degree type
OPXC-1-SPOT	Spot Base Module	6°
OPXC-1-MED	Medium Base Module	14°
OPXC-1-WIDE	Wide Base Module	21°
OPXC-1-OVAL	Oval Base Module	6° X 20°

All angles refer to half divergence
Dashes are for reference only

Universal TIR Optics

Light Intensity Distribution

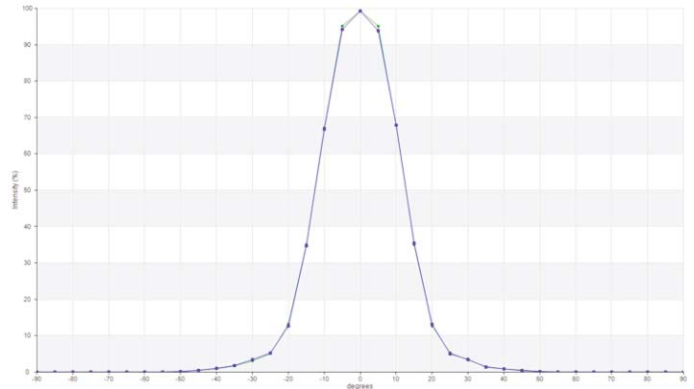
Spot



The typical full-width at half-maximum emission angle

- 10° (+/- 5 degree) for Cree XPG
- 10° (+/- 5 degree) for Cree XTE
- 12° (+/- 6 degree) for Luxeon rebel ES
- 10° (+/- 5 degree) for Luxeon rebel LXLM
- 13° (+/- 6.5 degree) for Nichia 219B

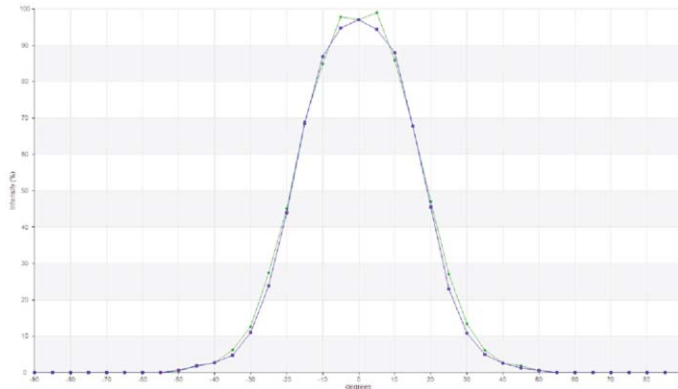
Medium



The typical full-width at half-maximum emission angle

- 23° (+/- 12.5 degree) for Cree XPG
- 24° (+/- 12 degree) for Cree XTE
- 24° (+/- 12 degree) for Luxeon rebel ES
- 27° (+/- 13.5 degree) for Luxeon rebel LXLM
- 24° (+/- 12 degree) for Nichia 219B

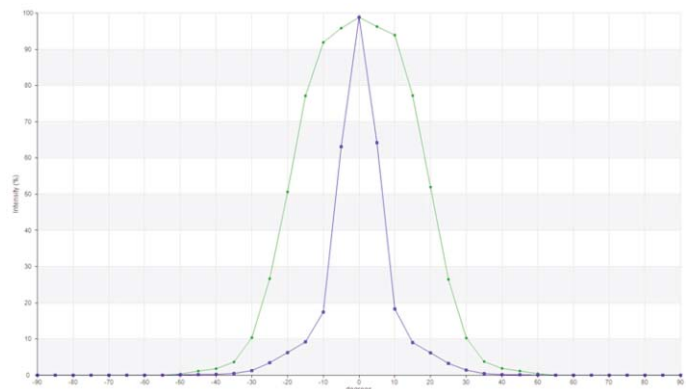
Wide



The typical full-width at half-maximum emission angle

- 47° (+/- 23 degree) for Cree XPG
- 50° (+/- 25 degree) for Cree XTE
- 50° (+/- 25 degree) for Luxeon rebel ES
- 40° (+/- 20 degree) for Luxeon rebel LXLM
- 50° (+/- 25 degree) for Nichia 219B

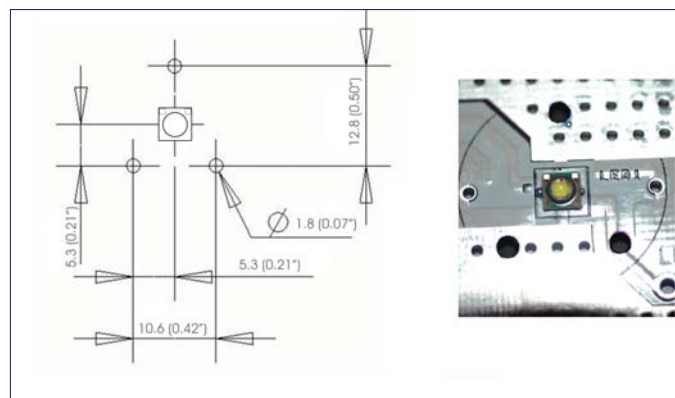
Oval



The typical full-width at half-maximum emission angle

- 44° x 15° (+/- 22x7 degree) for Cree XPG
- 44° x 15° (+/- 22x7.5 degree) for Cree XTE
- 43° x 17° (+/- 21.5x8.5 degree) for Luxeon rebel ES
- 43° x 18° (+/- 21.5x9 degree) for Luxeon rebel LXLM
- 44° x 18° (+/- 22x9 degree) for Nichia 219B

PCB ALIGNMENT DIMENSION DETAILS



For photometric data on other models, please contact factory

Dialight reserves the right to make changes at any time in order to supply the best product possible.

The most current version of this document will always be available at:

www.dialight.com/Assets/Brochures_And_Catalogs/Illumination/MDEXLUMADBCREEXP.pdf