

MODEL NUMBER  
CPL-5226-XX-TNC-79  
REV.  
A

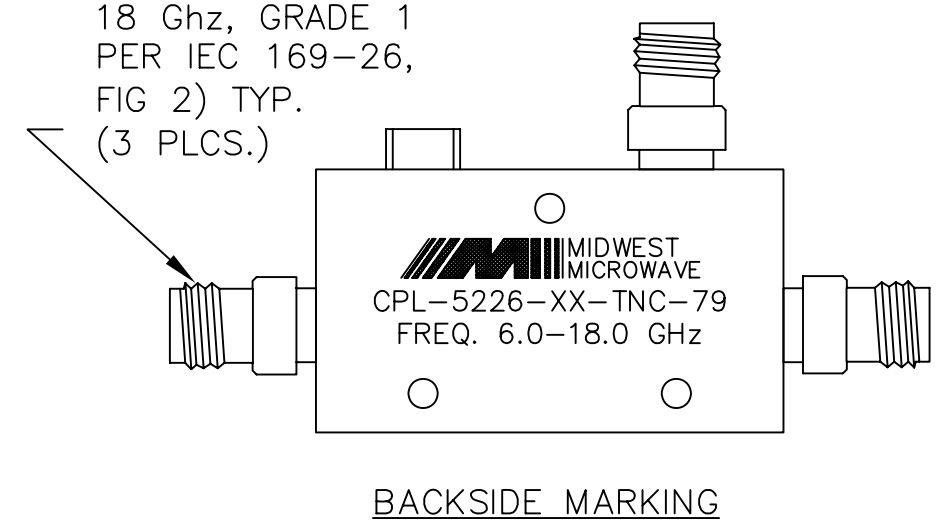
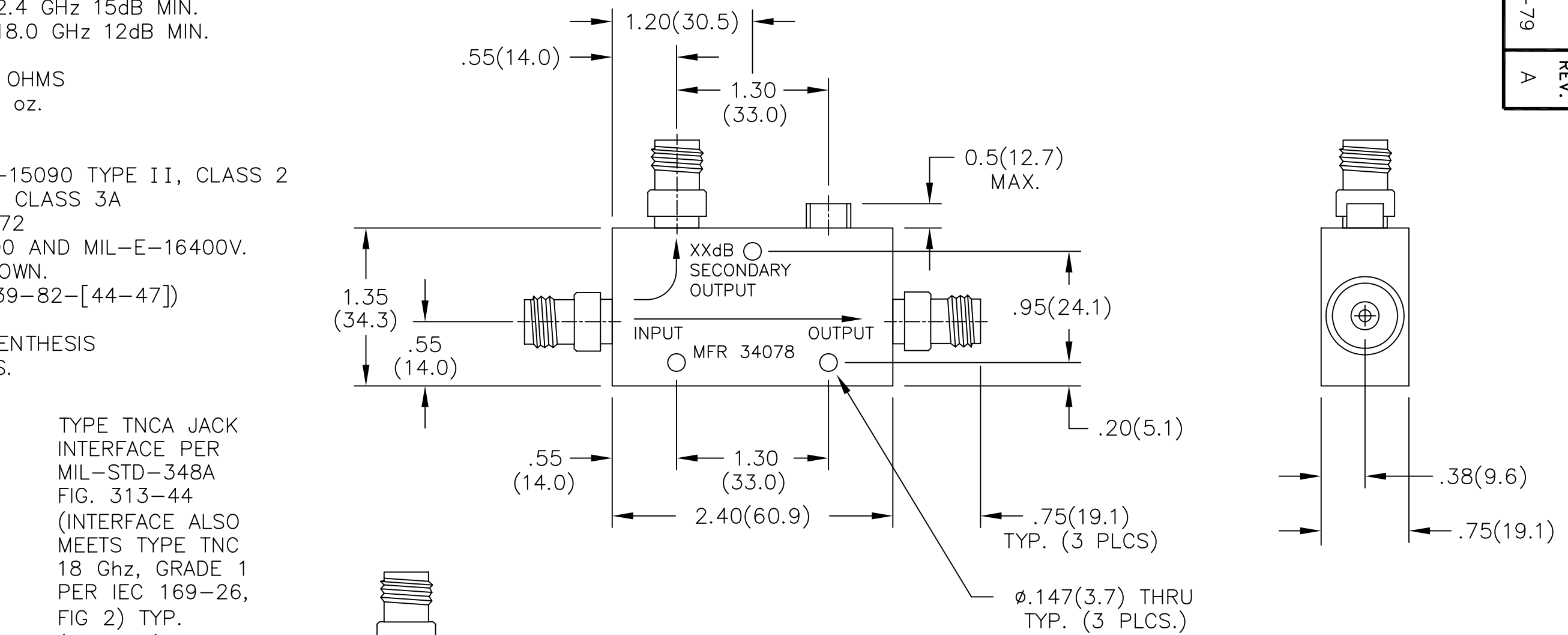
NOTES:

- 1.0 ELECTRICAL SPECIFICATIONS:  
 1.1 FREQUENCY RANGE: 6.0 to 18.0 GHz  
 1.2 FREQ. SENSITIVITY: ±0.75  
 1.3 COUPLING: SEE TABLE  
 1.4 VSWR (MAX): 1.50:1  
 1.5 INSERTION LOSS (EXC. COUPLED POWER):  
 0.80dB MAX.  
 1.6 DIRECTIVITY: 6.0-12.4 GHz 15dB MIN.  
 12.4-18.0 GHz 12dB MIN.  
 1.7 POWER: SEE TABLE  
 1.8 RF IMPEDANCE: 50 OHMS  
 1.9 WEIGHT (MAX.): 6.8 oz.

- 2.0 FINISHING:  
 2.1 GREY OVER MIL-E-15090 TYPE II, CLASS 2  
 OVER MIL-C-5541 CLASS 3A  
 MEETS MIL-F-14072  
 MEETS MIL-E-5400 AND MIL-E-16400V.  
 2.2 MARK UNIT AS SHOWN.  
 (REF.: SLK-08139-82-[44-47])

3.0 DIMENSIONS IN PARENTHESIS  
 ARE IN MILLIMETERS.

CPL-5226-20-TNC-79	20dB	50	50	3,000
CPL-5226-16-TNC-79	16dB	50	40	3,000
CPL-5226-10-TNC-79	10dB	50	10	3,000
CPL-5226-06-TNC-79	6dB	50	10	3,000
CPL-5226-XX-TNC-79 MODEL NUMBER	-XX ±1.0dB COUPLING	INPUT	REF.	PEAK
		POWER (WATTS)		



UNLESS OTHERWISE NOTED DIMENSIONS ARE IN INCHES AND TOLERANCES ARE:  
 3 PLACE DECIMALS ±.005  
 2 PLACE DECIMALS ±.02  
 FRACTIONS ±1/64  
 PARALLELITY: T.I.R. \_\_\_\_\_  
 FLATNESS: T.I.R. \_\_\_\_\_  
 CONCENTRICITY: T.I.R. \_\_\_\_\_  
 ANGLES AND PERPENDICULARITY: ±1'

FSCM NO. <b>34078</b>		<b>MIDWEST MICROWAVE</b>	
NOTICE: The information contained in this drawing is proprietary and must not be used without the permission of Midwest Microwave		TITLE DIRECTIONAL COUPLER	
DRAWN/DATE S.ORLOV 5/9/06	ENG./DATE R.HALL 5/9/06	DRAWING NUMBER CPL-5226-XX-TNC-79	
CHECKED/DATE	APPROVED/DATE	SCALE: 1=1	SHEET 1 of 1

DATE	5/9/06	6/21/06
DESCRIPTION	RELEASED	ECN 20914
REV.	-	A