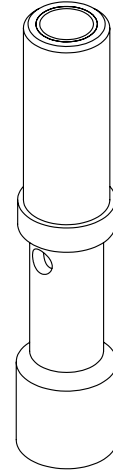
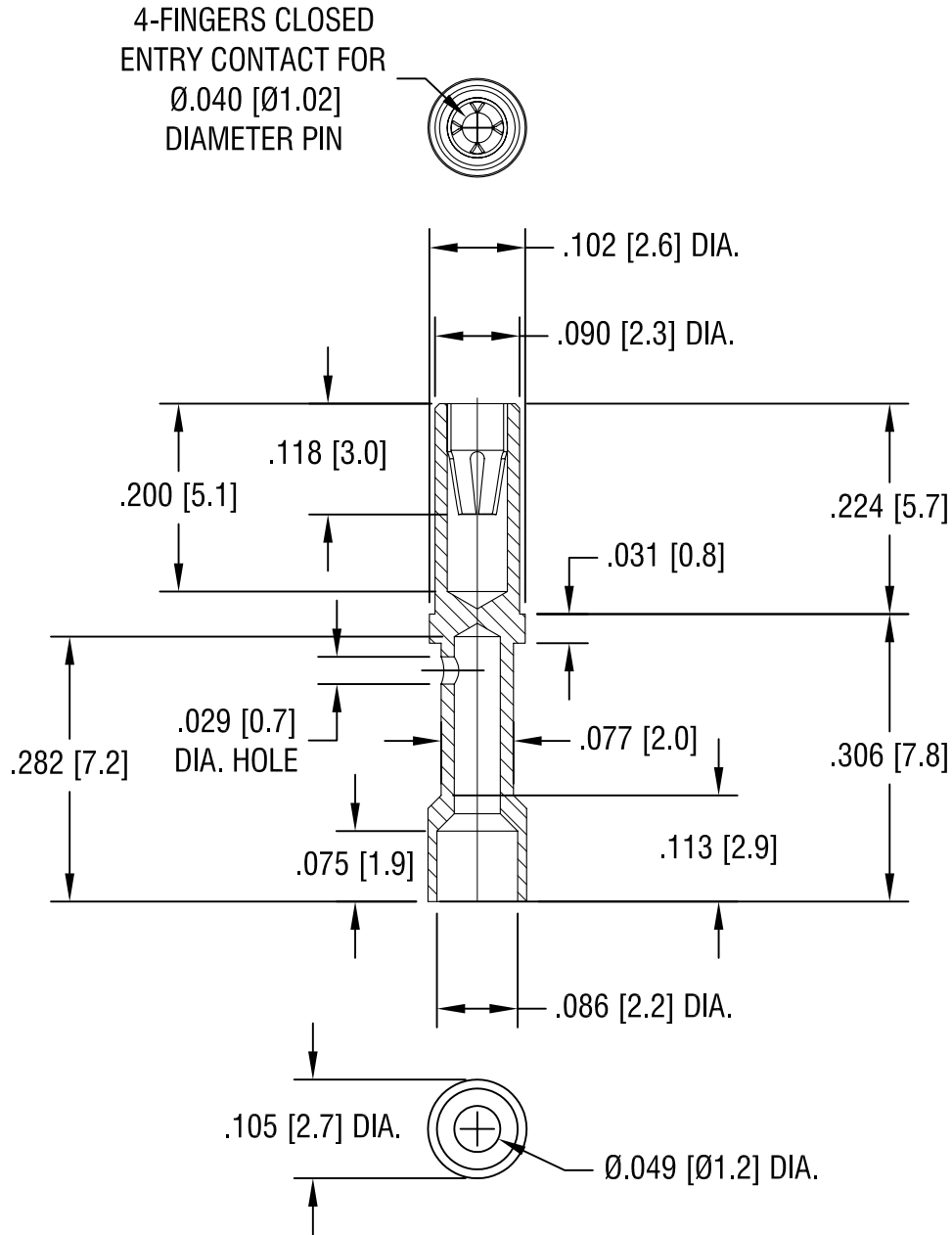


THIS DOCUMENT IS THE PROPERTY OF KEYSTONE ELECTRONICS CORP. AND SHALL NOT BE REPRODUCED, DISTRIBUTED OR USED AS A BASIS FOR MANUFACTURE WITHOUT PRIOR WRITTEN PERMISSION FROM KEYSTONE ELECTRONICS CORP.



NOTES:

1. BODY: MAT'L - BRASS
2. SPRING CONTACT: MAT'L - BERYLLIUM COPPER
3. ACCEPTS .040 DIA. PIN

KEYSTONE ELECTRONICS CORP.

www.keyelco.com • ASTORIA, N.Y. 11105-2017 • Tel (718) 956-8900

PART NAME		JACK FOR .032 [.81]-.046 [1.17] DIA. PINS	
MATERIAL		AS NOTED	
FINISH	GOLD PLATE	DRN BY	NT
		DATE	3.29.07
		APP'D	LN
		SCALE	5X
TOLERANCES	INCH [MM]	CODE	DWG NO.
DECIMAL	± .005 [± 0.15]	C/M	3593
ANGULAR	± 1°		
UNLESS OTHERWISE SPECIFIED			

3.11.08	AS PER ECN 08-094	A
DATE	DESCRIPTION	REV.