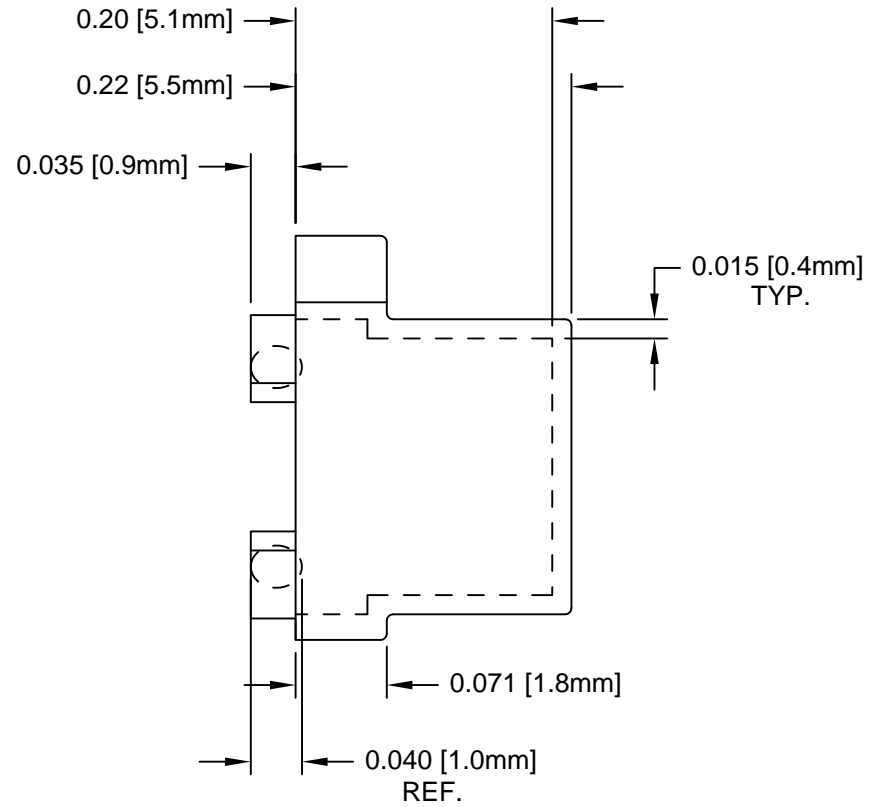
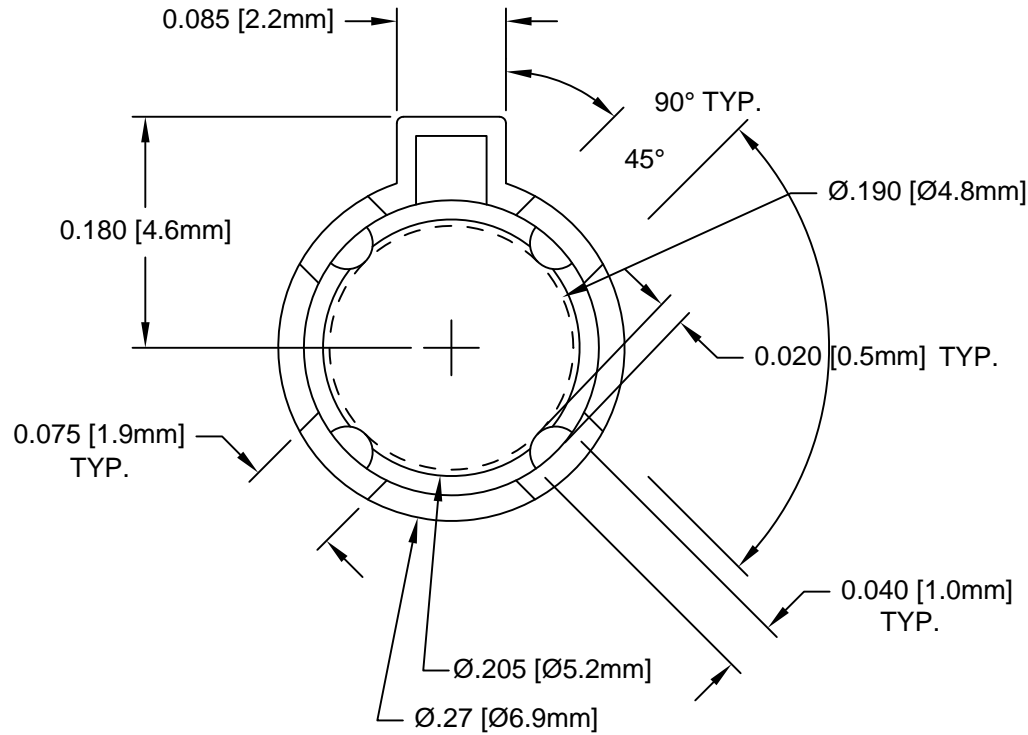


REV.	DESCRIPTION	DATE	APPROVED
A	Engineering Release	04/05/04	M. C.
B	Engineering Update	11/04/04	M. C.
C	Request for Quotation	07/12/11	T. Y.
D	Dimensioned Bumps	03/13/12	T. Y.
E	Removed Material Code	05/22/16	J. C.



2. MATERIAL: NYLON 6/6, 94V-2, NATURAL.

1. GENERAL SPECIFICATIONS: BIVAR MOLDED COMPONENT SPECIFICATION BV00-E101.

STANDARD TOLERANCE (UNLESS OTHERWISE SPECIFIED)		BIVAR®	
DECIMALS	ANGULAR	4 THOMAS, IRVINE, CA. 92618 TEL: (949) 951-8808 FAX: (949) 951-3974	
.X ± .1	X° ± 1°	TITLE: TRANSISTOR CAP	
.XX ± .01		DESIGNED: T. Yin	DATE: 04/05/04
.XXX ± .005		CHECKED: D. Green	DATE: 04/05/04
		PART NO: 426-250	REVISION: E
		CAGE CODE : 32559	SHEET # 1 OF 1
CAD GENERATED DOCUMENT. DO NOT MEASURE DRAWING.			