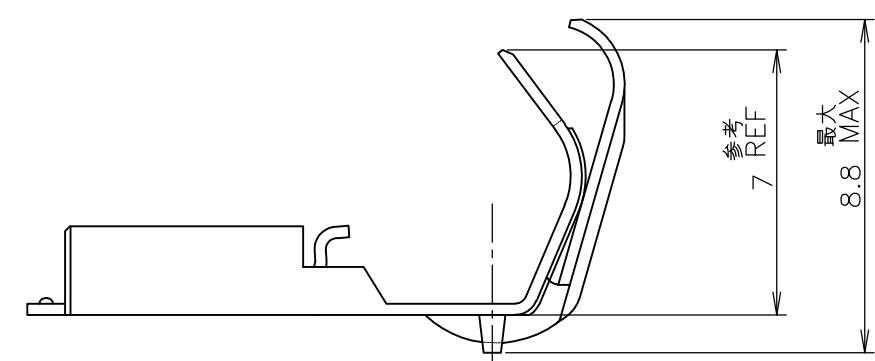
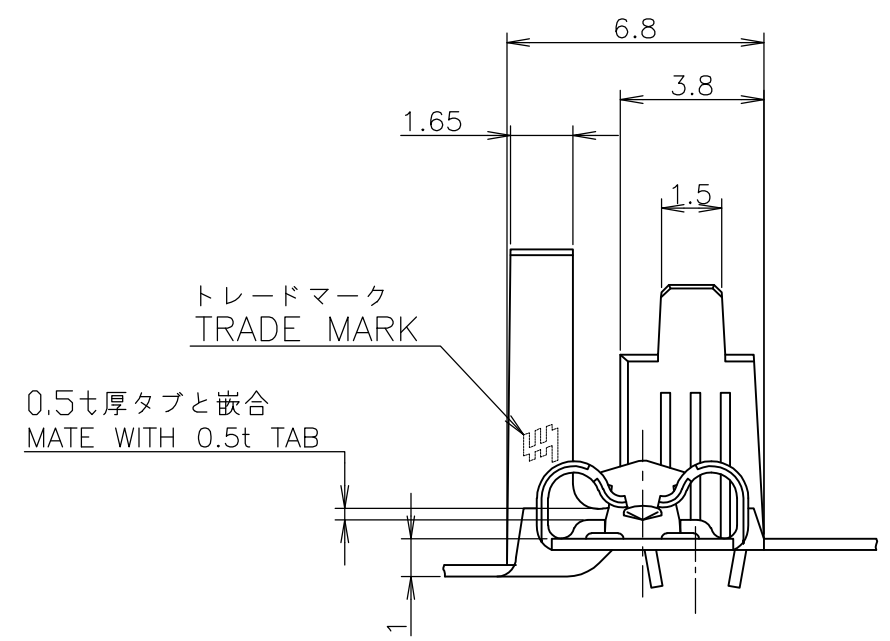
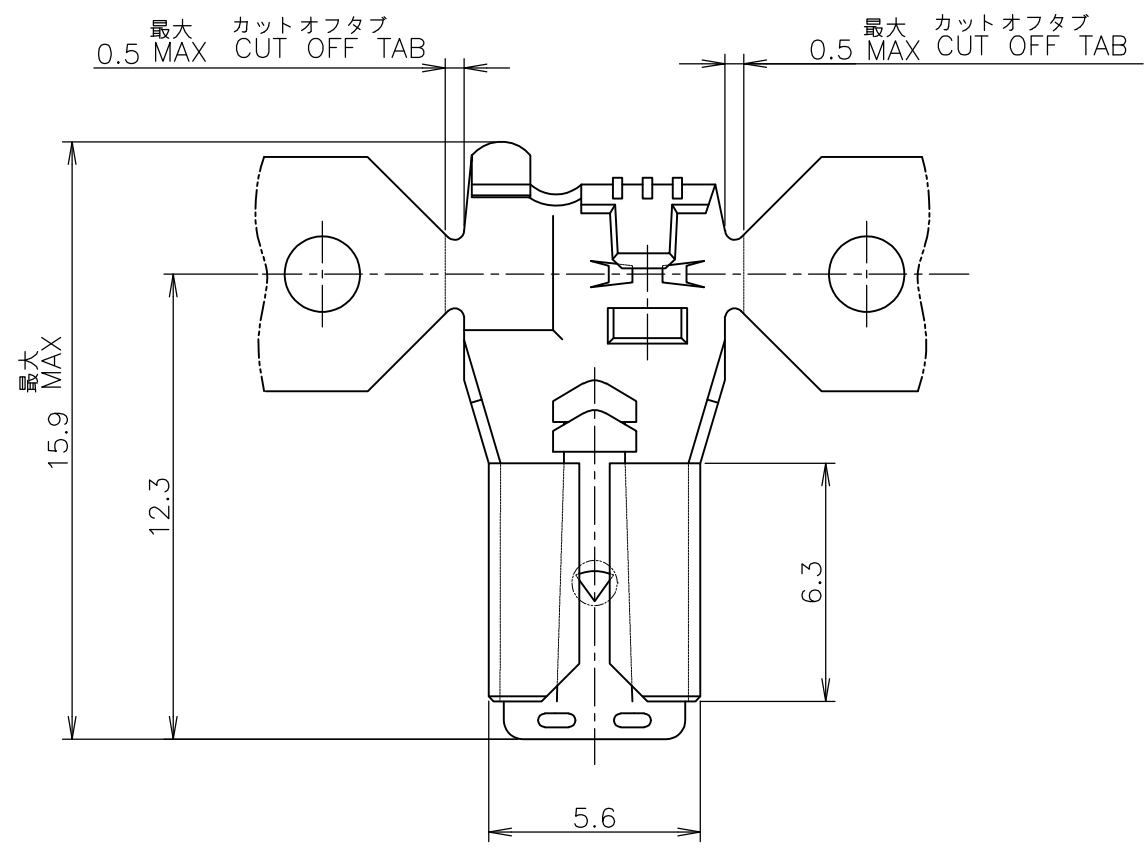


THIS DRAWING IS UNPUBLISHED. RELEASED FOR PUBLICATION JUL, 1999.
 © COPYRIGHT 1999 By - ALL RIGHTS RESERVED.

LOC	DIST	REVISIONS 変更			
P	LTR	DESCRIPTION	DATE	DWN	APVD
J	/	F1	REVISED PER ECO-11-005030	11MAR11	RK HMR

-1; AS SHOWN



- 1 APPLICABLE SLEEVE P/N: 1717269, 178708
- 1 適用スリーブ型番: 1717269, 178708

PRE TIN HIGH HEAT RESISTANCE COPPER ALLOY 0.3t	175019-6
錫めっき済み高耐熱銅合金 0.3t	
PRE TINNED PHOSPHOR BRONZE 0.3t	175019-5
錫めっき済み燐青銅 0.3t	
PRE TINNED BRASS 0.3t	175019-1
錫めっき済み黄銅 0.3t	
MATERIAL 材質	P/N 型番
WIRE RANGE 抱合電線断面積	AWG #22-#16 0.3~1.42 mm ²
INSULATION DIA 被覆外径	1.5~4.32 mm ϕ



DWN M.SUZUKI 07JUL1999		NAME 名称	
CHK M.SHINDO 07JUL1999		187 SERIES FLAG POSITIVE LOCK-EX REC. 187 シリーズ・旗型・ポジティブロック EX リセブタクル	
APVD M.SHINDO 07JUL1999		SIZE	RESTRICTED TO
PRODUCT SPEC 製品規格 108-5250		CAGE CODE	
APPLICATION SPEC 取付適用規格 114-5118		DRAWING NO 番号 C-175019	
WEIGHT		A3 00779	SCALE 尺度 5:1
CUSTOMER DRAWING		SHEET 1 OF 1	REV F1

THIS DRAWING IS A CONTROLLED DOCUMENT.	
DIMENSIONS: 単位: 耗 mm	TOLERANCES UNLESS OTHERWISE SPECIFIED: 一般公差
	0 PLC ±
	1 PLC ±
	2 PLC ±
	3 PLC ±
MATERIAL 材料 表参照 SEE TABLE	4 PLC ±
	ANGLES ±
	FINISH 仕上

GENERAL TOLERANCE 一般公差
10 ≥ : ±0.2
30 ≥ > 10: ±0.25
100 ≥ > 30: ±0.3
ANGLES: ±3°