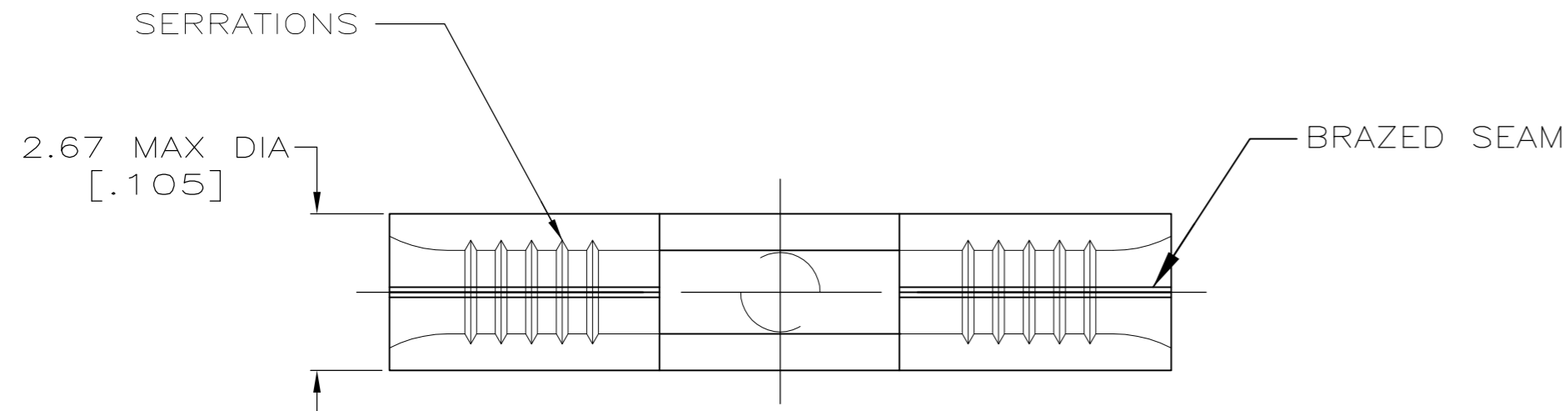


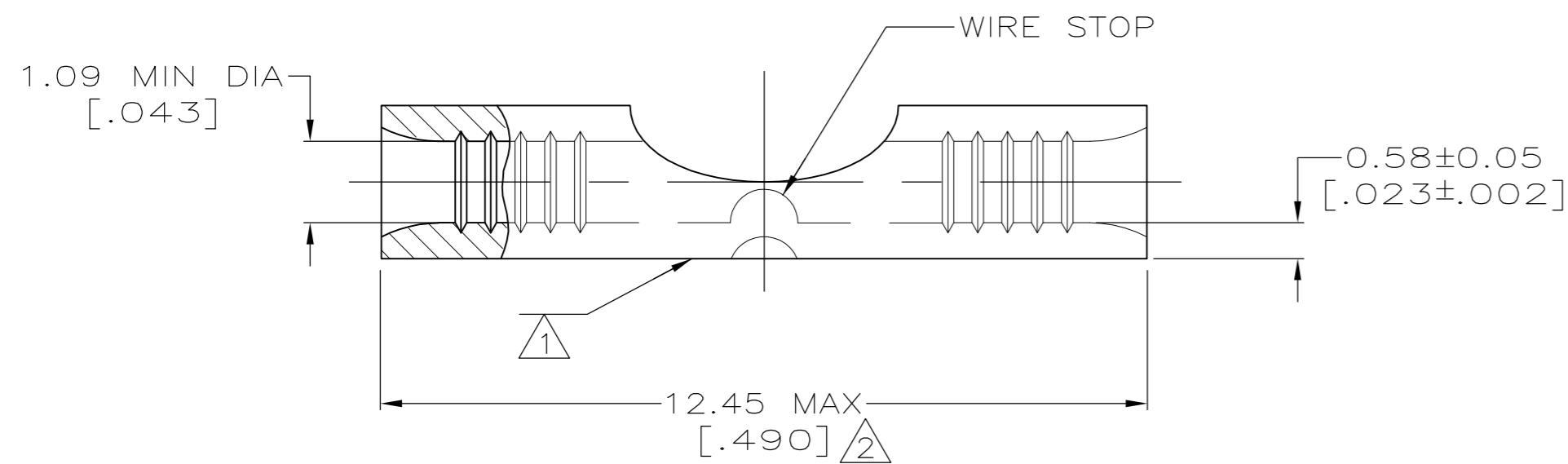
THIS DRAWING IS UNPUBLISHED. RELEASED FOR PUBLICATION  
 © COPYRIGHT BY TYCO ELECTRONICS CORPORATION. ALL RIGHTS RESERVED.

LOC	DIST	REVISIONS			
P	LTR	DESCRIPTION	DATE	DWN	APVD
G	14	REV PER ECR 09-004073	20FEB09	JR	TM

<b>AMP</b> WIRE RANGE	Listed FILE E13288	LR7189 Certified
24-20 AWG SOLID OR STRANDED	22-20 AWG SOLID OR STRANDED	22-20 AWG SOLID OR STRANDED



- 1 STAMP AMP APPROX AS SHOWN
- 2 MAXIMUM LENGTH DOES NOT INCLUDE MANUFACTURING TABS
- 3 COPPER PER ASTM B-152, ANNEALED
- 4 TIN PLATE 0.00254 [.000100] MIN PER ASTM B-545
- 5 CLEANED, UNPLATED



QTY	PACKAGE TYPE	FINISH	PART NO
100	LOOSE PIECE, BOX	4	8-324001-1
--	LOOSE PIECE	5	1-324001-2
----	LOOSE PIECE	4	324001

<b>AMP INCORPORATED CUSTOMER SERVICE SYSTEMS</b>		MAX RECOMMENDED OPERATING TEMPERATURE: 170°C MAX
FOR ADDITIONAL PRODUCT INFORMATION OR COPIES OF DRAWINGS AND TECHNICAL DOCUMENTS	PRODUCT INFORMATION CENTER 1-800-522-6752	VOLTAGE RATING: N/A
FOR APPLICATION TOOLING INFORMATION	TOOLING ASSISTANCE CENTER 1-800-722-1111	CIRCULAR MIL AREA: 0.16-0.65mm <sup>2</sup> [320-1,290] SOLID OR STRANDED
FOR ORDER ENTRY	1-800-526-5142	THIS DRAWING IS A CONTROLLED DOCUMENT FOR AMP INCORPORATED. IT IS SUBJECT TO CHANGE AND THE CONTROLLING ENGINEERING ORGANIZATION SHOULD BE CONTACTED FOR THE LATEST REVISION.

THIS DRAWING IS A CONTROLLED DOCUMENT.		DWN TA BRINKMAN 4-13-93	Tyco Electronics Corporation Harrisburg, Pa 17105-3608	
DIMENSIONS: MM [ INCHES ]		CHK DA PATTERSON 4-13-93	NAME JL MECKLEY 4-13-93	
TOLERANCES UNLESS OTHERWISE SPECIFIED:		APVD JL MECKLEY 4-13-93	PRODUCT SPEC ---	
0 PLC ± -		APPLICATION SPEC ---		
1 PLC ± -		SIZE A2		
2 PLC ± -		CAGE CODE 00779		
3 PLC ± -		DRAWING NO C=324001		
4 PLC ± -		RESTRICTED TO ---		
ANGLES ± -		WEIGHT -		
MATERIAL COPPER 3	FINISH SEE TABLE	SCALE 10:1		
CUSTOMER DRAWING		SHEET 1 OF 1		
		REV G		