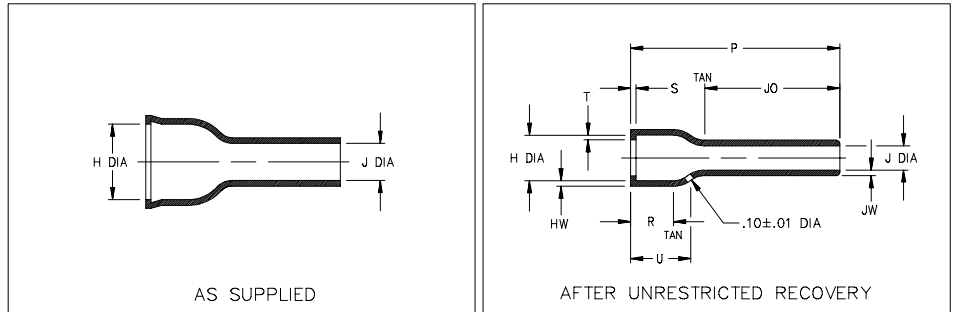


Thermofit[®] Molded Parts
 Specification Control Drawing
 Limited Distribution

Part Number : 202D211-X-55
 Description : Boot, Straight, With Lip

NOTES

- All dimensions are in $\frac{\text{inches}}{\text{[millimeters]}}$
- Dimensions appearing in table are as follows:
 - a - As Supplied
 - b - After Unrestricted Recovery
- Coating is optional. As supplied dimensions appearing in table are for uncoated parts. When coating is added, entry diameters will be reduced by .06 max.



PART NUMBER	H		J		P	R	S	T	U	JO	HW	JW
	Min	Max	Min	Max	±10%	Ref	Ref	Ref	±10%	±10%	±20%	±20%
	a	b	a	b	b	b	b	b	b	b	b	b
202D211-X-55	.88 [22,4]	.45 [11,4]	.55 [14,0]	.25 [6,4]	2.16 [54,8]	.46 [11,7]	.12 [3,0]	.04 [1,0]	.60 [15,2]	1.39 [35,3]	.06 [1,52]	.045 [1,1]

**If this document is printed it becomes uncontrolled.
 Check for the latest revision.**

Raychem

RAYCHEM CORPORATION
 300 CONSTITUTION DRIVE
 MENLO PARK, CALIFORNIA 94025
 (415) 361-6055

Revision : A
 Date : 4/30/92

Part Number : 202D211-X-55
 Description : Boot, Straight, With Lip

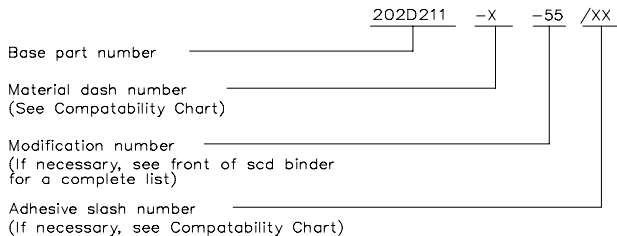
Thermofit[®] Molded Parts
 Specification Control Drawing
 Limited Distribution

Part Number : 202D211-X-55
 Description : Boot, Straight, With Lip

MATERIAL DASH NO.	MATERIAL DESCRIPTION	RT SPEC	COATING SLASH NO.	COATING S NO.	COATING DESCRIPTION
-12	*VITON, Flexible	RT-1312	N/A		

*VITON is a Registered Trademark of Dupont

ORDERING INFORMATION



THIS DRAWING IS SUBJECT TO CHANGE WITHOUT NOTICE; CONSULT YOUR
 NEAREST FIELD REPRESENTATIVE FOR CURRENT REVISION

Raychem

RAYCHEM CORPORATION
 300 CONSTITUTION DRIVE
 MENLO PARK, CALIFORNIA 94025
 (415) 361-6055

Revision : A
 Date : 4/30/92

Part Number : 202D211-X-55
 Description : Boot, Straight, With Lip

CAD FILE MP92241