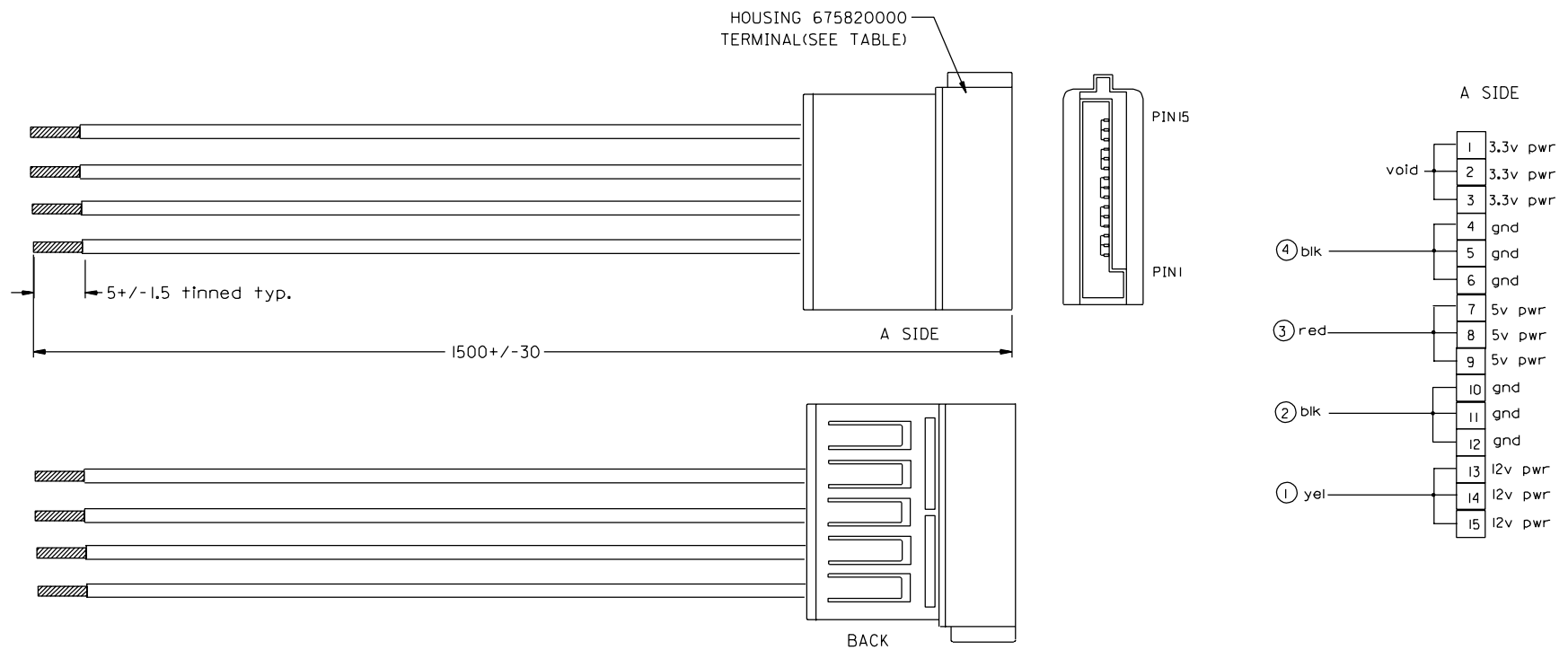


6 5 4 3 2 1



NOTE: 1. ELECTRIC PERFORMANCE:
 ▽ DIELECTRONIC STRENGTH: 500 V DC/0.01Sec.
 INSULATION RESISTANCE: 100M OHMS Min.
 CONDUCTIVE RESISTANCE: 2 OHMS Max.

2. HOUSING 675820000:
 POLYESTER(PBT), UL94V-0(BLACK)

887511411	675810001 30u'
887511410	675810000 GOLD FLASH
MATERIAL NO.	TERMINAL

4	UL1007 #18 BLK 887711300
3	UL1007 #18 RED 887711301
2	UL1007 #18 BLK 887711300
1	UL1007 #18 YEL 887711303
Item	WIRE TYPE

TABLE

DIMENSIONS:		SHT	REV
<input type="checkbox"/> mm	<input type="checkbox"/> INCH		
<input type="checkbox"/> mm	<input type="checkbox"/> mm		REVISE ON CAD ONLY

EC NO. DG2003-0009 DRWN: BENTZ 03/04/07 CHK: BENTZ 03/04/07 APPR: BOCHEN 03/04/07	EC NO. DG2003-0005 DRWN: BENTZ 02/08/08 CHK: BENTZ 02/08/08 APPR: TONY WONG 02/08/08	DESCRIPTION REV	QUALITY SYMBOLS MAJOR ▽ = CRITICAL ▽ = I	GENERAL TOLERANCES: (UNLESS SPECIFIED)		SCALE	DESIGN UNITS	THIRD ANGLE PROJECTION	TITLE: S-ATA POWER CABLE ASSEMBLY
				mm	INCH		<input type="checkbox"/> mm <input type="checkbox"/> INCH		
B	A	REV		4 PLACES	±0.	±.	DRAWN BY & DATE		MOLEX INCORPORATED
				3 PLACES	±0.	±.	BENTZ 02/08/08		
				2 PLACES	±0.	±.	CHECKED BY & DATE		MATERIAL NO. SEE TABLE DRAWING NO. SD-88755-002 SHEET NO. 1 OF 1
				1 PLACE	±0.	±.	Tony Wong 02/08/08		
				ANGULAR: ± °		CAD FILENAME		THIS DRAWING CONTAINS INFORMATION THAT IS PROPRIETARY TO MOLEX INCORPORATED AND SHOULD NOT BE USED WITHOUT WRITTEN PERMISSION.	
						S88755AB.SOI		SIZE A4	

6

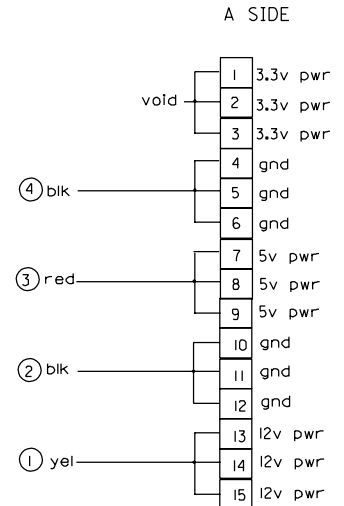
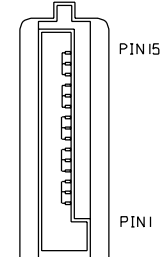
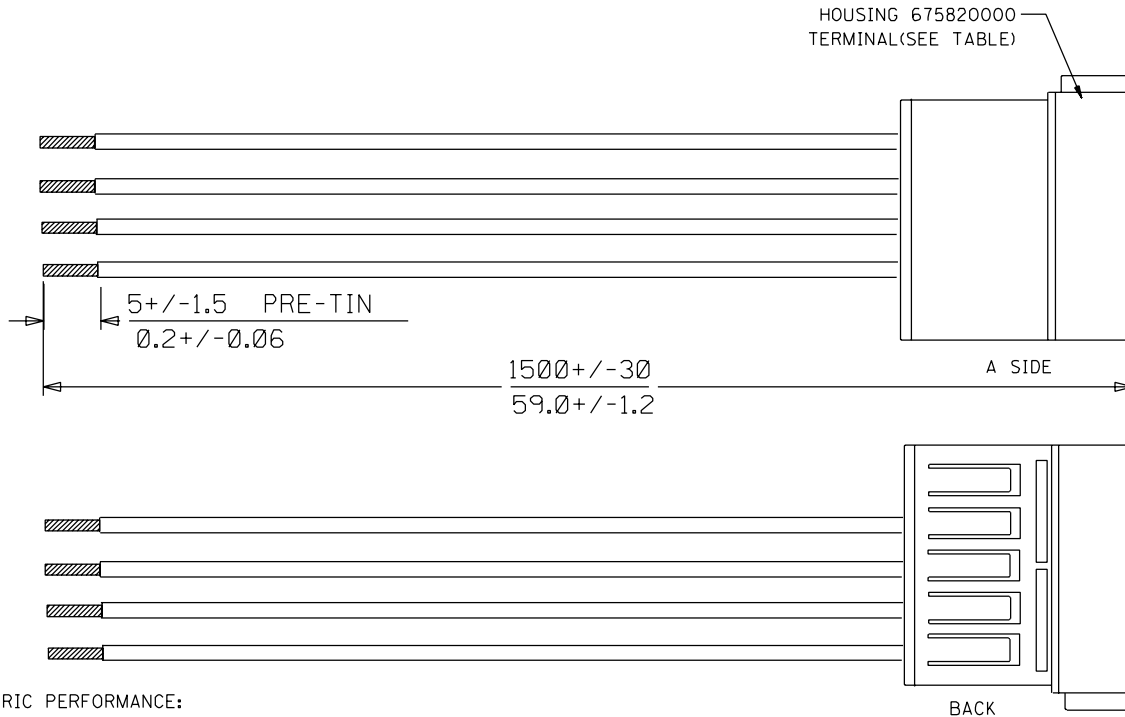
5

4

3

2

1



NOTE: 1. ELECTRIC PERFORMANCE:
 DIELECTRIC STRENGTH: 500 V DC/0.01Sec.
 INSULATION RESISTANCE: 100M OHMS Min.
 CONDUCTIVE RESISTANCE: 2 OHMS Max.
 2. HOUSING 675820000:
 POLYESTER(PBT), UL94V-0(BLACK)

887511411	675810001 30u" Gold-plated
887511410	675810000 GOLD FLASH
MATERIAL NO.	TERMINAL

TABLE

4	UL1007 #18 BLK 887711300
3	UL1007 #18 RED 887711301
2	UL1007 #18 BLK 887711300
1	UL1007 #18 YEL 887711303
Item	WIRE TYPE

CONNECTION DIAGRAM			
DIMENSIONS:	<input checked="" type="checkbox"/> mm	<input type="checkbox"/> INCH	<input type="checkbox"/> mm
	<input type="checkbox"/> INCH	<input type="checkbox"/> mm	<input type="checkbox"/> ONLY
SHT	REV	REVISE ON CAD ONLY	

EC NO. DRWN: Louis 04/03/23 CHK: APPR:	EC NO. DG2003-0009 DRWN: BENTZ 03/04/07 CHK: BENTZ 03/04/07 APPR: BOCHEN 03/04/07	EC NO. DG2003-0005 DRWN: BENTZ 02/08/08 CHK: BENTZ 02/08/08 APPR: TONY 02/08/08	DESCRIPTION REV	QUALITY SYMBOLS	GENERAL TOLERANCES: (UNLESS SPECIFIED)		SCALE	DESIGN UNITS	THIRD ANGLE PROJECTION	TITLE:		
				MAJOR ▼ = 0 CRITICAL ▽ = 0	mm	INCH	<input checked="" type="checkbox"/> mm <input type="checkbox"/> INCH	<input checked="" type="checkbox"/> THIRD ANGLE <input type="checkbox"/> FIRST ANGLE	S-ATA POWER to PIGTAIL CABLE ASSEMBLY 1.5M (5V+12V)			
C	B	A	REV	4 PLACES ±0.	±.	DRAWN BY & DATE BENTZ 02/08/08	MATERIAL NO. SEE TABLE					
				3 PLACES ±0.	±.	CHECKED BY & DATE Tony Wong 02/08/08	DRAWING NO. SD-88755-002					
				2 PLACES ±0.	±.	APPROVED BY & DATE Tony Wong 02/08/08	SHEET NO. 1 OF 1					
				1 PLACE ±0.	±.	CAD FILENAME S88755AB.S01	THIS DRAWING CONTAINS INFORMATION THAT IS PROPRIETARY TO MOLEX INCORPORATED AND SHOULD NOT BE USED WITHOUT WRITTEN PERMISSION.					
							ANGULAR: ± °		MOLEX INCORPORATED			SIZE A4