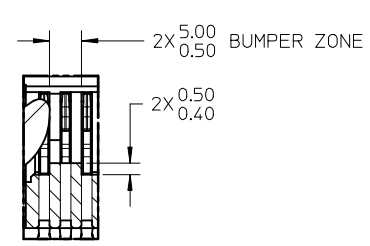
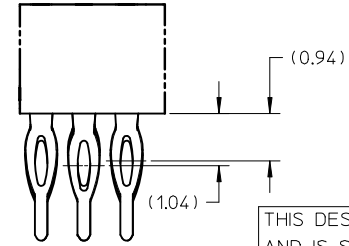


NOTES:

1. MATERIAL : HOUSING - HALOGEN FREE HIGH TEMP POLYAMIDE, GLASS FILLED, UL94V-0.
COLOUR : SEE TABLE ON SHEET 5.
LATCH - HALOGEN FREE HIGH TEMP POLYAMIDE, GLASS FILLED, UL94V-0.
COLOUR : SEE TABLE ON SHEET 5.
TERMINAL: COPPER ALLOY.
2. FINISHES - SEE TABLE ON SHEET 5.
3. PRODUCT SPECIFICATION : SEE TABLE ON SHEET 5.
4. PACKAGING SPECIFICATION: PRODUCT SHALL BE PACKED IN TRAY, SEE SHEET 5
5. CARD SLOT ACCEPTS 1.40±0.10MM MODULE THICKNESS (MEASURED OVER P.C. PADS).
6. MOLEX LOGO, DATE & PART NO. INDICATED ON HOUSING.
7. MODULE SEATING PLANE.
8. KEEP OUT ZONE RESERVED FOR LATCH.
9. KEEP OUT AREA IS THE AREA WHERE THE CONNECTOR (INCLUDES LATCHES IN OPENING POSITION) IS MOUNTED ON THE PCB.
10. REFER TO AS-78731-001 FOR CONNECTOR MOUNTING AND REWORK INFORMATION.
11. REFER TO AS-78731-003 FOR PCB ROUTING RECOMMENDATIONS.



DETAIL6: BUMPER ZONE

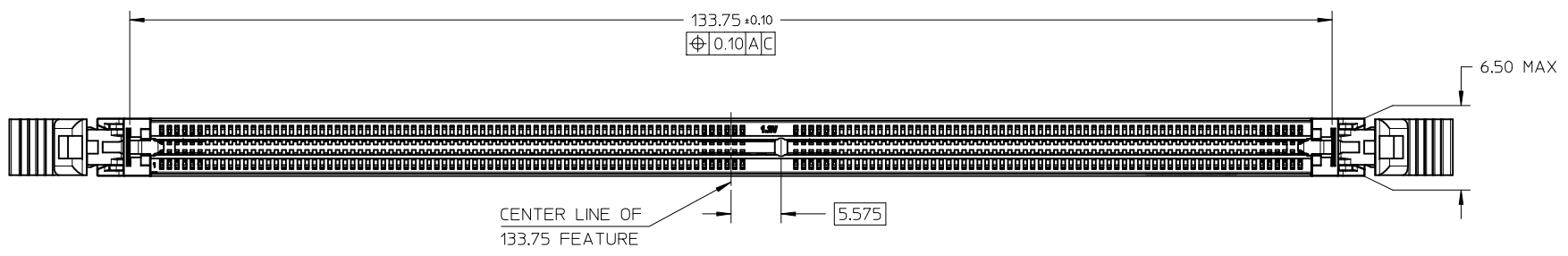


DETAIL9

THIS DESIGN IS BASED ON DESIGN OBJECTIVES AND IS STRICTLY TENTATIVE. IT MAY CHANGE BASED ON RESULTS OF ADDITIONAL DESIGN REVIEWS AND VERIFICATIONS.

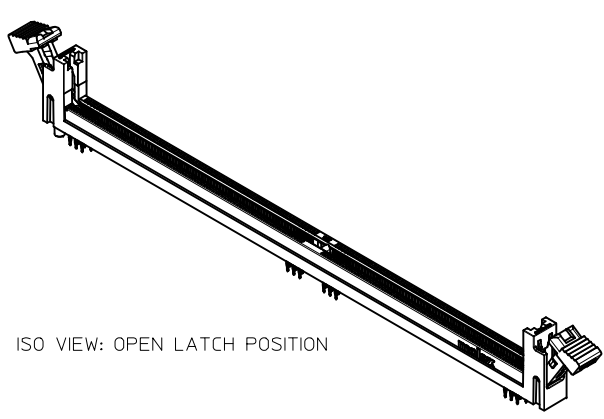
HOUSING IMPROVEMENT IEC NO: S2017-0030 DRW: EKS0H 2016/07/18 CHKD: CGTAN 2016/07/20 APPR: SHLENI 2016/07/21	QUALITY SYMBOLS $F_A=0$ $F_B=0$ $F_C=0$	GENERAL TOLERANCES (UNLESS SPECIFIED) mm INCH 4 PLACES ± --- ± --- 3 PLACES ± --- ± --- 2 PLACES ± 0.20 ± --- 1 PLACE ± --- ± --- 0 PLACE ± --- ± --- ANGULAR ± 3° DRAFT WHERE APPLICABLE MUST REMAIN WITHIN DIMENSIONS	DIMENSION STYLE MM ONLY DRAWN BY: EKS0H DATE: 2012/08/03 CHECKED BY: CGTAN DATE: 2013/05/09 APPROVED BY: SHLENI DATE: 2013/05/09 MATERIAL NO. SEE TABLE	SCALE: NTS DESIGN UNITS: METRIC THIRD ANGLE PROJECTION	TITLE: DDR4 DIMM, 0.85MM PITCH 288CKTS, VERTICAL PF molex DOCUMENT NO. SD-78731-001 SHEET NO. 1 OF 5
	THIS DRAWING CONTAINS INFORMATION THAT IS PROPRIETARY TO MOLEX INCORPORATED AND SHOULD NOT BE USED WITHOUT WRITTEN PERMISSION				
	DIM 'P' ± 0.25 DIM 'Q' ± 0.25				
	DIMENSIONS IN MILLIMETERS UNLESS OTHERWISE SPECIFIED				

10 9 8 7 6 5 4 3 2 1

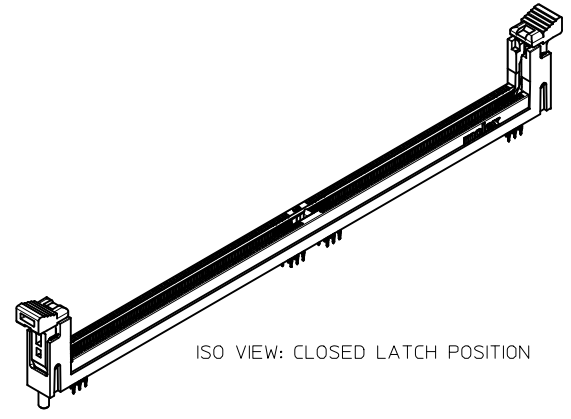


CENTER LINE OF
133.75 FEATURE

TOP VIEW
IN LATCH OPENING POSITION



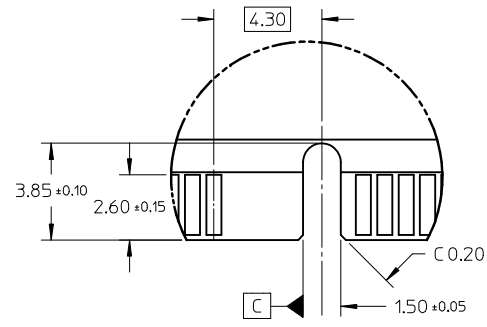
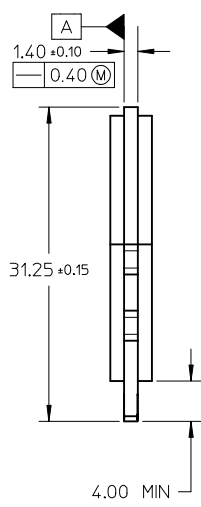
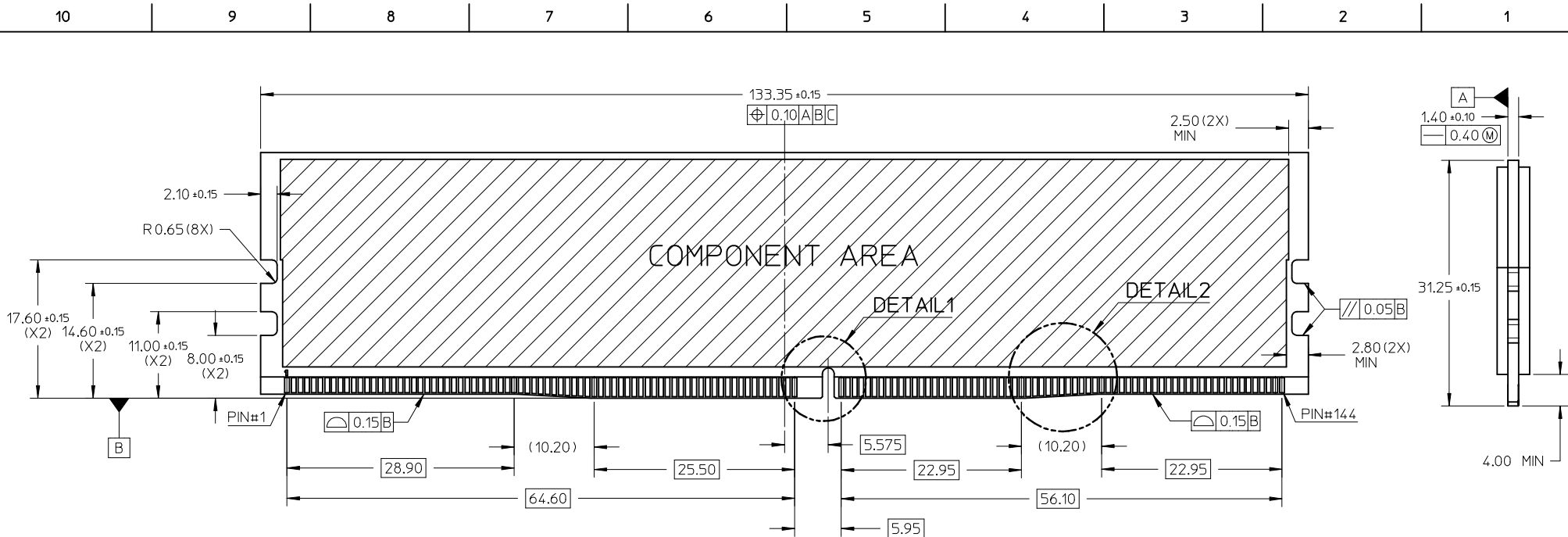
ISO VIEW: OPEN LATCH POSITION



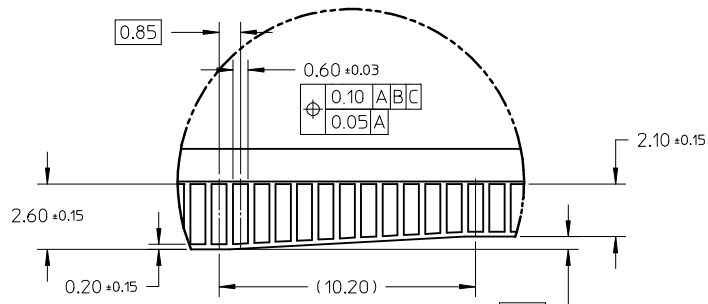
ISO VIEW: CLOSED LATCH POSITION

HOUSING IMPROVEMENT IEC NO: S2017-0030 DRW: EKS0H 2016/07/18 CHKD: CGTAN 2016/07/20 APPR: SHLENI 2016/07/21	QUALITY SYMBOLS $F_A=0$ $F_C=0$ $F_B=0$	GENERAL TOLERANCES (UNLESS SPECIFIED)		DIMENSION STYLE MM ONLY		SCALE NTS	DESIGN UNITS METRIC	THIRD ANGLE PROJECTION	
			mm	INCH	DRAWN BY	DATE	TITLE		
		4 PLACES	± ---	± ---	EKS0H	2012/08/03	DDR4 DIMM, 0.85MM PITCH 288CKTS, VERTICAL PF		
		3 PLACES	± ---	± ---	CHECKED BY	DATE			
2 PLACES	± 0.20	± ---	CGTAN	2013/05/09					
1 PLACE	± ---	± ---	APPROVED BY	DATE	DOCUMENT NO.				
0 PLACE	± ---	± ---	SHLENI	2013/05/09	SD-78731-001				
		ANGULAR ± 3 °	DRAFT WHERE APPLICABLE MUST REMAIN WITHIN DIMENSIONS		MATERIAL NO.		SHEET NO.		
					SEE TABLE		2 OF 5		
					THIS DRAWING CONTAINS INFORMATION THAT IS PROPRIETARY TO MOLEX INCORPORATED AND SHOULD NOT BE USED WITHOUT WRITTEN PERMISSION				

9 8 7 6 5 4 3 2 1



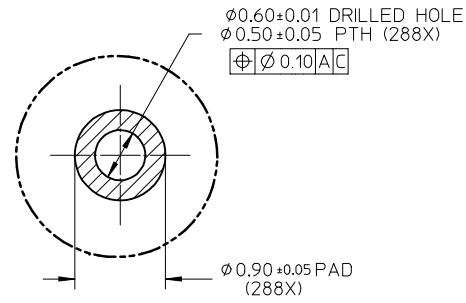
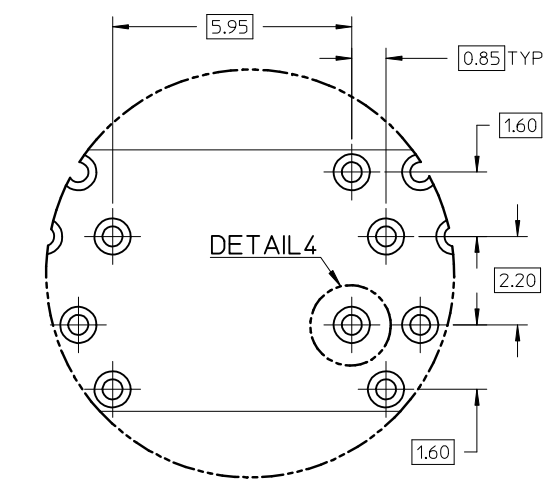
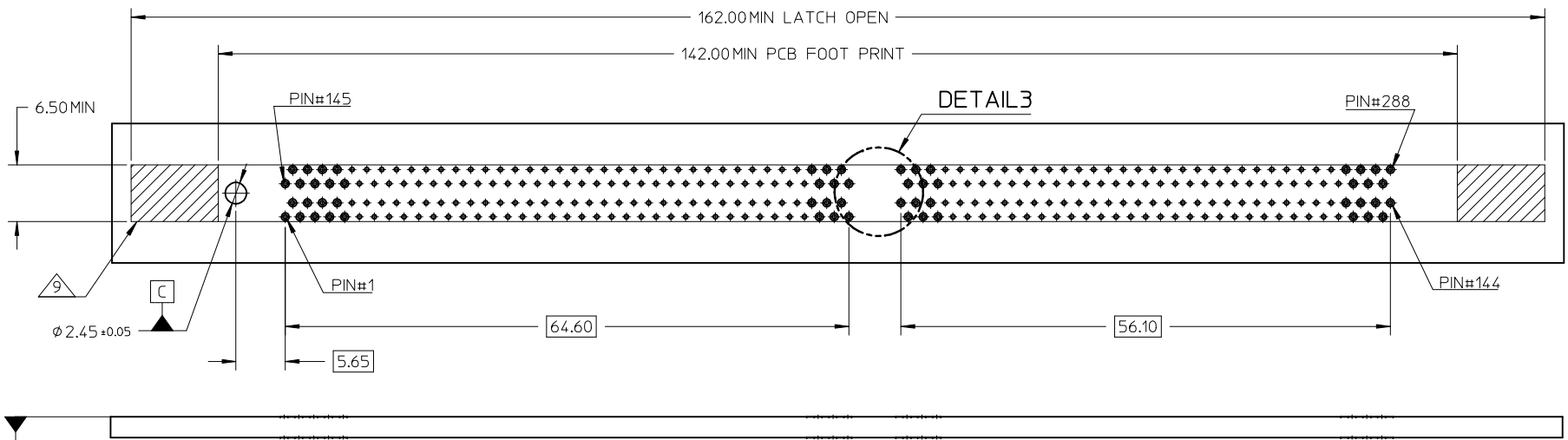
DETAIL1



DETAIL2

HOUSING IMPROVEMENT IEC NO: S2017-0030 DRW: EKS0H 2016/07/18 CHKD: CGTAN 2016/07/20 APPR: SHLENI 2016/07/21	QUALITY SYMBOLS $\nabla_F = 0$ $\nabla_F = 0$ $\nabla_F = 0$	GENERAL TOLERANCES (UNLESS SPECIFIED)		DIMENSION STYLE MM ONLY		SCALE NTS	DESIGN UNITS METRIC	THIRD ANGLE PROJECTION	
		4 PLACES	± ---	± ---	DRAWN BY	DATE	TITLE DDR4 DIMM, 0.85MM PITCH 288CKTS, VERTICAL PF		
		3 PLACES	± ---	± ---	CHECKED BY	DATE			
		2 PLACES	± 0.20	± ---	CGTAN	2013/05/09			
1 PLACE	± ---	± ---	APPROVED BY	DATE					
0 PLACE	± ---	± ---	SHLENI	2013/05/09	MATERIAL NO. SEE TABLE		DOCUMENT NO. SD-78731-001	SHEET NO. 3 OF 5	
DRAFT WHERE APPLICABLE MUST REMAIN WITHIN DIMENSIONS		ANGULAR ± 3 °		THIS DRAWING CONTAINS INFORMATION THAT IS PROPRIETARY TO MOLEX INCORPORATED AND SHOULD NOT BE USED WITHOUT WRITTEN PERMISSION					

10 9 8 7 6 5 4 3 2 1



DETAIL3

DETAIL4

HOUSING IMPROVEMENT EC NO: S2017-0030 DRW: EKS0H 2016/07/18 CHK'D: CGTAN 2016/07/20 APPR: SHLENI 2016/07/21	QUALITY SYMBOLS $F_{\Delta} = 0$ $F_C = 0$ $F_P = 0$	GENERAL TOLERANCES (UNLESS SPECIFIED) <table border="1"> <thead> <tr> <th></th> <th>mm</th> <th>INCH</th> </tr> </thead> <tbody> <tr> <td>4 PLACES</td> <td>± ---</td> <td>± ---</td> </tr> <tr> <td>3 PLACES</td> <td>± ---</td> <td>± ---</td> </tr> <tr> <td>2 PLACES</td> <td>± 0.20</td> <td>± ---</td> </tr> <tr> <td>1 PLACE</td> <td>± ---</td> <td>± ---</td> </tr> <tr> <td>0 PLACE</td> <td>± ---</td> <td>± ---</td> </tr> </tbody> </table>		mm	INCH	4 PLACES	± ---	± ---	3 PLACES	± ---	± ---	2 PLACES	± 0.20	± ---	1 PLACE	± ---	± ---	0 PLACE	± ---	± ---	DIMENSION STYLE MM ONLY	SCALE NTS	DESIGN UNITS METRIC	THIRD ANGLE PROJECTION
		mm	INCH																					
	4 PLACES	± ---	± ---																					
	3 PLACES	± ---	± ---																					
	2 PLACES	± 0.20	± ---																					
1 PLACE	± ---	± ---																						
0 PLACE	± ---	± ---																						
REV 8	DESCRIPTION HOUSING IMPROVEMENT	ANGULAR ± 3 ° DRAFT WHERE APPLICABLE MUST REMAIN WITHIN DIMENSIONS	DRAWN BY EKS0H	DATE 2012/08/03	TITLE DDR4 DIMM, 0.85MM PITCH 288CKTS, VERTICAL PF																			
			CHECKED BY CGTAN	DATE 2013/05/09																				
			APPROVED BY SHLENI	DATE 2013/05/09																				
			MATERIAL NO. SEE TABLE	DOCUMENT NO. SD-78731-001		SHEET NO. 4 OF 5																		

9 8 7 6 5 4 3 2 1

CKT SIZE	ASSEMBLY PART NO.	HOUSING COLOUR	LATCH COLOUR	DIM*P*	DIM*Q*	RECOMMENDED MINIMUM PCB THICKNESS	PLATING OPTION		PRODUCT SPEC. NO.	PACKAGING SPEC. NO.
							CONTACT AREA	TAIL AREA		
288	78731-1002	BLACK	BLACK	2.53	4.30	1.80	0.76 MICROMETER (30 MICROINCH) MIN GOLD ON CONTACT	0.38 TO 1.52 MICROMETER (15 TO 60 MICROINCH) MIN TIN ON SOLDER TAILS	PS-78731-001	PK-78731-001
	78731-1003	BLACK	WHITE							
	78731-1004	WHITE	BLACK							
	78731-1005	WHITE	WHITE							
	78731-1006	BLUE	BLUE							
	78731-1007	BLACK	BLACK	3.53			0.38 MICROMETER (15 MICROINCH) MIN GOLD ON CONTACT	1.27 MICROMETER (50 MICROINCH) MIN NICKEL UNDERPLATE		
	78731-1008	BLACK	WHITE							
	78731-1009	WHITE	BLACK							
	78731-1010	WHITE	WHITE							
	78731-1011	BLUE	BLUE	2.53			3.53	1.27 MICROMETER (50 MICROINCH) MIN NICKEL UNDERPLATE		
	78731-2002	BLACK	BLACK							
	78731-2003	BLACK	WHITE							
	78731-2004	WHITE	BLACK							
	78731-2005	WHITE	WHITE							
	78731-2006	BLUE	BLUE	3.53	3.53	1.27 MICROMETER (50 MICROINCH) MIN NICKEL UNDERPLATE				
	78731-2007	BLACK	BLACK							
	78731-2008	BLACK	WHITE							
	78731-2009	WHITE	BLACK							
78731-2010	WHITE	WHITE								
78731-2011	BLUE	BLUE								

HOUSING IMPROVEMENT EC NO: S2017-0030 DRW: EKSOH 2016/07/18 CHKD: CGTAN 2016/07/20 APPR: SHLENI 2016/07/21	REV 8	DESCRIPTION QUALITY SYMBOLS $F_A=0$ $F_C=0$ $F_P=0$	GENERAL TOLERANCES (UNLESS SPECIFIED)		DIMENSION STYLE MM ONLY		SCALE NTS	DESIGN UNITS METRIC	THIRD ANGLE PROJECTION	
					DRAWN BY EKSOH	DATE 2012/08/03	TITLE DDR4 DIMM, 0.85MM PITCH 288CKTS, VERTICAL PF			
					CHECKED BY CGTAN	DATE 2013/05/09				
					APPROVED BY SHLENI	DATE 2013/05/09	MATERIAL NO. SEE TABLE		DOCUMENT NO. SD-78731-001	SHEET NO. 5 OF 5
		DRAFT WHERE APPLICABLE MUST REMAIN WITHIN DIMENSIONS		THIS DRAWING CONTAINS INFORMATION THAT IS PROPRIETARY TO MOLEX INCORPORATED AND SHOULD NOT BE USED WITHOUT WRITTEN PERMISSION						