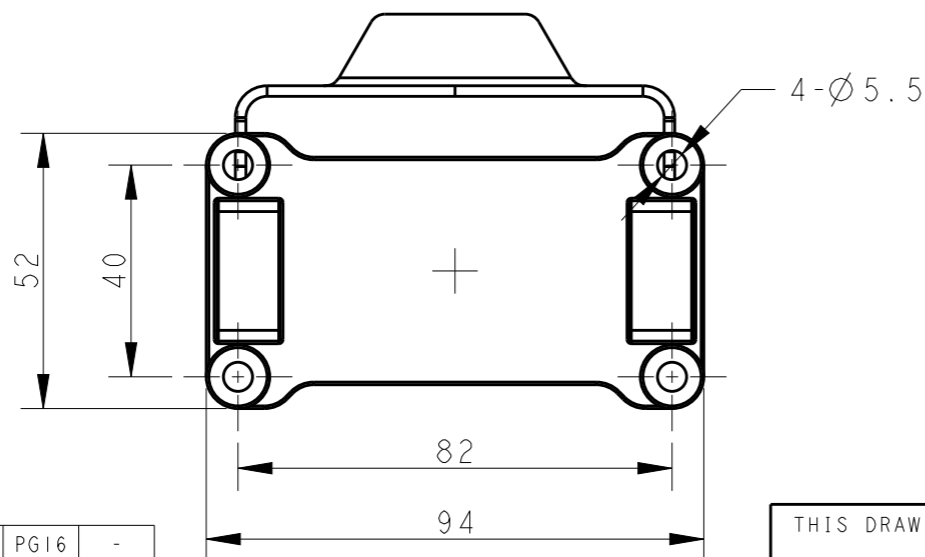
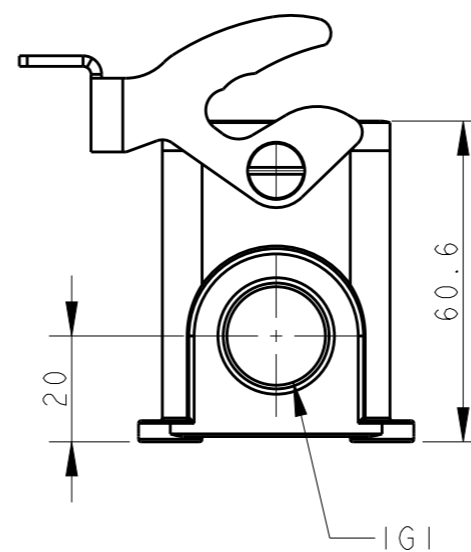
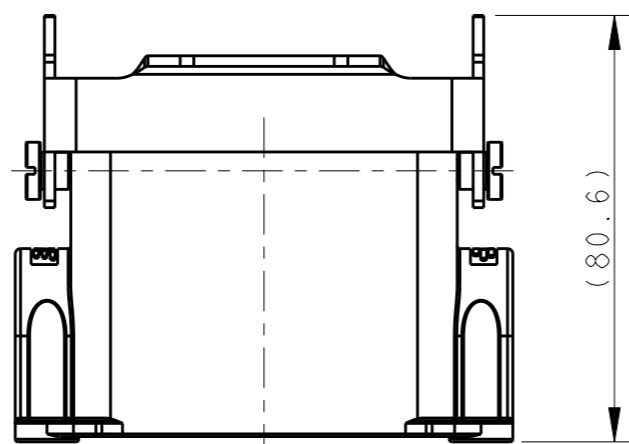
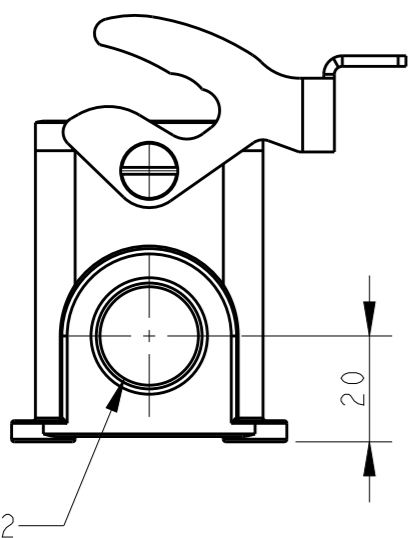
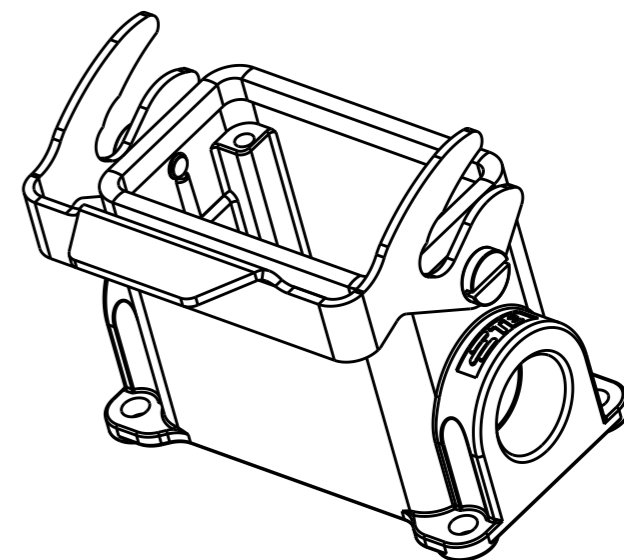
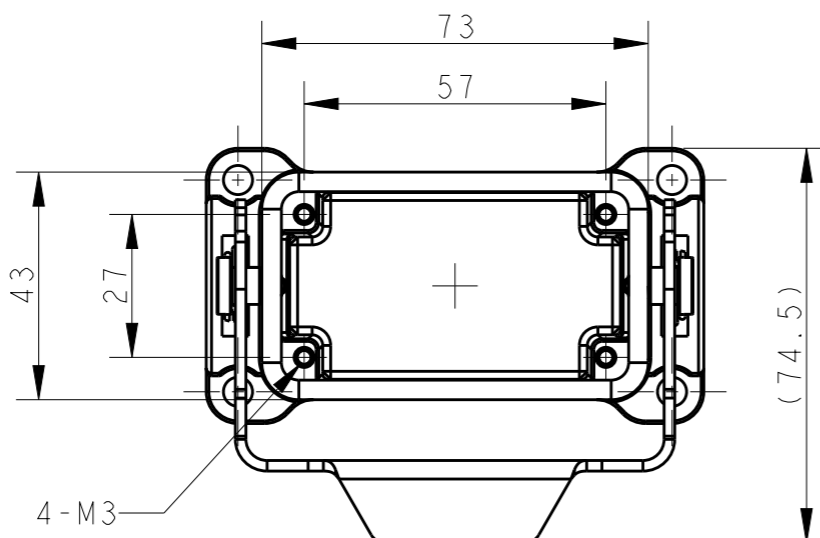


THIS DRAWING IS UNPUBLISHED. RELEASED FOR PUBLICATION 20
 © COPYRIGHT 20 BY - ALL RIGHTS RESERVED.


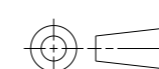
REVISIONS				
P	LTR	DESCRIPTION	DATE	APVD
	A	INITIAL RELEASE	08JUL2015	DL CW



NOTES:
 1. TECHNICAL CHARACTERISTICS:
 BODY MATERIAL: DIE CAST ALUMINIUM ALLOY
 SURFACE TREATMENT: POWDER-COATED, GRAY
 OPERATION TEMPERATURE: -40-+125°C
 DEGREE OF PROTECTION: IP65 (MATED)

注释:
 1. 技术参数:
 主体材料: 铝合金
 表面处理: 粉末喷涂, 灰色
 工作温度: -40-+125°C
 防护等级: IP65(配合)

T1610103116-000	H10B-SGR-LB-PG16	PG16	-
T1610103120-000	H10B-SGR-LB-M20	M20	-
T1610103121-000	H10B-SGR-LB-PG21	PG21	-
T1610103125-000	H10B-SGR-LB-M25	M25	-
T1610103216-000	H10B-SGR-LB-2PG16	PG16	PG16
T1610103220-000	H10B-SGR-LB-2M20	M20	M20
T1610103221-000	H10B-SGR-LB-2PG21	PG21	PG21
T1610103225-000	H10B-SGR-LB-2M25	M25	M25
ASSEMBLY PART NUMBER	ASSEMBLY PART DESCRIPTION	IG1	IG2

THIS DRAWING IS A CONTROLLED DOCUMENT.		DWN DAVID LI 08JUL2015	 TE Connectivity	
DIMENSIONS: mm		CHK CHRIS WANG 08JUL2015		
TOLERANCES UNLESS OTHERWISE SPECIFIED:		APVD XU XIANG 08JUL2015	NAME H10B-SGR-LB-PG	
 0 PLC ±- 1 PLC ±- 2 PLC ±- 3 PLC ±- 4 PLC ±- ANGLES ±-		PRODUCT SPEC 108-137013	RESTRICTED TO	
MATERIAL TBD		APPLICATION SPEC 114-137013	SIZE A3	CAGE CODE -
FINISH -		WEIGHT -	DRAWING NO. C-T1610103XXX000	
-		CUSTOMER DRAWING	SCALE 7:10	SHEET 1 OF 1
				REV A