

Model No: TC5FB00-04  
Product Line: Tymphany

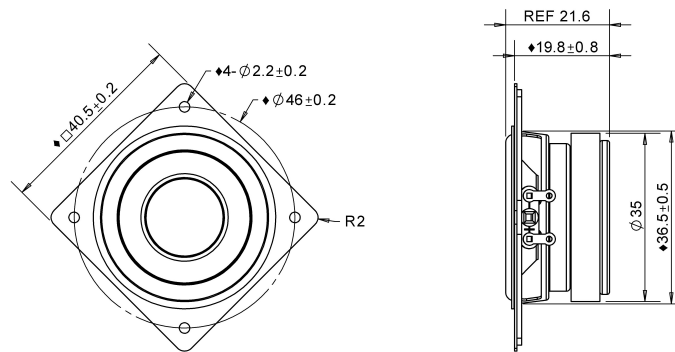
Rev: 1  
Last Update: 2017-04-21 12:39:42

### Product Description

This TC family 1.5 inch 4 ohm full-range driver, with ferrite magnet, paper cone and PU surround, and steel basket, is designed to be a cost-effective high performance full range driver. The product was designed with portable and other compact applications in mind.



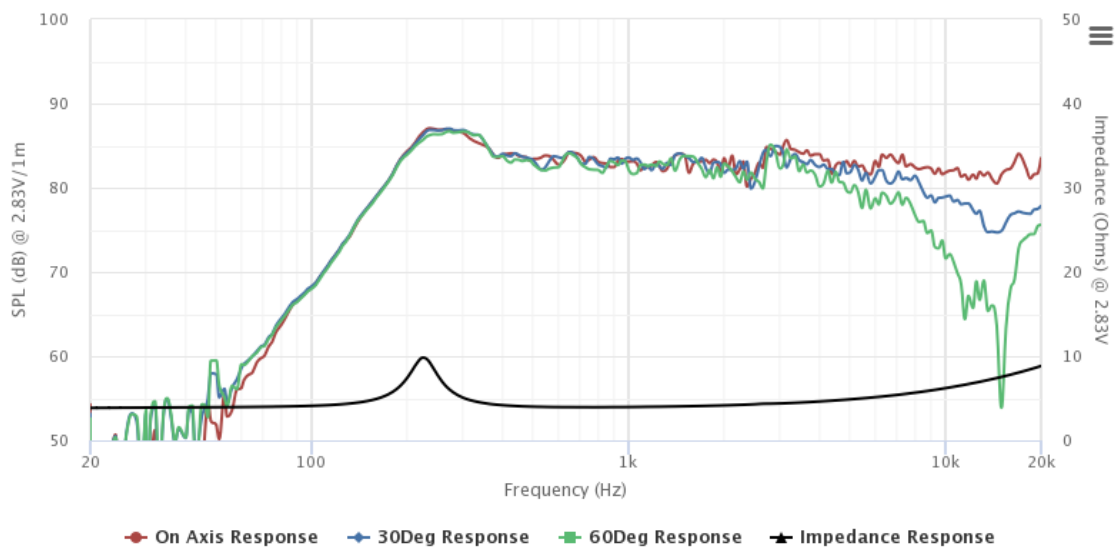
### Mechanical Drawing



### Specifications

DC Resistance	Revc	Ohms	3.58	5.0%	Energy Bandwidth Product	EBP	(1/Qes)*fs	
Minimum Impedance	Zmin	Ohms	3.94	7.5%	Moving Mass	Mms	g	0.5
Voice Coil Inductance	Le	mH	0.04		Suspension Compliance	Cms	um/N	1004.2
Resonant Frequency	Fs	Hz	234.82	15%	Effective Cone diameter	D	cm	3.15
Mechanical Q Factor	Qms		4.71		Effective Piston Area	Sd	cm <sup>2</sup>	7.8
Electrical Q Factor	Qes		2.64		Effective Volume	Vas	L	0.09
Total Q Factor	Qts		1.69		Motor Force Factor	BL	Tm	0.96
Ratio Fs/Qts	F	Fs/Qts	138.87		Motor Efficiency Factor	β	(T*M <sup>2</sup> )/Ohms	0.3
Half Space Sensitivity @2.83V	db@2.83V/1M	dB	83.22	+/- 1.0db	Voice coil former Material	VCfm		ASV
Half Space Sensitivity @1W/1M	db@1W/1M	dB	80.1	+/- 1.0db	Voice coil inner diameter	VCd	mm	16.28
Gap Height	Gh	mm	2		Rated Noise Power	P	W	5
Maximum Linear Excursion	Xmax	mm	0.6		Test Spectrum Bandwidth			250Hz-20KHz
Ferrofluid Type	FF				Driver Size	Inch		1.5 in
Driver Mass	Kg		0.07					

### Frequency and Impedance Response



Highcharts.com