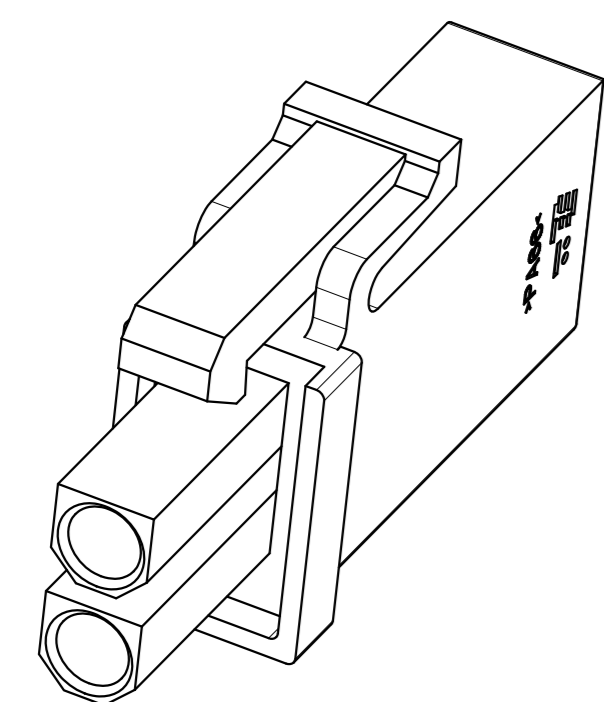
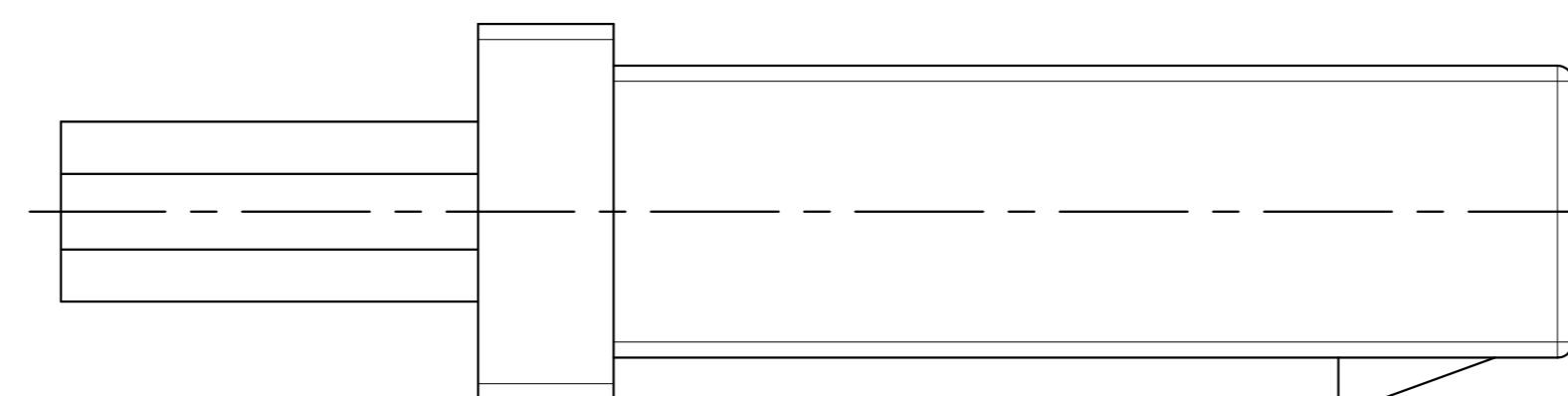
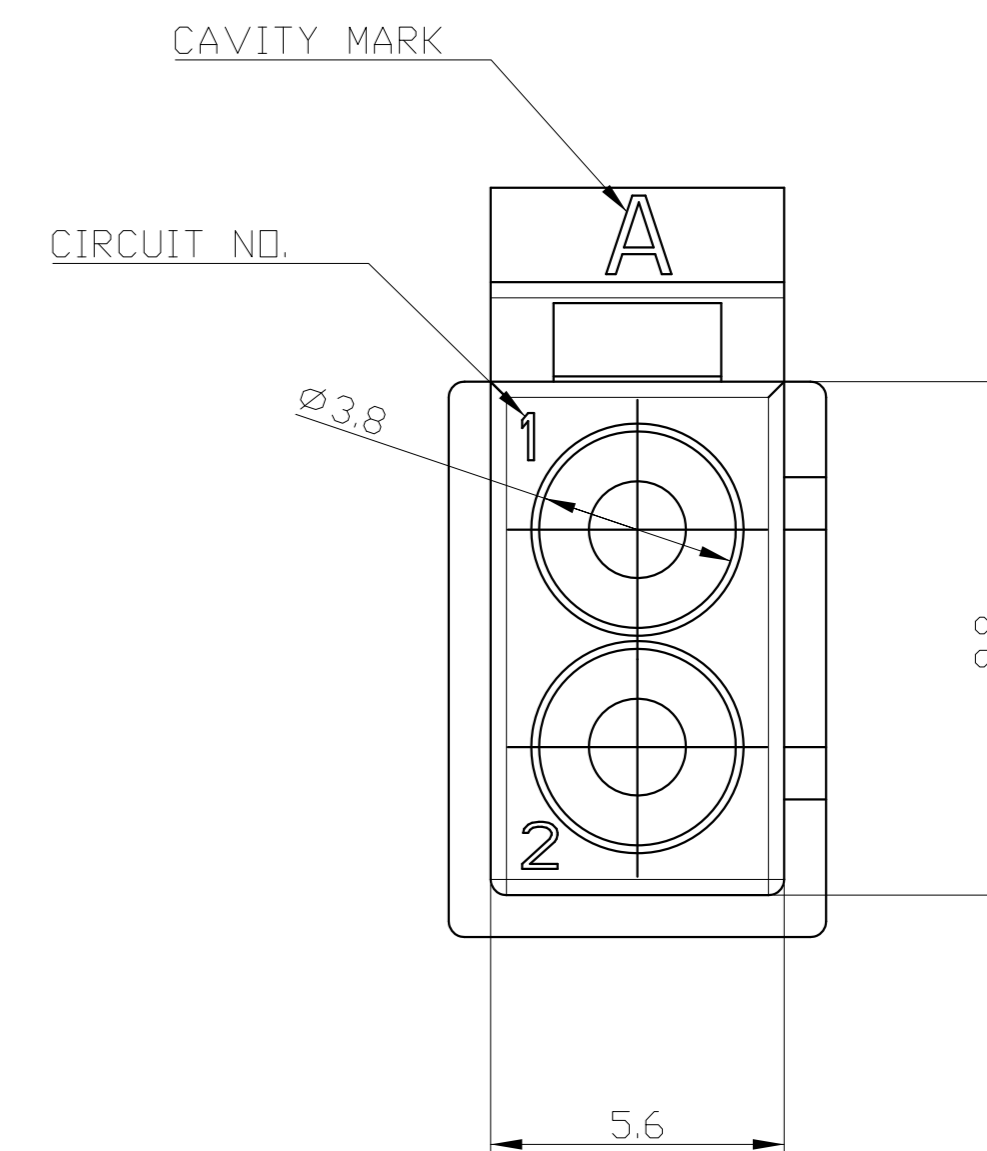
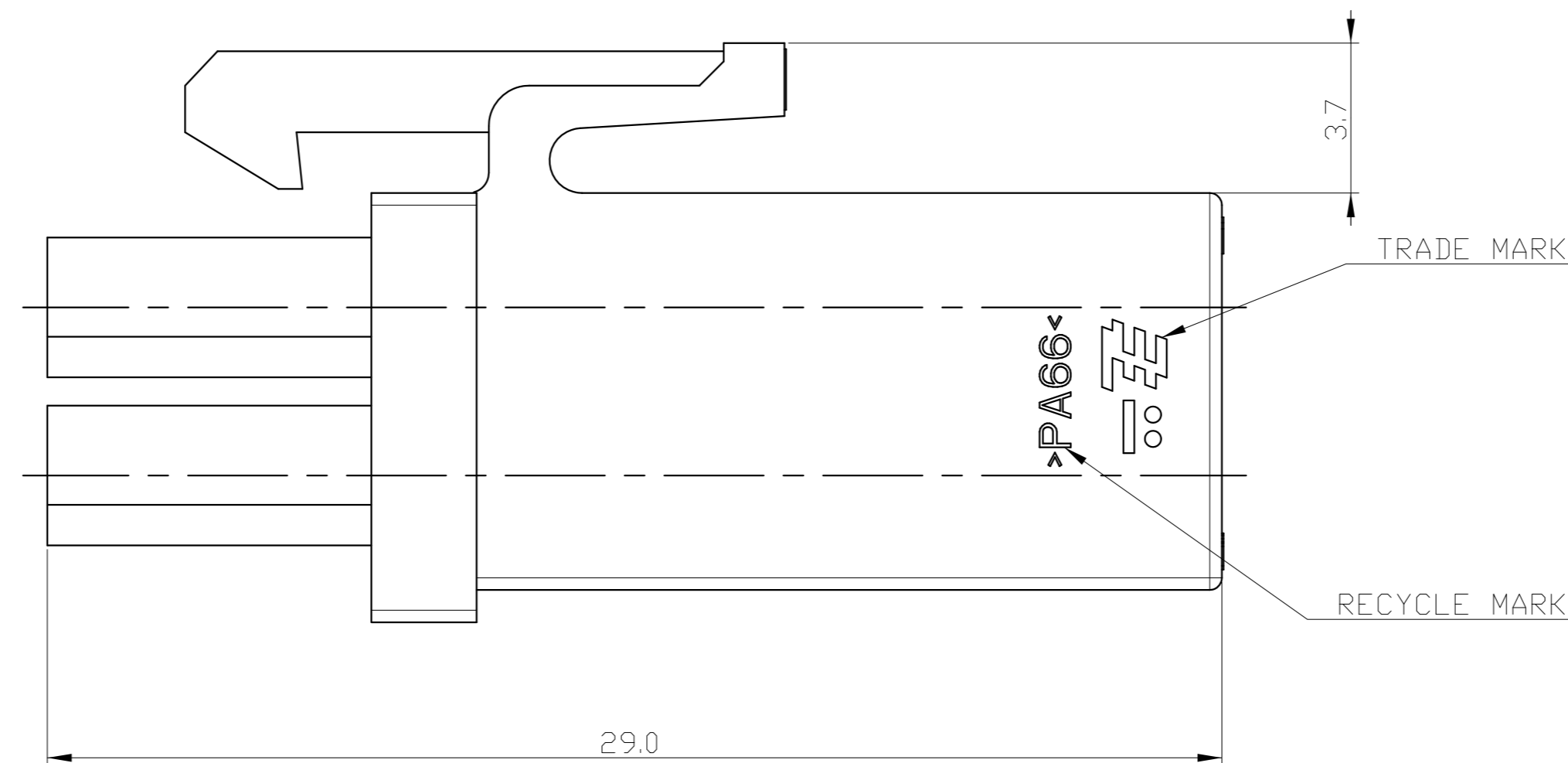
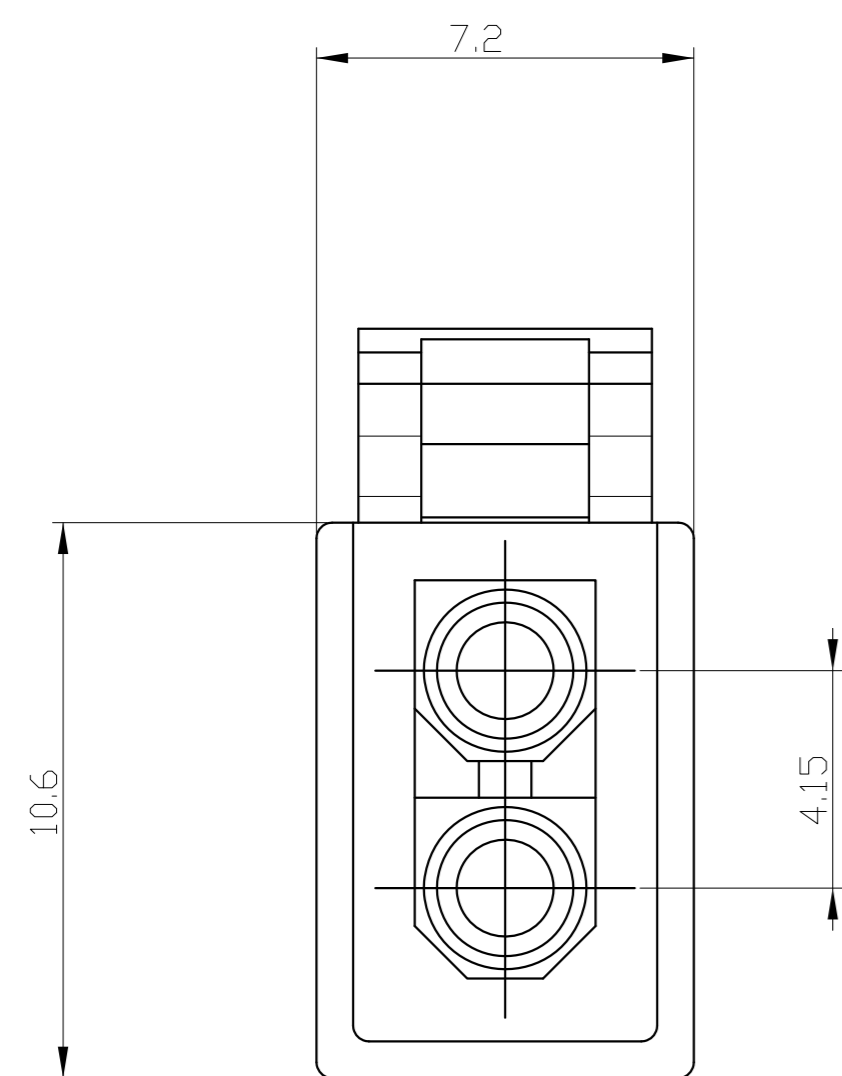


LOC	DIST	REVISIONS			
P	LTR	DESCRIPTION	DATE	DWN	APVD
DS	-	A	RELEASED	30 JUN 08	JH JK



ISOMETRIC VIEW

NOTES.

- 1. APPLICABLE CONN. P/N: X-1897627-X
- 2. APPLICABLE CONTACT P/N: 770901-X 770903-X
- 3. APPLICABLE WIRE SEAL P/N: 2005877-X
- 4. APPLICABLE I/F SEAL P/N: 1897989-2

1897623-1	6/6 NYLON	NATURAL
P/N	MATERIAL	COLOR

THIS DRAWING IS A CONTROLLED DOCUMENT FOR TYCO ELECTRONICS CORPORATION. IT IS SUBJECT TO CHANGE AND THE CONTROLLING ENGINEERING ORGANIZATION SHOULD BE CONTACTED FOR THE LATEST REVISION.		DWN JH GONG	AMP KOREA Kyungsan, Korea	
DIMENSIONS: MM		CHK BW KANG	NAME Tyco Electronics	
TOLERANCES UNLESS OTHERWISE SPECIFIED: 0 PLC ± 1 PLC ± 2 PLC ± ±0.25 3 PLC ± 4 PLC ±		APVD JK SONG	PRODUCT SPEC 108-61101	
MATERIAL 6/6 NYLON		APPLICATION SPEC 114-16017	SIZE A200779	RESTRICTED TO -
		WEIGHT -	DRAWING NO C=1897623	SCALE 4:1
		CUSTOMER DRAWING	SHEET 1 OF 1	REV A