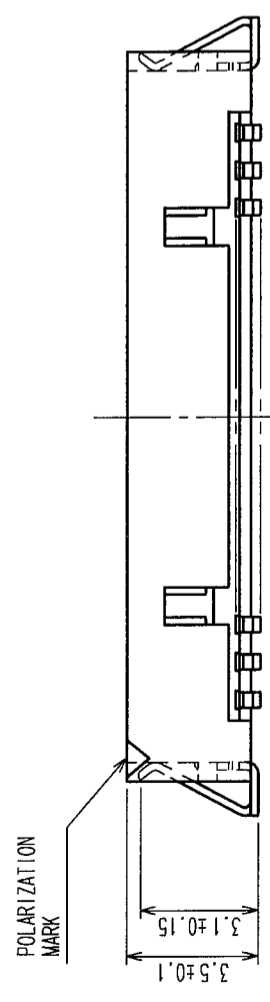
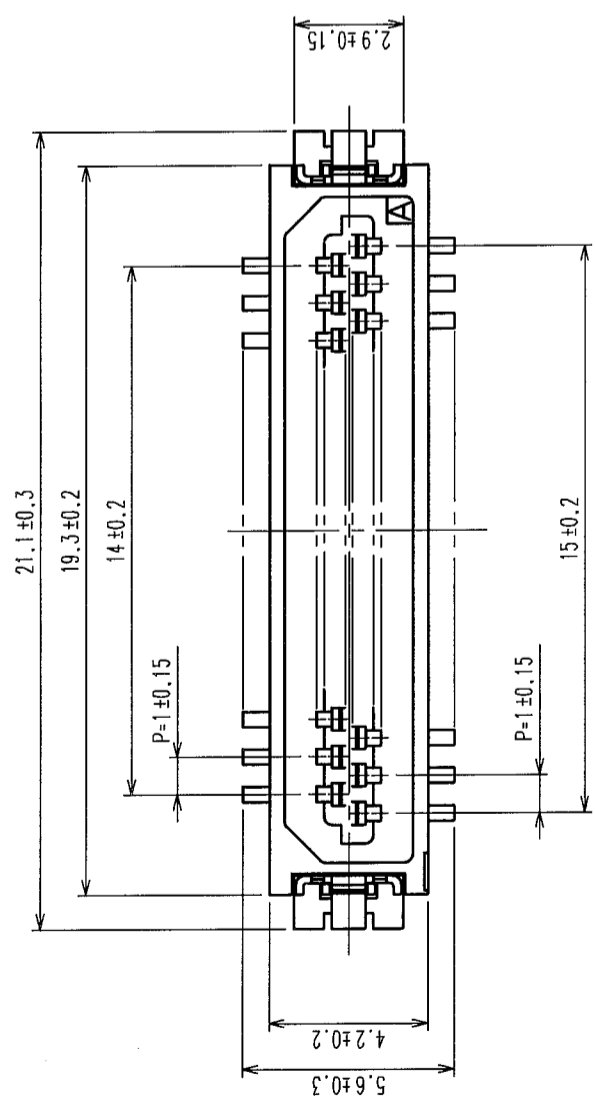
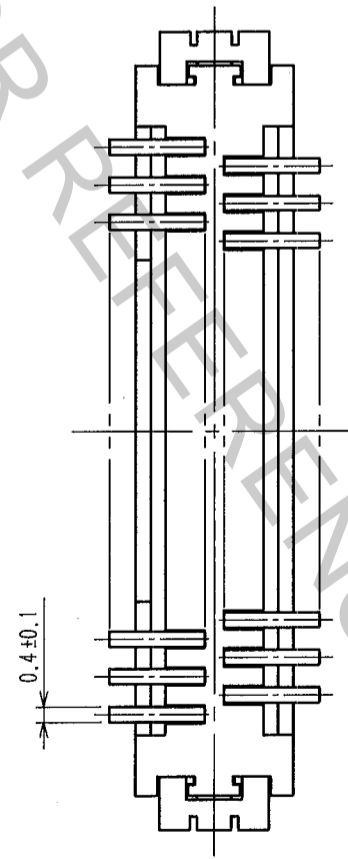
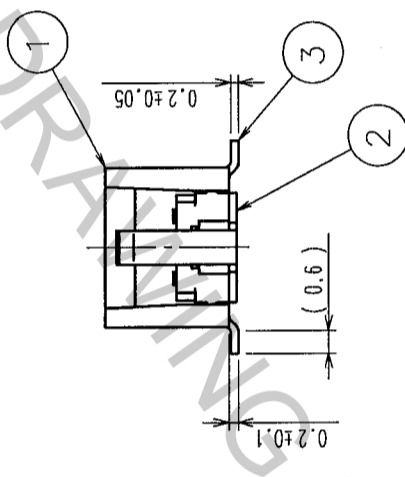
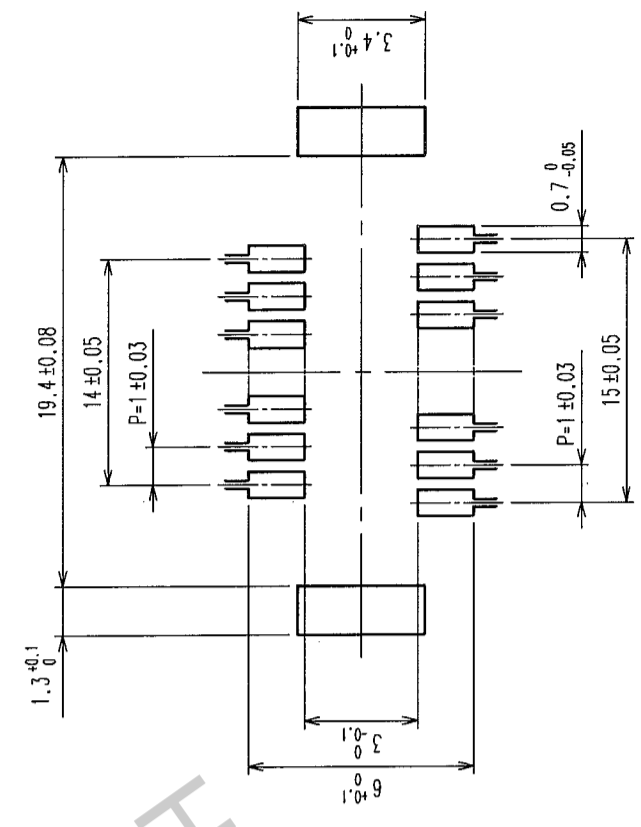


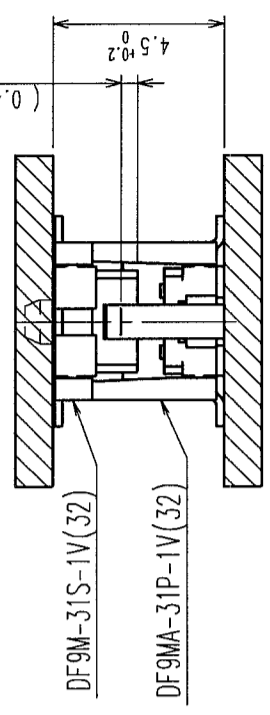
COUNT		DESCRIPTION OF REVISIONS		BY	CHKD	DATE	COUNT	DESCRIPTION OF REVISIONS		BY	CHKD	DATE
△	△						△					
△	△						△					



RECOMMENDED PATTERN



MATED CONNECTORS



NOTE 1: LEAD CO-PLANARITY INCLUDE REINFORCED METAL FITTINGS SHALL BE 0.1mm MAX.

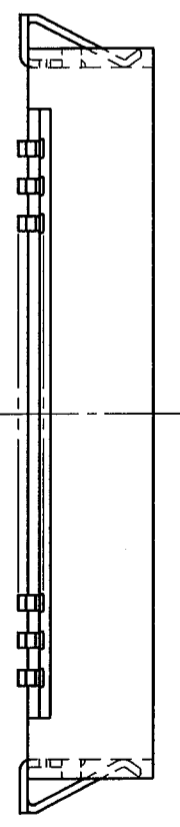
NO.	MATERIAL	FINISH, REMARKS	NO.	MATERIAL	FINISH, REMARKS
3	PHOSPHOR BRONZE	TIN PLATED (HOT-DIP) 1μm min.	7	PS	PLASTIC REEL, BLACK
2	PHOSPHOR BRONZE	TIN PLATED (REFLOW FINISHED) 1μm min.	6	POLYIMIDE	BROWN (HEAT-RESISTANT TAPE)
1	POLYAMIDE	BEIGE, UL94V-0	5	POLYESTER	CLEAR (COVER TAPE)
			4	PS	CLEAR (EMBOSSED CARRIER TAPE)

CODE NO. (OLD)	DRAWN	DESIGNED	CHECKED	APPROVED	RELEASED
	<i>J. Mochida</i>	<i>A. Takahashi</i>	<i>T. Sakata</i>	<i>T. Sakata</i>	
		05.1.11	05.1.12	05.1.12	

DRAWING NO.	PART NO.
EDC3-160302-01	DF9MA-31P-1V(32)

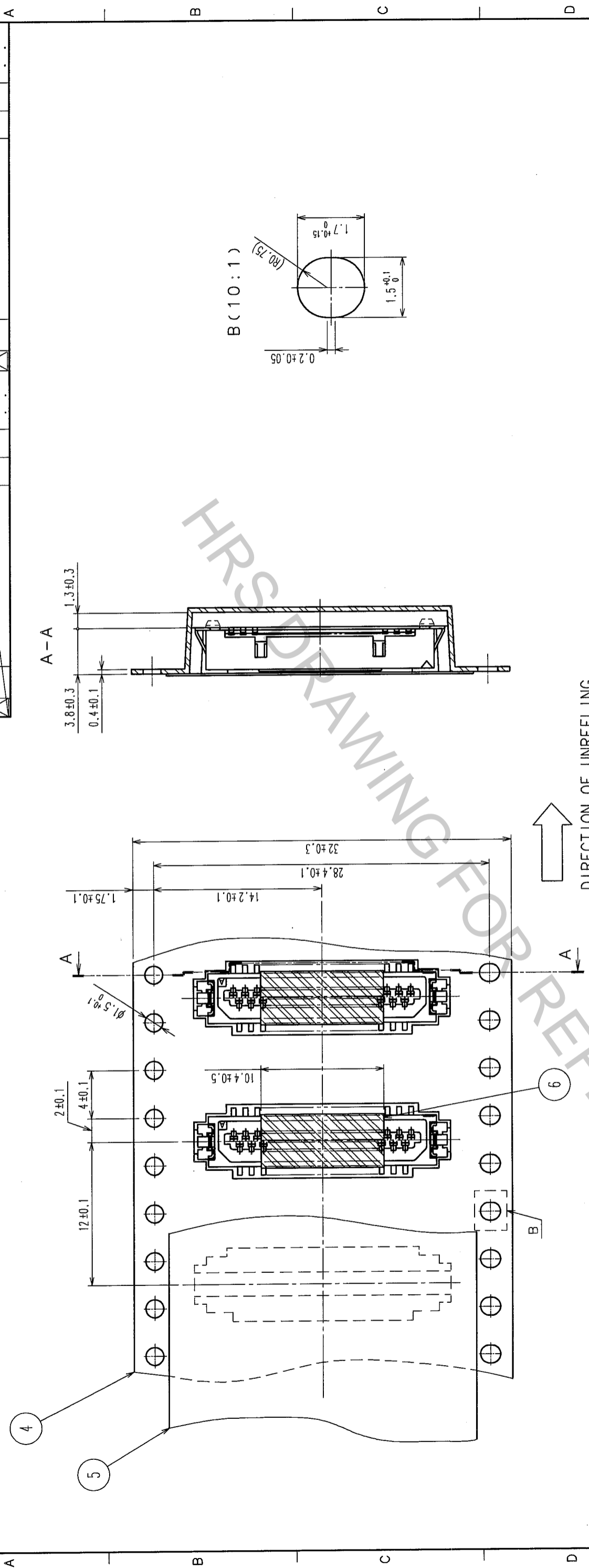
SCALE	UNITS
5 : 1	mm

CODE NO.
CL540-0218-5-32

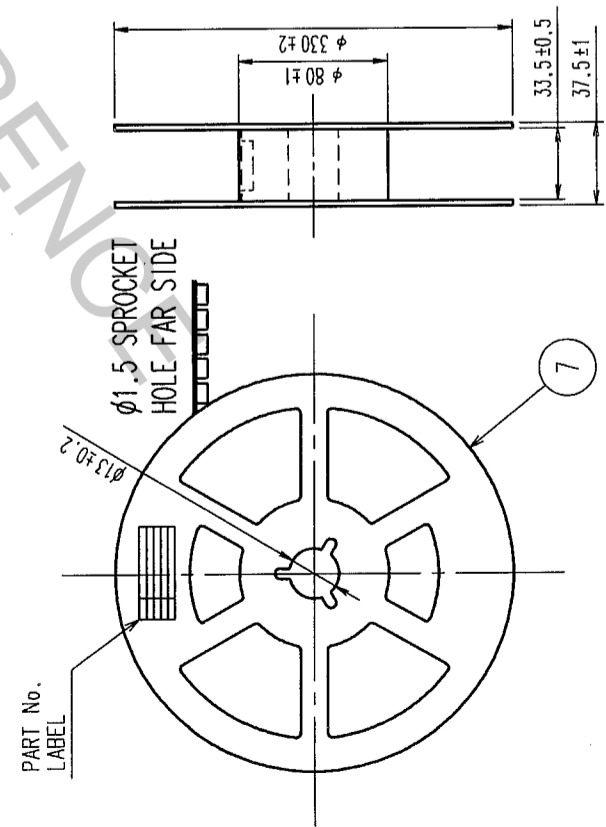


TO

COUNT	DESCRIPTION OF REVISIONS	BY	CHKD	DATE	DESCRIPTION OF REVISIONS	BY	CHKD	DATE
△								
△								
△								



STYLE AND DIMENSION OF REEL



SUPPLIER QUANTITY PART NO. CODE NO. DATE OF MANUFACTURED

4>DETAIL OF PART NO. LABEL

生産月日	*** ** *
図番	CL540-0218-5-32
品名	DF9MA-31P-1V(32)
納入数量	1000K0
納入者	ヒロセ電機株式会社

NOTES 2: 1 REEL:1000 CONNECTORS.
 3: AT THE BEGINNING OF THE REEL, 30 COMPONENTS SHALL BE EMPTY.
 AT THE END OF THE REEL,20 COMPONENTS SHALL BE EMPTY.
 4> DETAIL OF PART NO. LABEL IS WRITTEN IN JAPANESE.

CODE NO. (OLD)	DRAWN	DESIGNED	CHECKED	APPROVED	RELEASED
	G. Michida	T. Sakahashi	T. Sakata	T. Sakata	
	05.1.6	05.1.11	05.1.12	05.1.12	
	DRAWING NO. EDC3-160302-01		PART NO. DF9MA-31P-1V(32)		
	SCALE FR:EE		CODE NO. CL540-0218-5-32		
	UNITS mm		HIROSE ELECTRIC CO., LTD		

TO	