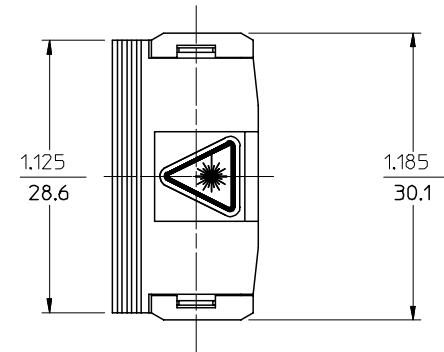
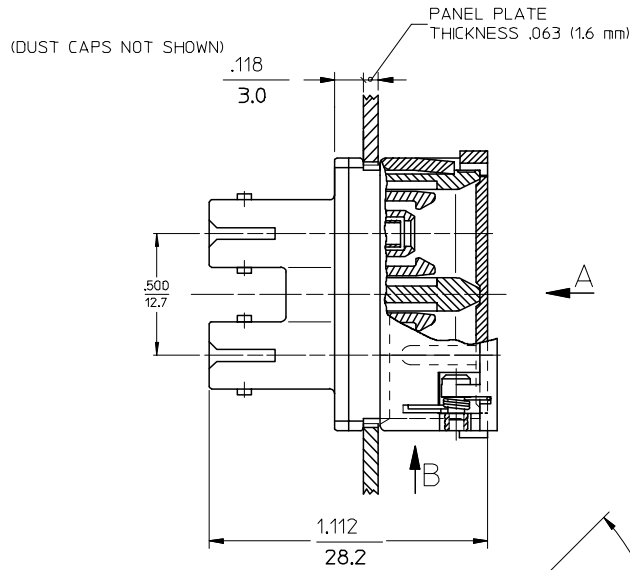
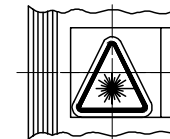
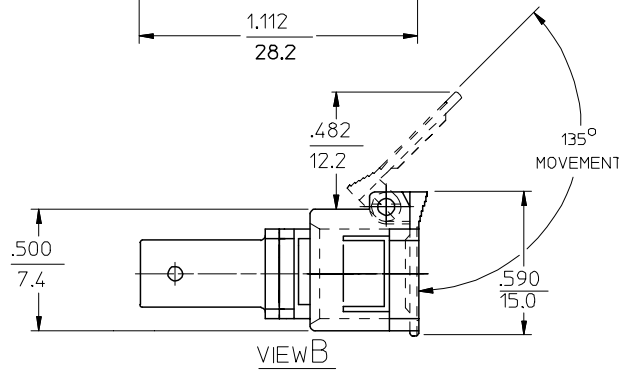


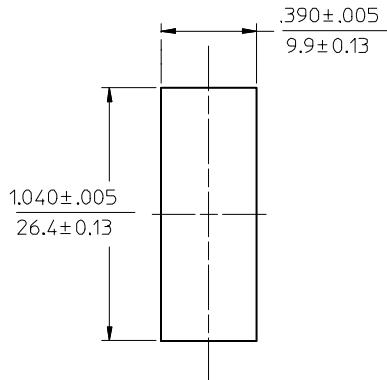
P/N OF ADAPTER	MATERIAL OF SLEEVE	TYPE	COLOR
106166-1600	ZR	SINGLE MODE	BLUE
106167-1600	PHOSPHOR BRONZE		
106166-1610	ZR	MULTIMODE	BEIGE
106167-1610	PHOSPHOR BRONZE		
106166-1630	ZR		
106167-1630	PHOSPHOR BRONZE		
106167-1620	ZR	AQUA	



VIEW A  
VARIATION 2  
FOR LABEL INSTALLATION



VIEW A  
VARIATION 1  
FOR LABEL INSTALLATION



RECOMMENDED MOUNTING PATTERN (SHIELD NOT SHOWN)

- NOTES:  
 1. LABEL MUST BE INSTALLED AND ORIENTED BY CUSTOMER. (SEE VIEW A)  
 2. DUST CAPS ARE NOT SHOWN BUT INCLUDED.

ENTER DESCRIPTION EC NO: MF2006-0237 DRW: NPG/BLIN 2005/11/29 CHKD: 2005/11/29 APPR: IGUMIN 2005/11/29	QUALITY SYMBOLS ▽=0 ▽=0	GENERAL TOLERANCES (UNLESS SPECIFIED)		DIMENSION STYLE	SCALE	DESIGN UNITS	THIRD ANGLE PROJECTION	
		mm	INCH	IN/MM	4:1	INCH		
		4 PLACES ± --- ± ---		DRAWN BY	DATE	TITLE		
		3 PLACES ± --- ± ---		RPACIFICI	2005/10/11	SC-ST DUPLEX ADAPTER WITH SHIELD		
2 PLACES ± --- ± ---		CHECKED BY	DATE	MOLEX INCORPORATED				
1 PLACE ± --- ± ---		APPROVED BY	DATE	MATERIAL NO. SEE TABLE				
ANGULAR ±1/2°		DRAFT WHERE APPLICABLE MUST REMAIN WITHIN DIMENSIONS		DOCUMENT NO. SD-10616X-16X0		SHEET NO. 1 OF 1		
				THIS DRAWING CONTAINS INFORMATION THAT IS PROPRIETARY TO MOLEX INCORPORATED AND SHOULD NOT BE USED WITHOUT WRITTEN PERMISSION				