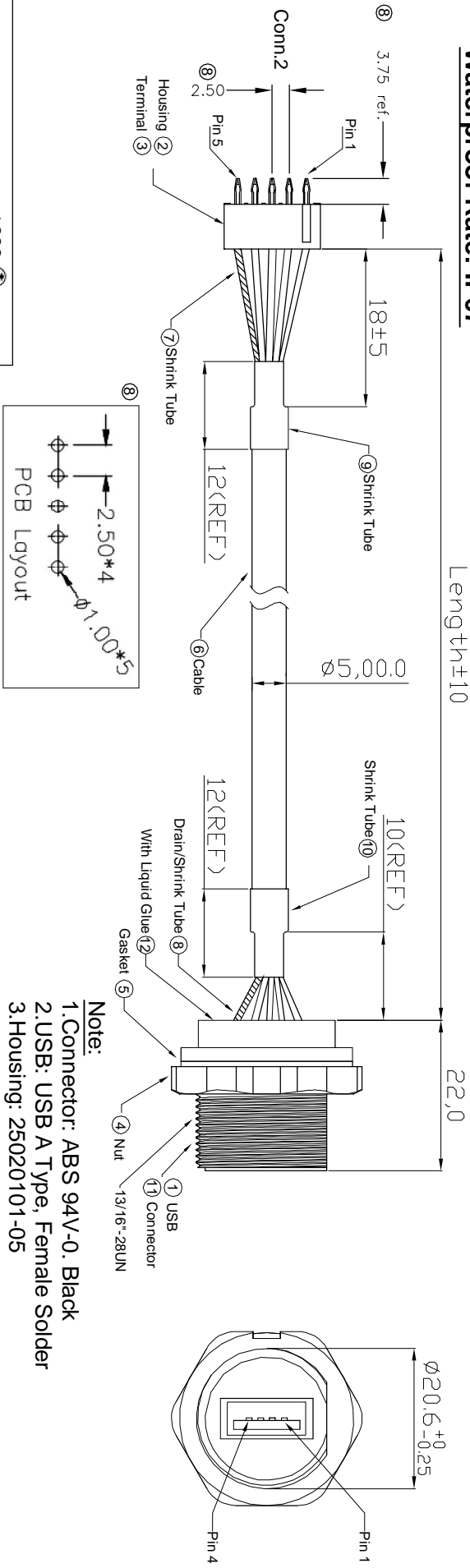


1	2	3	4	5	6	7
---	---	---	---	---	---	---

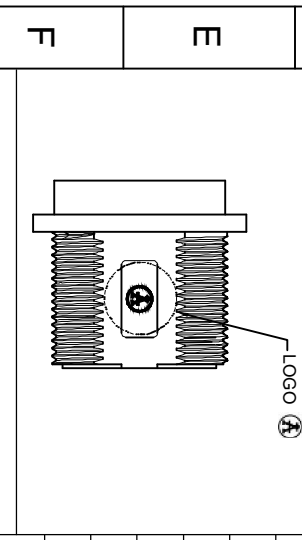
USB 2.0 COMPLIANT
Waterproof Rate: IP67

④ Length±10



Note:

1. Connector: ABS 94V-0. Black
2. USB: USB A Type, Female Solder
3. Housing: 25020101-05
4. Cable: USB2.0 28AWGX1P+24AWGX2C+AL.MY+D+B UV Resistant, Black, OD=5.0mm
- ⑤ 5. Operate temperature: -20°C ~ 80°C
- ⑥ 6. The current rating: 1.5A



5	Drain(28AWG)	Shelled
4	Black(24AWG)	4
3	Green(28AWG)	3
2	White(28AWG)	2
1	Red(24AWG)	1
Conn.2	Wire Color	Conn.1

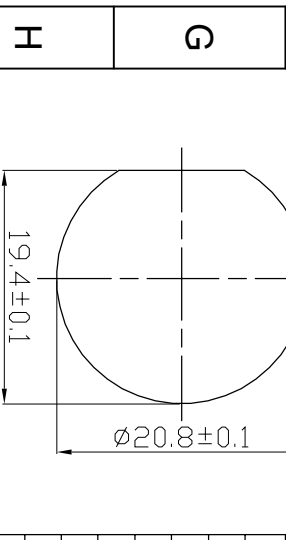
RoHS compliant

④	WSW P/N	Length
	A-USB-APFS	50 mm
	A-USB-APFS-150	150 mm
	A-USB-APFS-200	200 mm
	A-USB-APFS-250	250 mm

Scale	Free	⑨ Add current rating information	11.10.2016	Jesse		Date	Name
TOLERANCE	±0.5	⑧ Add PCB layout and pitch	27.05.2015	Joanna	Drawn	20.08.2004	Helwig
		⑦ Add operate temperature	20.03.2015	Joanna	Approved	11.10.2016	Jesse
		⑥ Add USB 2.0 compliant	27.08.2013	Ray			
		⑤ Add P/N	04.07.2013	Joanna			
		④ Update	05.04.2012	Lucas			
		③ Id.			Modification		

Pin Out

Customer-No.	
--------------	--



ASSMANN, WSW-No.	A-USB-APFS-150	A-USB-APFS-150
A-USB-APFS	A-USB-APFS-200	A-USB-APFS-200
A-USB-APFS-200	A-USB-APFS-250	A-USB-APFS-250

ASSMANN, WSW-No.	A-USB-APFS-150	A-USB-APFS-150
A-USB-APFS	A-USB-APFS-200	A-USB-APFS-200
A-USB-APFS-200	A-USB-APFS-250	A-USB-APFS-250

Customer-No.		
ASSMANN, WSW-No.	A-USB-APFS-150	A-USB-APFS-150
A-USB-APFS	A-USB-APFS-200	A-USB-APFS-200
A-USB-APFS-200	A-USB-APFS-250	A-USB-APFS-250

1	2	3	4	5	6	7
---	---	---	---	---	---	---

1	2	3	4	5	6	7
---	---	---	---	---	---	---

1	2	3	4	5	6	7
---	---	---	---	---	---	---

1	2	3	4	5	6	7
---	---	---	---	---	---	---

1	2	3	4	5	6	7
---	---	---	---	---	---	---